

# PROMAC®

07-2016

## Drill Press Säulenbohrmaschinen Perceuses à colonne

# 378VLB



CE

Schweiz / Suisse  
**JPW (TOOL) AG**  
Tämperlistrasse 5  
CH-8117 Fällanden Switzerland  
[www.promac.ch](http://www.promac.ch)

France  
**TOOL France / PROMAC**  
57, rue du Bois Chaland, Z.I. du Bois Chaland  
case postale 2935 FR-91029 Evry Cedex  
[www.promac.fr](http://www.promac.fr)

**CE-Conformity Declaration**  
**CE-Konformitätserklärung**  
**Déclaration de Conformité CE**

**Product / Produkt / Produit:**

Drill Press  
Säulenbohrmaschine  
Perceuse à colonne

†Ø

**Brand / Marke / Marque:**

**PROMAC**

**Manufacturer / Hersteller / Fabricant:**

JPW (Tool) AG, Tämperlistrasse 5, CH-8117 Fällanden  
Schweiz / Suisse / Switzerland

We hereby declare that this product complies with the regulations  
Wir erklären hiermit, dass dieses Produkt der folgenden Richtlinie entspricht  
Par la présente, nous déclarons que ce produit correspond aux directives suivantes

**2006/42/EC**

Machinery Directive  
Maschinenrichtlinie  
Directive Machines

**2014/30/EU**

electromagnetic compatibility  
elektromagnetische Verträglichkeit  
compatibilité électromagnétique

designed in consideration of the standards  
und entsprechend folgender zusätzlicher Normen entwickelt wurde  
et été développé dans le respect des normes complémentaires suivantes

**EN ISO 12100:2010**

**EN 12717:2001+A1:2009**

**EN 60204-1:2006+A1:2009**

**EN 61000-6-2:2005**

**EN 61000-6-4:2007+A1:2011**

Responsible for the Documentation / Dokumentations-Verantwortung / Responsabilité de Documentation:

Hansjörg Meier

Head Product-Mgmt. / Leiter Produkt-Mgmt. / Resp. Gestion des Produits  
JPW (Tool) AG



2016-0 -2 Alain Schmid, General Manager

JPW (Tool) AG, Tämperlistrasse 5, CH-8117 Fällanden  
Schweiz / Suisse / Switzerland

## EN – ENGLISH

### NOTE:

It is advisable for user to read this Instruction Manual in order to avoid accident.

If the operation method used in this drilling machine is the same as the method used in ordinary machine, possible hazard may occur during the process. Therefore, it is imperative that user should pay extra attention and make sure that his operating method is correct. Slight negligence to any of the safety measures will certainly cause accident to the user.

The manufacturer designed this machine especially focusing on its scheduled using scope. Therefore, it is advisable that the user should pay attention not to exceed the said using scope. Also, do not make any modification to the spare parts and structure of the machine.

If you have any question regarding and operating method of this machine and Cannot find the solution in the Instruction Manual, please contact your vendor directly.

### Correct Operation Instruction of This Machine

1. For your own safety, do not start the said machine before reading the Instruction Manual carefully. One of the necessary safety measures is to understand its operation principle and operation method first.
2. Do not alter any of the protective pieces in order to maintain its completeness
3. Plug the fan plug for power supply into the socket with earth wire. If your socket does not have an earth wire, then connect the earth terminal of this machine
4. Before starting this machine, it is imperative to take away all wrenches and latch handle not connected to the machine. Also, you should make it a habit to check the surrounding of the said machine every time before using, to see there is any small spare part around that may cause running fault (breakdown).
5. Before installing the machine, clean your working ground in order to prevent any accident occurring.
6. Do not use this machine in a highly dangerous place. Also, do not install the machine in a humid or water leaking place. During the process of work, the user should make sure to keep its working ground clean anytime.
7. Do not let any unauthorized or ignorant person or children near the said machine, and should be sure to keep a proper distance from the machine anytime.
8. Put a safety lock on the door of your working ground in order to prevent children from starting the machine.
9. Avoid overloading the machine. Also, for your own safety, be sure to abide to its using scopes.
10. Do not use the machine outside its using scope.

1. Wear proper clothes while working. Do not wear any clothes that can easily be ripped by the machine while operating, such as clothes that flutter, ordinary gloves scarf, ring, and small chain. You should also wear anti-skid shoes and hat (cap) that can fully hold in long hairs.
2. When operating this machine, you should wear a goggle and dust-proof mask anytime. Besides, make sure to abide to the related safety measures specified by the government's Bureau of Works.
3. Use a hand vice or other fixing device to fix all the spare parts for processing. Do not use your hands to fix them in order to avoid serious accident and unable to operate the said machine.
4. Stand firmly in front of this machine while working (both feet's position, body equilibrium, etc.)
5. Keep the machine and its pointed edges clean at all time in order to get the best working efficiency. Also, should follow the instructions in the Instruction Manual carefully in changing the tools, coating grease, and cleaning.
6. Before cleaning this machine or changing the tools (such as saw blade, drill), pull off the power plug first to avoid electrocution.
7. Use the tools suggested by the manufacturer of this machine while working and abide to the related instruction in the Instruction Manual, because using spare parts not related to this machine is an unsafe behavior.
8. Avoid touching the machine unintentionally. Also, before plugging in the plug into the socket, check if switch button is as **【OFF】** position or not.
9. Do not stand on the machine in order to avoid slipping down carelessly or hitting the blade and cause injury.
10. Remember to check abnormal part in the running process of the machine carefully.  
It is advisable that you should change the said part or protective piece before continuing the work.
11. Do not leave the working ground while the machine is running. It is necessary for your to leave, turn off the power and wait for the machine to stop completely before leaving.
12. Do not use this machine if you had taken any alcohol (liquor or wine), medicine, or drugs.

## 1 PARTS

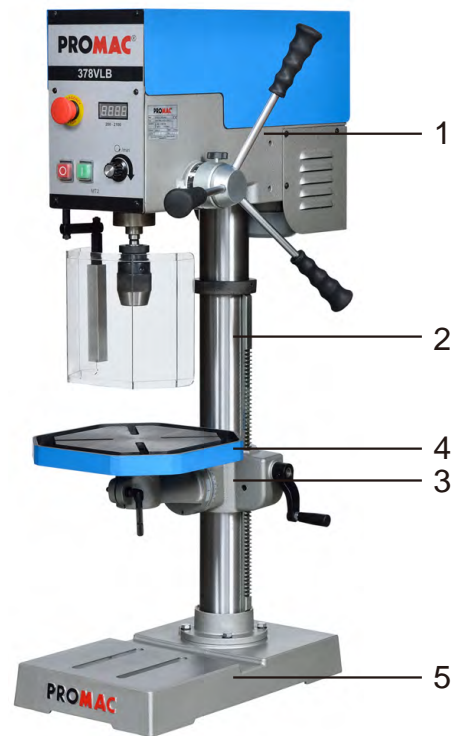
Unpack carton, check your machine to see parts listed below:

### A. Main Parts:

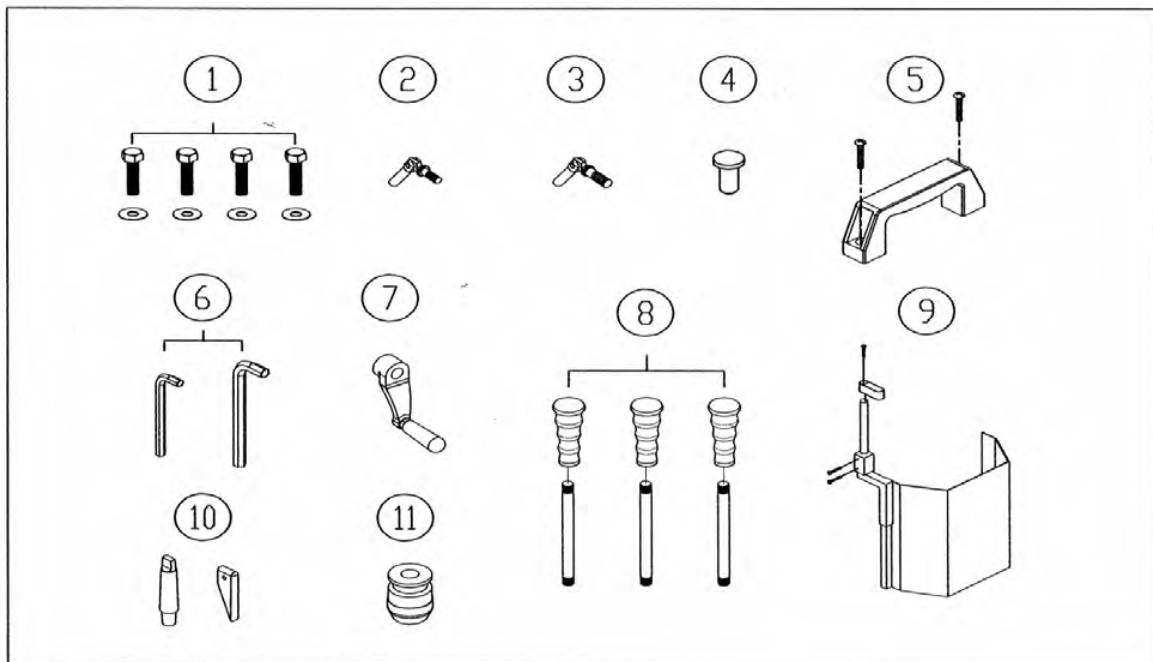
- |                             |       |
|-----------------------------|-------|
| 1. Head assembly            | 1 pc  |
| 2. Column with flange       | 1 pc  |
| 3. Arm of table and bracket | 1 set |
| 4. Table                    | 1 pc  |
| 5. Base                     | 1 pc  |

### B. Accessories

- |                               |        |
|-------------------------------|--------|
| 1. Screw & washer             | 4 sets |
| 2. Clamp bolt ( Table arm )   | 1 pc   |
| 3. Clamp bolt (Table bracket) | 1 pc   |
| 4. Knob (Pulley cover)        | 1 pc   |
| 5. Bow-shaped handle          | 1 pc   |
| 6. Allen key ( 3mm, 5mm )     | 2 pcs  |
| 7. Height adjusting handle    | 1 pc   |
| 8. Feeding handle & knob      | 3 sets |
| 9. Chuck guard                | 1 pc   |
| 10 Arbor & wedge              | 2 pcs  |
| 11. Chuck                     | 1 pc   |



Note: If you find and parts missing or damaged, contact thr dealer for exchange or replacement



## II. ASSEMBLY

---

### 1. Assembly the Column

- \* Place column assembly on base and align holes in column support with holes in base.
- \* Secure the column with four or three bolts and washers provided.



Fig. 1

### 2. Install table bracket

- 2-1 Take off collar and rack
- 2-2 Install table bracket together with rack. Fig. 2.



Fig. 2

### 3. Install bracket handle and clamp bolt. Fig. 4-5



Fig.3

### 3. Griff der Halterung und Befestigungsschraube installieren (Abb. 4-5)

Fix handle with attached set screw.



Fig.4

Install clamp bolt to fix table bracket.



Fig.5

4. Install table and clamp with bolt. Fig. 6

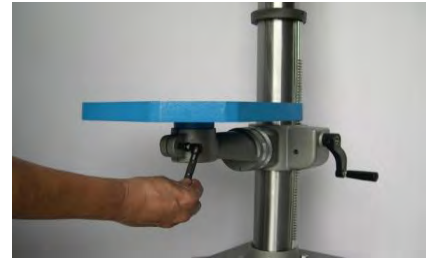


Fig.6

5. Attach the Head Assembly

\* Carefully put the head assembly over column and slide it onto column into position. Align head frame with table and base.

\* Fix set screws in right side of head to lock head into position then tighten with allen wrench. Fig. 7



Fig.7

6. Install the Feeding Handles.

\* Screw knob on each feeding handle, install them into hub of pinion shaft. Fig. 8



Fig.8

7. Attach the Arbor and Chuck

7-1 Insert arbor into spindle first. Pull feeding handle down to press arbor inward. Fig.9

7-2 Open chuck jaws completely by turning attached chuck key counter clockwise to the end. Put a piece of scrap wood on the table to protect chuck nose.

7-3 Install chuck to the arbor tightly. Fig.10



Fig.9

8. Install knob and screw of upper pulley cover. Fig.11



Fig.11



Fig.10



### III ADJUSTMENT

#### 1. Table Adjustment

##### A. Height Adjustment

To adjust up or down, loosen the clamp bolt then adjust the table to your desired position by swing the table bracket handle.

Fig. 12

Table bracket handle

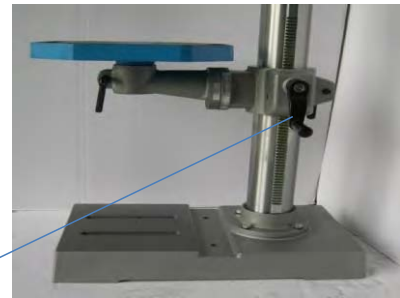


Fig. 12

##### B. Tilting Adjustment:

Loosen the table bevel lock bolt with adjustable wrench. Tilt table to desired angle and retighten the bolt. Fig. 13

Lock nut

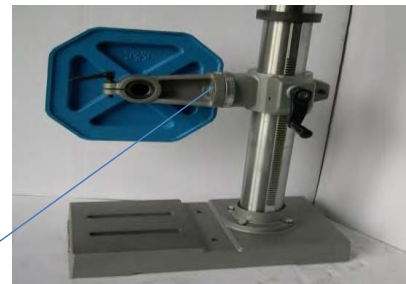


Fig. 13

##### C. Swing 360 °

Loosen clamp bolt then swing table to appropriate position and retighten clamp bolt. Fig. 14

Clamp bolt



Fig.14

#### 2. Feed Depth Adjustment

2-1 Depth control scale sleeve type Loose the clamp bolt and move to the desired depth then retighten the clamp bolt. Fig. 15-1, 15-2



Fig.15-2



Fig.15-1



### 3. Speed Adjustment

- 3-1 1. Open the pulley case and 1 the belt tension lock handle.
2. Choose speed for drilling operation and move belt to correct position for desired speed.
3. Push motor backward until moderate belt tension is acquired. Then retighten the lock handle.

Fig 16



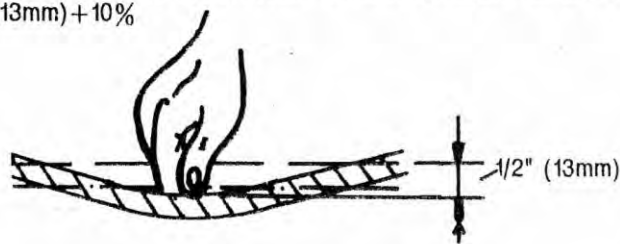
Fig.16

The proper drill speed for a given drill bit size is as on following table:

Size		Cast steel		Tool steel		Cast iron		Mild steel		Alum. & copper	
		Cutting speed									
Diameter		m/min	ft/min	m/min	ft/min	m/min	ft/min	m/min	ft/min	m/min	ft/min
		12	40	18	60	24	80	30	100	60	200
mm	inch	Cutting speed revolution per minute									
2	1/16	1910	2445	2865	3665	3820	4890	4775	6110	9550	12225
3	1/8	1275	1220	1910	1835	2545	2445	3185	3055	6365	6110
5	3/16	765	815	1145	1220	1530	1630	1910	2035	3820	4075
6	1/4	610	610	955	915	1275	1220	1590	1530	3180	3055
8	5/16	480	490	715	735	955	980	1195	1220	2390	2445
10	3/8	380	405	570	610	765	815	955	1020	1910	2035
11	7/16	350	350	520	525	700	700	870	875	1740	1745
13	1/2	300	305	440	460	590	610	735	765	1470	1530
16	5/8	240	245	360	365	480	490	600	610	1200	1220
19	3/4	190	205	285	305	380	405	480	510	955	1020

### 4. Belt Tension Adjustment

For proper belt tension : Use 10 lbs pressure or hand pressure on the belt as shown below. The distance is 1/2" (13mm) + 10%



## BEDIENPANEL

---



### Operation

1. This machine is equipped with a 2 HP 180V DC collector motor. The voltage is 230V and this is stepped up to 180V DC in the machine.
2. The motor is fitted exceeds 15A a warning single will be heard and the machine should be stopped immediately. Stop work and wait a few seconds until the signal stops. It is then safe to resume work. If you continue work instead of stopping and waiting, thee machine will stop automatically after 2 seconds. In this case you will need to start the machine again.
3. Spindle speed is from 200 to 2100 rpm. The re- gulator for adjusting and setting the speed is easily accessible on the front panel.
4. Replacing the belt or adjusting the belt tension.
  - Open the cover above the belt pulleys. Use a screwdriver to remove the screw on the front of the cover and open the cover as much as possible.
  - The motor is fixed in place with 2 nuts (item no. 37). Lossen these.
  - Adjusting belt tension  
Use a spanner to tighten or loosen the bolt (item no. 43 ) to achieve the correct tension.
  - Belt replacement  
Use a spanner to loosen the bolt (item no.43) and release the belt tension. Replace the belt.  
Set the correct belt tension by tightening the bolt.
  - After adjusting the belt tension or replacing the belt, tighten the 4 nuts on the motor.
  - Close the cover over the belt pulleys and fasten it with the original screws.
5. Motor service
  - The motor is a 2 HP 180DC model.
  - The motor has 2 carnob brushes with a lifespan of 1,000 working hours.Always replace both at the same time when the motor output is low.

### **Special Safety Rules For Drill Press:**

1. Caution : This drill press is intended for use only with drill bits. This use of other accessories may be hazardous.
2. Correct drilling speeds : Factors which determine the best speed to use in any drill press operation are :Kind of material being worked, size of hold, type of drill or other cutter, and quality of cut desired. The smaller the drill, the greater the required RPM. In soft materials, the speed should be higher than for hard metals.
3. Drilling in metal: Use clamps to hold the work when frilling in metal. The work should never be held in there bare hand, the flutes of the drill may seize the work at any time, especially when breaking through the stock. If the piece is whirled out of the operator's hand, he may be injured, in any case, the drill will be broken when the work strikes the column.
4. The work must be clamped firmly while drilling : Any tilting, twisting, or shifting results not only in a rough hold, but also increases drill breakage. For flat work, lay the piece on a wooden base and clamp it firmly down against the table to prevent it from turning. If the piece is of irregular shape and cannot be laid flat in the table, it should be securely blocked and clamped.
5. The chuck shall be securely fastened to the spindle and so that it can't separate from spindle.
6. Remove Key from chuck after adjustment.
7. The tool is to be disconnected from the power supply while the motor is being mounted, connected or reconnected.
8. Secure the tool to the supporting structure if, during normal operation, there is any tendency for the tool to tip over, slide, or walk on the supporting surface.
9. The set screws of head frame should be screwed tightly before suing this machine.
10. Connect to a supply circuit protected by a circuit breaker or time delay fuse.
11. Fasten base to floor or worktable before using the drill press.

### **VII. Important Notice For CE**

#### **Handling of Machine**

1. The total weight of this machine must be ensured before handling.
2. It is better to handle this machine with the help of lifting tools.

#### **Environment Requirements for Installation**

1. Be sure to provide sufficient light for operation according to the codes or regulations published for local area. If you do not get the information about lighting, a light intensity of 300 Lux is the least value to be supplied.
2. The place where machine install must be flat and big enough for the operation.

#### **Noise Level**

1. The noise level of this machine is about 75 db(A)during operation.
2. While taking provisions for the risk of noise, the noise level of working environment should be taken into consideration also.

## VII Electric

---

### ELECTRICAL CONNECTION/DISCONNECTION & OPERATION

#### **For three phase :**

##### **1. Electrical connection:**

1. A cable with four wires is equipped to connect your machine into the 3 phase power supply.  
**Please connect your machine into the power supply with hand-operated disconnecting device**, which is in compliance with subclause 5.3 of EN 60204-1, such as on fuse breaker or plug/socket combination.
2. For the protection of control device, we recommend the operation to supply **a fuse with 6 A current rating of fuse**, and the total length between fuse and connection terminal shall not exceed 1.5m.
3. The **exact power source voltage, frequency, and number of phase** shall be checked according to the installation diagram and circuit diagram.
4. The correct direction of drilling press should be checked after connecting.

##### **2. Electrical disconnection:**

1. The disconnection is carried out by hand-operated disconnection device.
2. Be sure to disconnect this machining from power source, when you want to stop the job, Maintenance, and adjustment.

##### **3. Grounding**

The grounding of the drilling press is carried out **by connecting the Yellow/Green terminal of supply cable** to the grounding terminal of power source. Be sure to ground your machine before connecting machine to power source in any situation.

#### **WARNING !**

**Do not disconnect grounding terminal before disconnecting power source.**

#### **For single phase :**

1. The connect, disconnection, and grounding is carried out through the plug, equipped on the drilling press. For the safety reason, **Do not change this plug into any the other type in any situation.**
2. For the protection of control device, we recommend the operated to supply **a fuse with 6 A current rating of fuse**, and the total length between buse and connection terminal shall not exceed 1.5m.
3. The **exact power source voltage, frequency, and number of phase** shall be checked according to the installation diagram and circuit diagram.

#### **Operation:**

1. "**START**" : Push the button marked with " **I** ".
2. "**STOP**": Push the button marked with " **O** ".
3. "**Interlock Switch**": Limit switch in the pulley cover.

#### **WARNING !**

Do not stop machine with interlock switch in normal operation.

## DE – DEUTSCH

### HINWEIS:

Bitte lesen Sie die vorliegende Bedienungsanleitung sorgfältig durch und beachten alle hierin enthaltenen Sicherheits- und Vorsichtsmaßnahmen, um Unfälle zu vermeiden.

Bei Anwendung von Betriebsmethoden, wie sie auf anderen Maschinen üblich sind, auf dieser Säulenbohrmaschine kann es während des Bearbeitungsprozesses zu Unfällen, Kollisionen usw. kommen. Daher muss der Bediener stets sorgfältig darauf achten, dass Betriebs- und Bearbeitungsmethoden dem bestimmungsmäßigen Gebrauch gemäß den Vorschriften in diesem Handbuch entsprechen. Bei auch nur geringfügiger Abweichung von den vorgeschriebenen Sicherheitsmaßnahmen kann es zu schwerwiegenden Unfällen mit Personen- und Sachschäden in Folge kommen.

Der Hersteller gewährleistet Sicherheit und zugesicherte Eigenschaften dieser Maschine nur unter Einhaltung ihres bestimmungsgemäßen Gebrauchs. Es obliegt daher dem Betreiber/Bediener der Maschine, alle Vorschriften und Maschinenspezifikationen einzuhalten und zu beachten. Zudem sind jegliche Änderungen an Maschinenaufbau und Zubehör untersagt.

Bei Fragen bezüglich Betriebsmethoden dieser Maschine wenden Sie sich bitte direkt an Ihren zuständigen Händler, sollten Sie Antworten auf die Fragen nicht in dieser Bedienungsanleitung finden.

### Anweisungen für den korrekten Maschinenbetrieb

1. Lesen Sie im Sinne Ihrer eigenen Sicherheit die Bedienungsanleitung vor Start des Maschinenbetriebs sorgfältig durch. Ein umfassendes Verständnis des Arbeitsprinzips und der Betriebsmethoden der Maschine ist wesentlicher Bestandteil der Sicherheitsmaßnahmen.
2. Alle Schutzvorrichtungen der Maschine dürfen weder manipuliert noch in irgendeiner Weise geändert werden, um ihre Integrität nicht zu beeinträchtigen.
3. Schließen Sie den Netzstecker des Lüfters an eine geerdete Stromquelle an. Ist Ihre Netzsteckdose nicht mit Schutzleiter versehen, muss der Anschluss an die Masseklemme dieser Maschine erfolgen.
4. Vor Start der Maschine müssen alle nicht für den Maschinenbetrieb erforderlichen Werkzeuge (Schraubenschlüssel, Griffe usw.) entfernt werden. Überprüfen Sie die Maschinenumgebung zudem vor dem Start routinemäßig auf zurückgebliebene kleine Ersatz- und andere Teile, die zu Kollisionen und Ausfall der Maschine führen können.
5. Vor Installation der Maschine muss die Arbeitsumgebung gründlich gereinigt werden, um Unfälle mit Personen- und Sachschäden zu vermeiden.
6. Der Einsatz der Maschine in gefährlicher Umgebung - gleich aus welchem Grund - ist strikt untersagt. Der Aufstellort der Maschine muss frei von Luftfeuchte und eindringendem Wasser sein. Auch während der Bearbeitung muss die Arbeitsumgebung stets sauber gehalten werden.
7. Gestatten Sie den Aufenthalt unbefugter Personen nicht in Maschinennähe und halten Sie selbst stets ausreichenden Abstand zur Maschine und ihren beweglichen Teilen.
8. Versehen Sie den Zugang zum Arbeitsbereich mit einem Sicherheitsschloss, um unbefugten Personen den Zutritt und potenziellen Start der Maschine zu verwehren.
9. Jegliche Überschreitung der max. Spezifikationen der Maschine ist unzulässig. Die Einhaltung aller Sicherheitsvorschriften, Grenzwerte usw. liegt in Ihrem eigenen Sicherheitsinteresse.
10. Die Maschine darf nur für den bestimmungsgemäßen Gebrauch verwendet werden.

1. Während aller Arbeiten ist geeignete persönliche Schutzausrüstung zu tragen. Das Tragen von loser Kleidung, Ketten und Ringen (Schmuck im Allgemeinen) sowie anderer in beweglichen Maschinenteilen verfänglicher Gegenstände ist untersagt. Das Tragen von Sicherheitsschuhen und Kappen/Schutzhelmen ist ebenfalls vorgeschrieben; offene lange Haare sind strikt untersagt.
2. Während des Maschinenbetriebs ist das Tragen von Schutzbrille und staubdichter Maske vorgeschrieben. Zudem sind alle lokalen/regionalen arbeitsschutzrechtlichen Sicherheitsmaßnahmen einzuhalten.
3. Verwenden Sie einen manuellen Spannstock oder andere Spannvorrichtung für das Aufspannen aller Zubehörteile für die Bearbeitung.  
Bei Aufspannen mit bloßer Hand kann es anderfalls zu schwerwiegenden Verletzungen kommen.
4. Sorgen Sie bei Arbeiten an der Maschine für festen Stand (beide Füße fest auf dem Boden, Körper im Gleichgewicht usw.).
5. Halten Sie Maschine und spitze Kanten usw. stets sauber, um bestmögliche Arbeitseffizienz zu erzielen. Befolgen Sie außerdem genau alle Anweisungen bezüglich Werkzeugwechsel, Schmierung (Fett, Öl) und Reinigung in der Bedienungsanleitung.
6. Vor Reinigen dieser Maschine oder Auswechseln von Werkzeugen (wie z.B. Sägeblatt, Bohrer usw.) muss zuerst der Netzstecker gezogen und die Maschine vom Netz getrennt werden, um die Gefahr von Stromschlägen zu vermeiden.
7. Verwenden Sie ausschließlich die vom Maschinenhersteller vorgeschriebenen Werkzeuge für Arbeiten an der Maschine und beachten alle in der Bedienungsanleitung enthaltenen Sicherheits- und anderen Vorschriften, da z.B. die Verwendung anderer als der vorgeschriebenen Zubehör- und Ersatzteile als unsicheres Verhalten gilt und zu Ausschluss der Garantie sowie Unfällen führen kann.
8. Jede unbeabsichtigte Berührung der Maschine ist verboten. Vor Anschluss an das Stromnetz muss sichergestellt werden, dass der Netzschalter an der Maschine ausgeschaltet ist = **【OFF】** .
9. Das Besteigen der Maschine ist untersagt, da es andernfalls durch Ausrutschen und durch Kontakt mit dem Sägeblatt usw. zu schweren Verletzungen kommen kann.
10. Während der Bearbeitung muss die Maschine kontinuierlich auf Unregelmäßigkeiten, unrund laufende Teile usw. überprüft werden.  
Anormale Teile bzw. defekte Teile mit Schutzfunktion müssen vor Fortsetzung des Betriebs ausgewechselt werden.
11. Verlassen Sie nie den Arbeitsbereich bei laufender Maschine. Vor dem Verlassen schalten Sie die Stromversorgung aus und warten, bis die Maschine vollständig abgestoppt hat.
12. Der Betrieb der Maschine unter Alkohol und/oder Drogen, Medikamenten usw. ist bei Strafe untersagt.

## I AUSPACKEN UND ÜBERPRÜFEN AUF VOLLSTÄNDIGKEIT

Packen Sie Ihre Maschine aus und überprüfen sie anhand der folgenden Teileliste auf Vollständigkeit:

### A. Hauptteile:

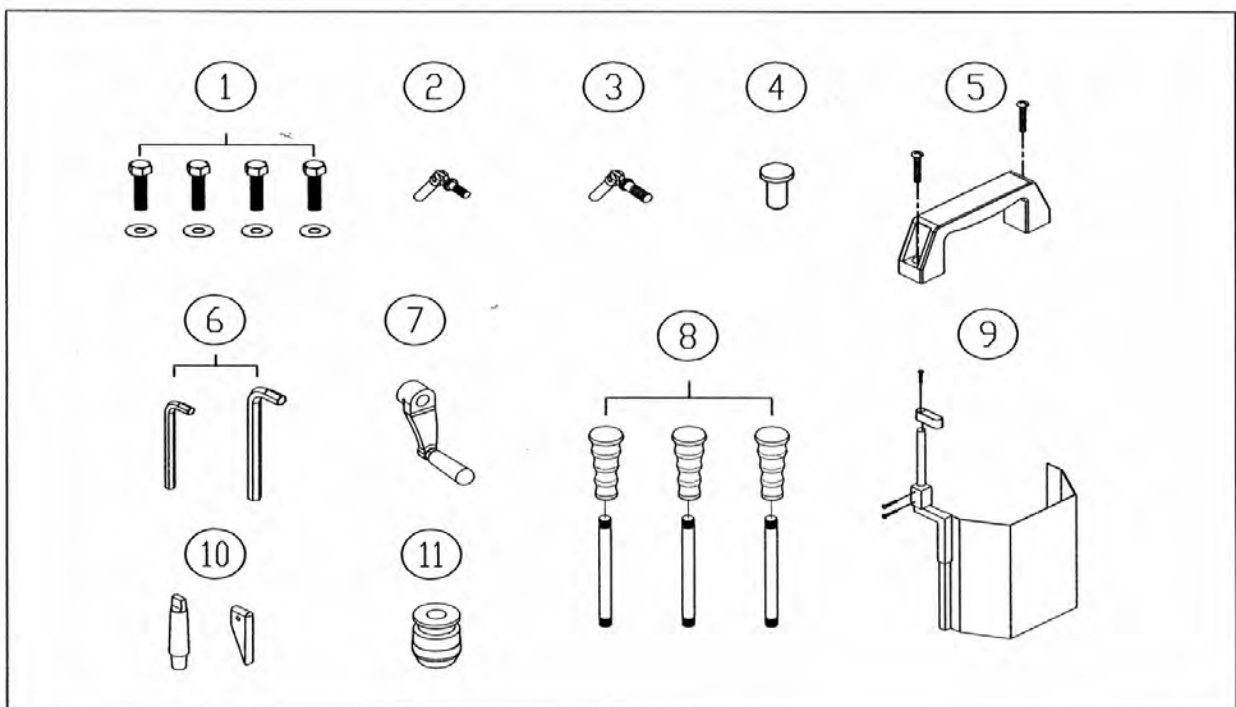
- |                                |         |
|--------------------------------|---------|
| 1. Kopfbaugruppe               | 1 Stck. |
| 2. Säule mit Flansch           | 1 Stck. |
| 3. Bohrtischarm und -halterung | 1 Satz  |
| 4. Bohrtisch                   | 1 Stck. |
| 5. Standfuß                    | 1 Stck. |

### B. Zubehör

- |   |         |
|---|---------|
| 1. Schraube & Unterlegscheibe                     | 4 Sätze |
| 2. Befestigungsschraube ( Bohrtischarm )          | 1 Stck. |
| 3. Befestigungsschraube ( Bohrtischhalterung )    | 1 Stck. |
| 4. Knopf (Scheibenabdeckung)                      | 1 Stck. |
| 5. Bügelgriff                                     | 1 Stck. |
| 6. Innensechskantschlüssel ( 3mm, 5mm )           | 2 Stck. |
| 7. Kurbel für Höhenverstellung                    | 1 Stck. |
| 8. Verstellhebel & -knopf für Maschinenzustellung | 3 Sätze |
| 9. Spritzschutzabdeckung                          | 1 Stck. |
| 10. Dorn & Keil                                   | 2 Stck. |
| 11. Futter  | 1 Stck. |



Hinweis: Bei fehlenden oder defekten Teilen kontaktieren Sie bitte umgehend Ihren Händler bezüglich Neulieferung/Austausch.





## II. MONTAGE

---

### 1. Säule montieren

- \* Die Säule auf dem Standfuß platzieren und die Bohrungen im Säulenfuß mit den Bohrungen im Standfuß ausrichten.
- \* Die Säule mit den vier oder drei mitgelieferten Schrauben und Unterlegscheiben auf dem Fuß befestigen.



Abb. 1

### 2. Halterung des Bohrtisches anbringen

- 2-1 Bund und Gestell entfernen.
- 2-2 Tischhalterung zusammen mit Gestell installieren. Abb. 2.



Abb. 2

- 2-3 Bund montieren und fest anziehen. Abb.3



Abb.3

### 3. Griff der Halterung und Befestigungsschraube installieren (Abb. 4-5)

Griff mit zugehöriger Stellschraube sichern.



Abb.4

Befestigungsschraube zum Fixieren der Tischhalterung einsetzen.



Abb.5

#### 4. Bohrtisch installieren und mit Schraube sichern ( Abb. 6)



Abb.6

#### 5. Kopfbaugruppe montieren

\* Kopfbaugruppe präzise auf die Säule setzen und entlang der Säule nach unten in Position schieben. Rahmen der Kopfbaugruppe mit Bohrtisch und Standfuß ausrichten.

\* Kopf mit Stellschrauben rechts am Kopf fixieren, dann Schrauben mit Innensechskantschlüssel anziehen. Abb. 7



Abb.7

#### 6. Griffe für die Maschinenzustellung installieren

\* Knopf auf jeden Griff schrauben und Griffe in die Nabe an der Ritzelwelle einsetzen. Abb. 8



Abb.8

#### 7. Dorn und Bohrfutter montieren

7-1 Zuerst den Dorn in die Spindel einsetzen. Verstellgriff nach unten ziehen, um den Dorn nach innen zu drücken. Abb.9

7-2 Bohrfutterbacken durch Drehen des montierten Futterschlüssels bis zum Anschlag in Gegenuhrzeigerrichtung ganz öffnen. Ein Stück Holz zum Schutz des Bohrfutterkopfes auf dem Tisch platzieren.

7-3 Spannfutter sicher auf dem Dorn montieren. Abb.10



Abb.9

#### 8. Knopf und Schraube der oberen Riemenscheibenabdeckung installieren (Abb.11)



Abb.11



Abb.10

### III EINSTELLUNG

#### 1. Einstellung des Bohrtisches

##### A. Höhenverstellung des Bohrtisches

Für die Höhenverstellung des Tisches nach oben und unten wird die Klemmschraube gelöst und der Tisch dann durch Drehen der Kurbel an der Tischhalterung in die gewünschte Position gebracht. Abb. 12

Kurbel zur Höhenverstellung  
des Tisches

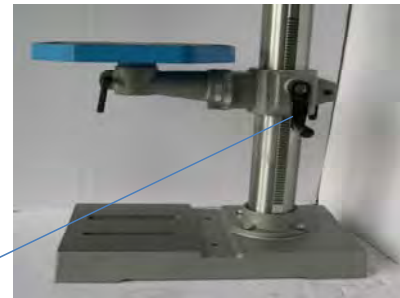


Abb. 12

##### B. Verstellung der Tischneigung:

Sicherungsschraube für die Neigungsverstellung des Bohrtisches mit verstellbarem Schraubenschlüssel lösen. Tisch in die gewünschte Position neigen und Schraube wieder anziehen. Abb. 13

Sicherungsmutter

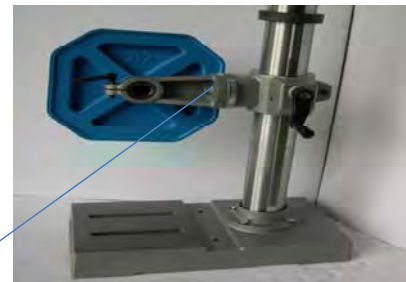


Abb. 13

##### C. 360°-Schwenk um die Tischachse

Klemmschraube lösen und Bohrtisch in die erforderliche Position schwenken, dann Klemmschraube wieder anziehen. Abb. 14

Klemmschraube



Abb.14

#### 2. Einstellung der Zustelltiefe

##### 2-1 Skala - Tiefeneinstellung (mit Skalenhülse)

Klemmschraube lösen, auf die gewünschte Tiefe einstellen und Klemmschraube wieder anziehen. Abb. 15-1, 15-2



Abb.15-2



Abb.15-1

### 3. Einstellung der Drehzahl

- 3-1
1. Gehäuseabdeckung der Riemenscheibe öffnen und Arretierhebel für die Einstellung der Riemen Spannung lösen.
  2. Drehzahl für Bohrbetrieb wählen und Riemenposition auf die gewählte Drehzahl einstellen.
  3. Motor so weit nach hinten schieben, dass eine mäßige Riemen Spannung erreicht ist. Anschließend wird der Arretierhebel wieder angezogen. Abb.16



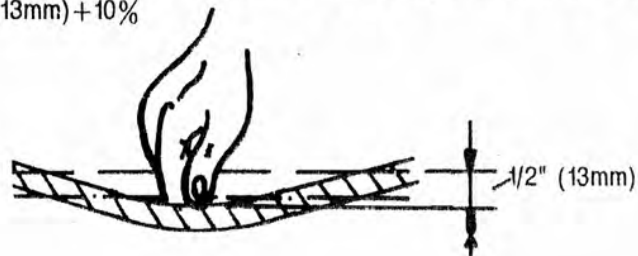
Abb.16

Die korrekte Bohrdrehzahl für die verschiedenen Bohrergrößen finden Sie in der nachfolgenden Tabelle:

Size		Cast steel		Tool steel		Cast iron		Mild steel		Alum. & copper	
		Cutting speed									
Diameter		m/min	ft/min	m/min	ft/min	m/min	ft/min	m/min	ft/min	m/min	ft/min
		12	40	18	60	24	80	30	100	60	200
mm	inch	Cutting speed revolution per minute									
2	1/16	1910	2445	2865	3665	3820	4890	4775	6110	9550	12225
3	1/8	1275	1220	1910	1835	2545	2445	3185	3055	6365	6110
5	3/16	765	815	1145	1220	1530	1630	1910	2035	3820	4075
6	1/4	610	610	955	915	1275	1220	1590	1530	3180	3055
8	5/16	480	490	715	735	955	980	1195	1220	2390	2445
10	3/8	380	405	570	610	765	815	955	1020	1910	2035
11	7/16	350	350	520	525	700	700	870	875	1740	1745
13	1/2	300	305	440	460	590	610	735	765	1470	1530
16	5/8	240	245	360	365	480	490	600	610	1200	1220
19	3/4	190	205	285	305	380	405	480	510	955	1020

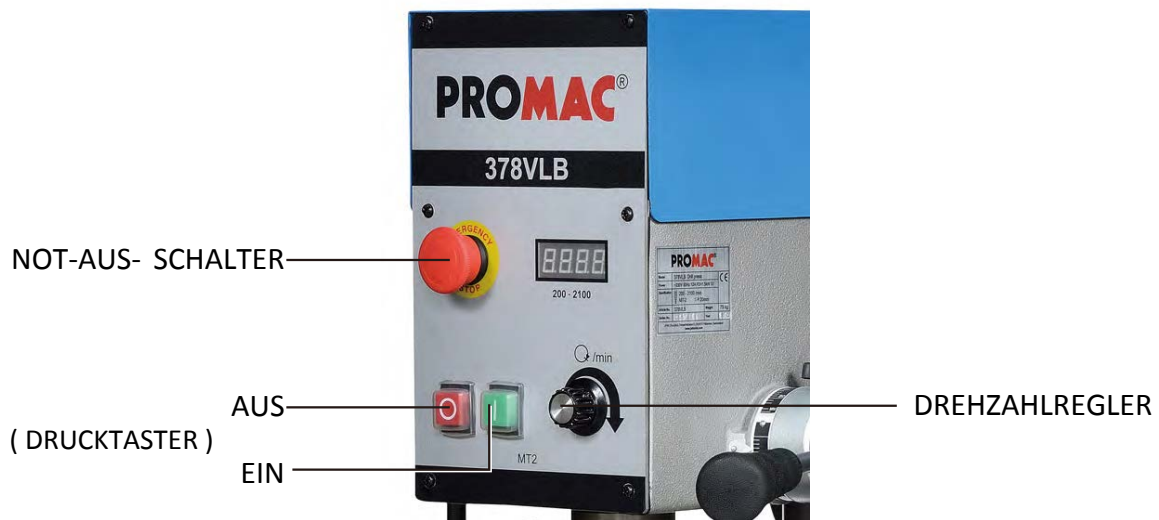
### 4. Belt Tension Adjustment

For proper belt tension : Use 10 lbs pressure or hand pressure on the belt as shown below. The distance is 1/2" (13mm)+10%





## BEDIENPANEL



### Betrieb

1. Diese Maschine ist mit einem 2 PS 180V DC Kollektormotor ausgerüstet. Die Spannung beträgt 230V und wird in der Maschine in 180V DC umgewandelt.
2. Bei Überschreiten von 15 A bei installiertem Motor wird ein Warnton ausgegeben und die Maschine muss sofort gestoppt werden. In diesem Fall die Bearbeitung sofort beenden und warten, bis das Signal nicht mehr ausgegeben wird. Danach kann die Arbeit sicher fortgesetzt werden.  
Wird die Bearbeitung bei Ausgabe des Warnsignals nicht gestoppt, erfolgt automatisch ein Maschinenhalt nach 2 Sekunden.  
Danach ist ein Maschinenneustart erforderlich.
3. Die Spindeldrehzahl liegt zwischen 200 und 2100 U/min. Der Drehzahlregler ist über das vordere Bedienpanel einfach zugänglich.
4. Auswechseln des Riemens und Einstellung der Riemenspannung
  - Die Abdeckung über den Riemenscheiben öffnen. Die Schraube an der Frontabdeckung mit einem Schraubendreher entfernen und die Abdeckung bis zum Anschlag öffnen.
  - Der Motor ist in seiner Position mit 2 Muttern gesichert (Teil Nr. 37). Die Muttern lösen.
  - Einstellung der Riemenspannung  
Die Schraube (Teile Nr. 43) mit einem Schraubenschlüssel anziehen oder lösen, bis die korrekte Spannung erreicht ist.
  - Auswechseln des Riemens  
Die Schraube (Teil Nr. 43) mit einem Schraubenschlüssel lösen, um den Riemen zu entspannen. Den Riemen auswechseln.  
Die korrekte Riemenspannung durch Anziehen der Schraube einstellen.
  - Nach Einstellung der Riemenspannung oder Auswechseln des Riemens müssen die vier Muttern am Motor wieder angezogen werden.
  - Die Abdeckung über den Riemenscheiben wieder schließen und mit den vorgesehenen Schrauben sichern.
5. Motorwartung
  - Der Motor ist ein 2 PS 180DC Modell.
  - Der Motor verfügt über 2 Kohlebürsten mit einer Standzeit von 1000 Betriebsstunden.  
Bei nachlassender Motorleistung müssen immer beide Bürsten ausgewechselt werden.

## **Besondere Sicherheitsvorschriften für Säulenbohrmaschinen**

1. Vorsicht : Diese Bohrmaschine ist ausschließlich auf den Einsatz mit Bohrmeißeln ausgelegt. Die Verwendung anderer Werkzeuge auf dieser Maschine kann zu gefährlichen Situationen und Unfällen führen.
2. Bohren mit korrekter Drehzahl : Wichtige Kriterien für die Festlegung der optimalen Drehzahl für das Arbeiten auf einer Säulenbohrmaschine sind :  
Art des zu bearbeitenden Materials, Haltergröße, Typ von Bohrer, Meißel usw. sowie gewünschte bzw. erforderliche Bearbeitungsqualität.  
Je kleiner der Bohrer, desto höhere die erforderliche Drehzahl. Bei weichen Materialien muss die Drehzahl höher sein als bei harten Werkstoffen.
3. Bohren in Metall : Beim Bohren in Metall muss das Werkstück stets mit geeigneten Klemm- oder Spannvorrichtungen gehalten werden. Das Halten mit bloßen Händen ist äußerst gefährlich, da die Bohrschneide das Werkstück jederzeit greifen kann; dies gilt besonders beim Aufbohren des Rohlings. Wird das Teil in diesem Fall dem Bediener aus den Händen gerissen, kann es zu schweren Verletzungen kommen; in jedem Fall aber bricht der Bohrer bei Kollision des Werkstücks mit der Säule.
4. Beim Bohren muss das Werkstück fest und sicher eingespannt sein : Jedes Verdrehen, Verwinden oder Verrutschen führt nicht nur zu unsicherer Aufspannung, sondern erhöht auch die Gefahr von Bohrerbruch. Flache Werkstücke werden auf einer Holzunterlage platziert und fest auf dem Tisch verspannt, um jedes Verdrehen und Verrutschen zu verhindern. Auch Werkstücke mit unregelmäßiger Kontur, die nicht flach auf dem Tisch aufliegen, müssen sicher befestigt und verspannt werden.
5. Das Bohrfutter muss sicher in der Spindel befestigt werden, so dass es auf keinen Fall herausgeschleudert werden kann.
6. Nach der Einstellung wird der Schlüssel vom Bohrfutter entfernt.
7. Bei Installation, Anschluss oder Wiederanschluss des Motors muss die Säulenbohrmaschine von der Stromversorgung getrennt werden.
8. Zeigt die Säulenbohrmaschine während des Betriebs Tendenzen zum Umkippen, 'Wandern' oder Verschieben auf der Auflagefläche, muss sie in der Stützkonstruktion gesichert werden.
9. Die Stellschrauben am Rahmen der Kopfbaugruppe müssen vor Betrieb dieser Maschine fest angezogen werden.
10. Die Stromversorgung für den Anschluss der Maschine muss mit Stromunterbrecher oder träger Sicherung ausgestattet sein.
11. Vor Start des Betriebs muss der Sockel der Säulenbohrmaschine auf Boden oder Arbeitstisch fest verankert werden.

## **VII. Wichtiger Hinweise zur CE-Kennzeichnung**

---

### **Handhabung der Maschine**

1. Vor Transport der Maschine muss ihr Gesamtgewicht festgestellt und geprüft werden, ob die manuelle Handhabung ohne Sicherheitseinschränkung möglich ist.
2. Generell wird empfohlen, diese Maschine mit Hilfe von Hebezeugen zu handhaben.

### **Umgebungsanforderungen an den Aufstellort**

1. Der Aufstellort muss in Übereinstimmung mit den lokalen Gesetzen und Vorschriften für die Sicherheit am Arbeitsplatz ausreichend beleuchtet sein. Sind entsprechende Informationen nicht verfügbar, gilt ein Mindestwert von 300 Lux als Faustregel für die Ausleuchtung von Aufstellort und Arbeitsplatz.
2. Der Aufstellort der Maschine muss eben und ausreichend groß für ihren Betrieb sein.

### **Schalldruckpegel**

1. Der Schalldruckpegel dieser Maschine während des Betriebs beträgt ca. 75 db(A).
2. Entsprechende Schallschutzmaßnahmen - auch unter Berücksichtigung des Lärmpegels in der Arbeitsumgebung - sind erforderlich.

## **VII Elektrik**

### **ELEKTRISCHER ANSCHLUSS/TRENNEN VOM STROMNETZ & BETRIEB**

#### **3-phasige Stromversorgung:**

##### **1. Elektrischer Anschluss:**

1. Mitgeliefert wird ein 4-adriges Kabel für den Anschluss Ihrer Maschine an die 3-phasige Stromversorgung.  
**Bitte schließen Sie Ihre Maschine an eine Stromversorgung mit manueller Netztrennvorrichtung** in Übereinstimmung mit Absatz 5.3 der EN 60204-1, wie z.B. einem Sicherungslasttrenner oder einer Steckverbindung, an.
2. Zum Schutz der Steuer- und Regeleinrichtung der Maschine empfehlen wir die Verwendung einer **Sicherung mit einer Sicherungsleistung von 6 A**; zudem darf der Gesamtabstand zwischen Sicherung und Anschlussklemme 1,5 m nicht überschreiten.
3. Die **genaue Netzspannung, Frequenz und Phasenanzahl** entnehmen Sie bitte dem Installationsschema und Schaltplan.
4. Nach dem Anschluss muss die korrekte Richtung der Säulenbohrmaschine überprüft werden.

##### **2. Trennen des elektrischen Anschlusses:**

1. Das Trennen von der Stromversorgung erfolgt mit der manuell betätigten Netztrennvorrichtung.
2. Um einen Job abzubrechen sowie vor Wartungsarbeiten und Einstellungen muss die Maschine von der Stromversorgung getrennt werden.

##### **3. Erdung**

Die Erdung der Säulenbohrpresse erfolgt **durch Anschluss der gelben/grünen Klemme des Netzkabels** an die Erdklemme der Stromquelle. Bitte erden Sie die Maschine ausnahmslos vor ihrem Anschluss an die Stromversorgung.

### **WARNUNG!**

**Trennen Sie in keinem Fall die Erdklemme vor Trennen der Maschine von der Stromversorgung.**

#### **1-phasige Stromversorgung:**

1. Anschluss und Trennen von der Stromversorgung sowie Erdung erfolgen über den Anschluss an der Säulenbohrmaschine. Aus Sicherheitsgründen **darf dieser Anschluss unter keinen Umständen gegen einen anderen Typ ausgewechselt werden.**
2. Zum Schutz der Steuer- und Regeleinrichtung der Maschine empfehlen wir die Verwendung **einer Sicherung mit einer Sicherungsleistung von 6 A**; zudem darf der Gesamtabstand zwischen Sicherung und Anschlussklemme 1,5 m nicht überschreiten.
3. Die **genaue Netzspannung, Frequenz und Phasenanzahl** entnehmen Sie bitte dem Installationsschema und Schaltplan.

#### **Betrieb:**

1. "**START**" : Die Taste mit der Aufschrift " I " drücken.
2. "**STOP**": Die Taste mit der Aufschrift " O " drücken.
3. "**Verriegelungsschalter**": Endschalter in der Abdeckung der Riemenscheibe.

### **WARNUNG!**

Stoppen Sie die Maschine im normalen Betrieb nicht mit dem Verriegelungsschalter.



### REMARQUE :

Il est recommandé à l'utilisateur de lire ce manuel d'instructions pour éviter tout accident.

Si la méthode de fonctionnement utilisée dans cette machine à percer est la même que la méthode utilisée dans une machine ordinaire, il y a risque de danger lors du processus. Par conséquent, il est impératif que l'utilisateur fasse extrêmement attention et veille à ce que sa méthode de fonctionnement soit correcte. Une négligence légère liée à l'une des mesures de sécurité entraînera certainement un accident de l'utilisateur.

Le fabricant a conçu cette machine en se concentrant particulièrement sur son champ d'utilisation prévu. Par conséquent, l'utilisateur doit faire attention à ne pas dépasser le dit champ d'utilisation. N'effectuez pas de modifications sur les pièces de rechange et la structure de la machine.

Si vous avez des questions concernant la méthode de fonctionnement de cette machine et si vous ne pouvez pas trouver la solution dans le manuel d'instructions, veuillez contacter directement votre vendeur.

### Instructions de fonctionnement correct de cette machine

1. Pour votre propre sécurité, ne démarrez pas la dite machine avant d'avoir lu attentivement le manuel d'instructions. L'une des mesures de sécurité nécessaires consiste à comprendre d'abord son principe de fonctionnement et sa méthode de fonctionnement.
2. Ne modifiez pas l'une des pièces de protection pour garantir son exhaustivité.
3. Insérez la fiche du ventilateur pour l'alimentation dans la prise avec le câble de terre. Si votre prise n'a pas de câble de terre, connectez la borne de terre de cette machine.
4. Avant de démarrer cette machine, il est impératif de retirer toutes les clés et poignées de verrouillage pas connectées à la machine. Vous devez également prendre l'habitude de vérifier les environs de la dite machine chaque fois avant de poursuivre pour voir s'il y a une petite pièce de rechange qui peut entraîner un défaut de fonctionnement (défaillance).
5. Avant d'installer la machine, nettoyez votre aire de travail pour éviter tout accident.
6. N'utilisez pas cette machine à un endroit très dangereux. N'installez pas la machine à un endroit humide ou présentant des fuites d'eau. Lors de l'exécution des travaux, l'utilisateur doit veiller à maintenir son aire de travail propre à tout moment.
7. Ne laissez pas une personne non autorisée ou incompétente ou des enfants près de la dite machine et veillez à observer à tout moment une distance appropriée par rapport à la machine.
8. Placez un verrouillage de sécurité sur la porte de votre aire de travail pour empêcher les enfants de démarrer la machine.
9. Evitez de surcharger la machine. Pour votre propre sécurité, veillez à respecter ses champs d'utilisation.
10. N'utilisez pas la machine en dehors de son champ d'utilisation.

1. Portez des vêtements appropriés lorsque vous travaillez. Ne portez pas de vêtements qui peuvent être facilement déchirés/arrachés par la machine lors de son fonctionnement tels que des vêtements amples, des gants, une écharpe, une bague et une petite chaîne. Vous devez également porter des chaussures antidérapantes et un casque (casquette) qui peut maintenir totalement les cheveux longs.
2. Lorsque vous faites fonctionner cette machine, vous devez porter à tout moment des lunettes et un masque étanche aux poussières. En outre, veillez à vous conformer aux mesures de sécurité correspondantes spécifiées par le Bureau of Works du gouvernement.
3. Utilisez un étau à main ou autre dispositif de fixation pour fixer toutes les pièces de rechange pour la découpe.  
N'utilisez pas vos mains pour les fixer pour éviter tout accident grave et le non-fonctionnement de la dite machine.
4. Tenez-vous bien devant cette machine lorsque vous travaillez (position des deux pieds, équilibre du corps, etc.).
5. Maintenez la machine et ses bords pointus propres à tout moment pour obtenir la meilleure efficacité de travail. Suivez également attentivement les instructions contenues dans le manuel d'instructions lors du changement des outils, de l'application de la graisse et du nettoyage.
6. Avant de nettoyer cette machine ou de changer les outils (tels que la lame de la scie, le foret), retirez d'abord la fiche de puissance pour éviter toute électrocution.
7. Utilisez les outils suggérés par le fabricant de cette machine lorsque vous travaillez et conformez-vous aux instructions correspondantes dans le manuel d'instructions parce que l'utilisation des pièces de rechange non liées à cette machine constitue un comportement dangereux.
8. Evitez de toucher la machine involontairement. Avant d'introduire la fiche dans la prise, vérifiez si le bouton de l'interrupteur est sur la position **【OFF】** ou non.
9. Ne vous tenez pas sur la machine pour éviter de glisser par inadvertance ou de heurter la lame et de vous blesser.
10. Rappelez-vous qu'il faut vérifier avec précaution la pièce anormale dans le processus de fonctionnement de la machine.  
Il est recommandé de changer la dite pièce ou la dite pièce de protection avant de poursuivre la tâche.
11. Ne quittez pas l'aire de travail lors du fonctionnement de la machine. Si cela est nécessaire, coupez l'alimentation et attendez l'arrêt complet de la machine avant de quitter l'aire de travail.
12. N'utilisez pas cette machine si vous avez consommé de l'alcool (liqueur ou vin) ou pris des médicaments ou des drogues.

## 1 PIECES

Déballez le carton, vérifiez votre machine pour voir les pièces listées ci-dessous :

### A. Pièces principales :

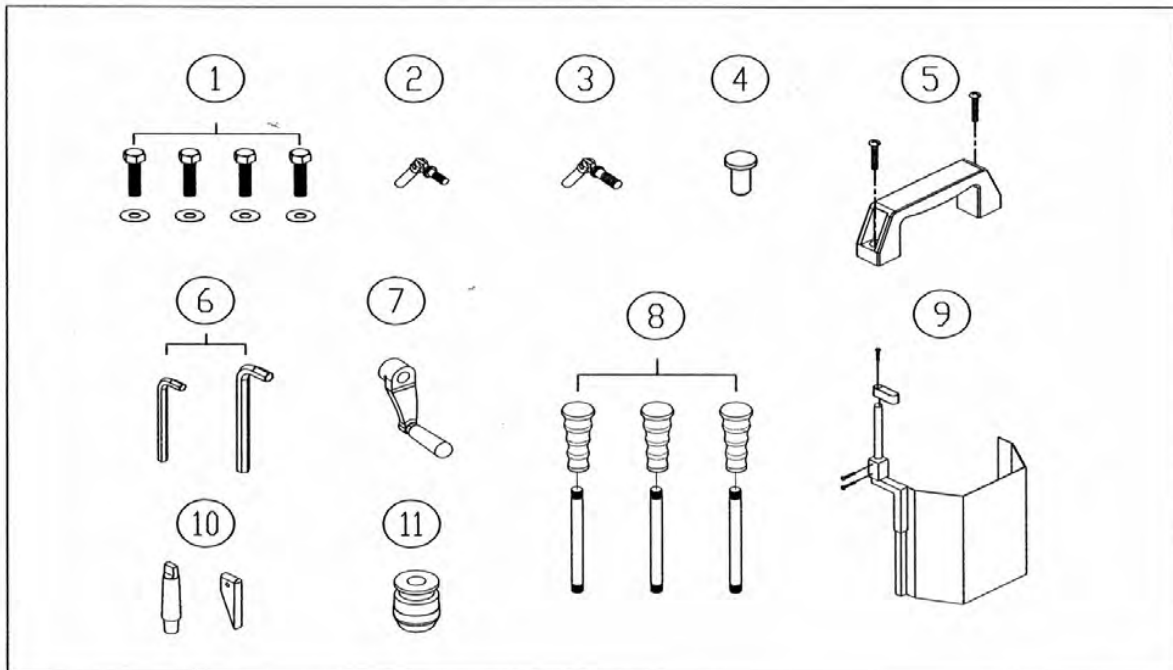
- |                                |         |
|--------------------------------|---------|
| 1. Ensemble de la tête         | 1 pièce |
| 2. Colonne avec bride          | 1 pièce |
| 3. Bras de la table et support | 1 jeu   |
| 4. Table                       | 1 pièce |
| 5. Base                        | 1 pièce |

### B. Accessoires

- |  |          |
|--|----------|
| 1. Vis & rondelle                          | 4 jeux   |
| 2. Boulon de blocage (bras de la table)    | 1 pièce  |
| 3. Boulon de blocage (support de la table) | 1 pièce  |
| 4. Bouton (couvercle de poulie)            | 1 pièce  |
| 5. poignée de Bow                          | 1 pièce  |
| 6. Clavette à douille (3 mm, 5 mm)         | 2 pièces |
| 7. Poignée de réglage de la hauteur        | 1 pièce  |
| 8. Poignée d'alimentation & bouton         | 3 jeux   |
| 9. Protection du mandrin                   | 1 pièce  |
| 10. Arbre & clavette                       | 2 pièces |
| 11. Mandrin                                | 1 pièce  |



Remarque : si des pièces sont manquantes ou endommagées, contactez le revendeur pour le changement ou le remplacement



## II. MONTAGE

---

### 1. Montez la colonne

- \* Placez l'ensemble de la colonne sur la base et alignez les trous dans le support de la colonne avec les trous dans la base.
- \* Fixez la colonne avec quatre ou trois boulons et rondelles fournis.



Fig. 1

### 2. Installez le support de la table

- 2-1 Retirez le collier et la crémaillère
- 2-2 Installez le support de la table avec la crémaillère. Fig. 2.



Fig. 2

- 2-3 Installez le collier et fixez-le fermement. Fig. 3



Fig. 3

### 3. Installez la poignée du support et le boulon de blocage. Fig. 4-5

Fixez la poignée avec la vis régulatrice jointe.



Fig. 4

Installez le boulon de blocage pour fixer le support de la table.



Fig. 5

#### 4. Installez la table et l'attache avec le boulon. Fig. 6



Fig. 6

#### 5. Attachez l'ensemble de la tête

\* Placez l'ensemble de la tête avec précaution au-dessus de la colonne et faites-le glisser sur la colonne pour le mettre en position. Alignez le cadre de la tête avec la table et la base.

\* Fixez les vis régulatrices sur le côté droit de la tête pour bloquer la tête en position, puis serrez avec la clé à douille. Fig. 7



Fig. 7

#### 6. Installez les poignées d'alimentation.

\* Vissez le bouton sur chaque poignée d'alimentation, installez-les dans le moyeu de l'arbre du pignon. Fig. 8



Fig. 8

#### 7. Attachez l'arbre et le mandrin

7-1 Insérez d'abord l'arbre dans la broche. Tirez la poignée d'alimentation vers le bas pour introduire l'arbre. Fig. 9

7-2 Ouvrez complètement les mors du mandrin en tournant la clavette du mandrin jointe en sens inverse horaire vers l'extrémité. Placez un morceau de bois sur la table pour protéger le nez du mandrin.

7-3 Installez le mandrin sur l'arbre de manière à ce qu'il soit bien serré. Fig. 10



Fig. 9

#### 8. Installez le bouton et la vis du couvercle de la poulie supérieur. Fig. 11



Fig. 11



Fig. 10

### III REGLAGE

#### 1. Réglage de la table

##### A. Réglage de la hauteur

Pour régler en haut ou en bas, desserrez le boulon de blocage, puis réglez la table à votre position souhaitée en faisant pivoter la poignée du support de la table. Fig. 12

Poignée du support de la table

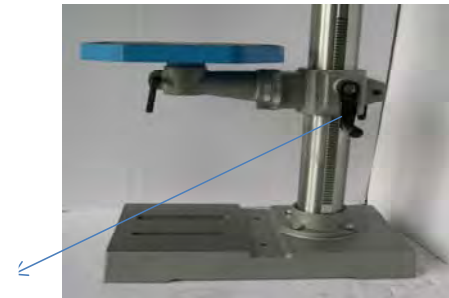


Fig. 12

##### B. Réglage de l'inclinaison :

Desserrez le boulon de verrouillage conique de la table avec la clé réglable. Inclinez la table à l'angle souhaité et resserrez le boulon.

Contre-écrou

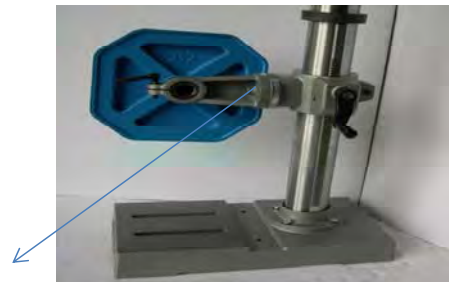


Fig. 13

##### C. Pivotement de 360° Fig. 13

Desserrez le boulon de blocage, puis faites pivoter la table vers la position appropriée et resserrez le boulon de blocage. Fig. 14

Boulon de blocage



Fig. 14

#### 2. Réglage de la profondeur d'avance

##### 2-1 Type de manchon d'échelle de contrôle de la profondeur

Desserrez le boulon de blocage et déplacez vers la profondeur souhaitée, puis resserrez le boulon de blocage.

Fig. 15-1, 15-2



Fig. 15-2



Fig. 15-1



### 3. Réglage de la vitesse

- 3-1
1. Ouvrez la chape de la poulie et la poignée de blocage de la tension de la courroie.
  2. Choisissez la vitesse de l'opération de perçage et déplacez la courroie vers la position correcte pour la vitesse souhaitée.
  3. Poussez le moteur vers l'arrière jusqu'à ce qu'une tension de courroie modérée soit obtenue. Resserrez ensuite la poignée de blocage. Fig. 16

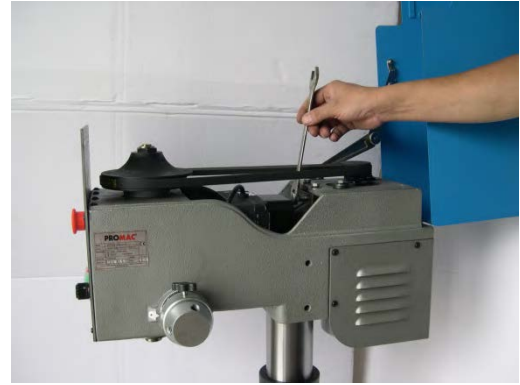


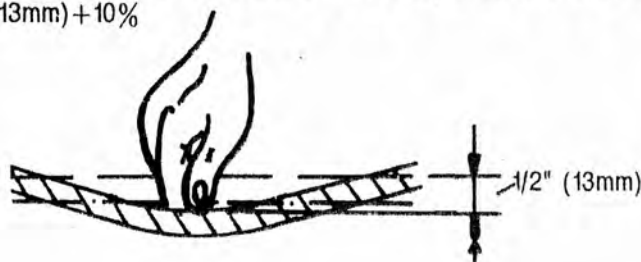
Fig. 16

La vitesse de foret adéquate pour une taille de mèche de foret donnée est comme indiqué dans le tableau suivant :

Size		Cast steel		Tool steel		Cast iron		Mild steel		Alum. & copper	
		Cutting speed									
Diameter		m/min	ft/min	m/min	ft/min	m/min	ft/min	m/min	ft/min	m/min	ft/min
		12	40	18	60	24	80	30	100	60	200
mm	inch	Cutting speed revolution per minute									
2	1/16	1910	2445	2865	3665	3820	4890	4775	6110	9550	12225
3	1/8	1275	1220	1910	1835	2545	2445	3185	3055	6365	6110
5	3/16	765	815	1145	1220	1530	1630	1910	2035	3820	4075
6	1/4	610	610	955	915	1275	1220	1590	1530	3180	3055
8	5/16	480	490	715	735	955	980	1195	1220	2390	2445
10	3/8	380	405	570	610	765	815	955	1020	1910	2035
11	7/16	350	350	520	525	700	700	870	875	1740	1745
13	1/2	300	305	440	460	590	610	735	765	1470	1530
16	5/8	240	245	360	365	480	490	600	610	1200	1220
19	3/4	190	205	285	305	380	405	480	510	955	1020

### 4. Belt Tension Adjustment

For proper belt tension : Use 10 lbs pressure or hand pressure on the belt as shown below. The distance is 1/2" (13mm)+10%





## PLATEAU CIRCULAIRE ET PUPITRE DE COMMANDE



### Fonctionnement

1. Cette machine est équipée d'un moteur à collecteur de 2 HP 180 V CC. La tension est de 230 V et est échelonnée jusqu'à 180 V CC dans la machine.
2. Si le moteur dépasse 15 A, un avertissement simple est émis et la machine doit être arrêtée immédiatement. Arrêtez de travailler et attendez quelques secondes jusqu'à ce que le signal s'arrête. Vous pouvez ensuite reprendre le travail en toute sécurité.  
Si vous continuez à travailler au lieu d'arrêter et d'attendre, la machine s'arrête automatiquement après 2 secondes. Dans ce cas, vous devez démarrer à nouveau la machine.
3. La vitesse de la broche est comprise entre 200 et 2 100 tr/min. Le régulateur pour l'ajustage et le réglage de la vitesse est facilement accessible sur le pupitre avant.
4. Remplacement de la courroie ou réglage de la tension de la courroie
  - Ouvrez le couvercle au-dessus des poulies de la courroie. Utilisez un tournevis pour retirer la vis à l'avant du couvercle et ouvrez le couvercle autant que possible.
  - Le moteur est fixé avec 2 écrous (élément n° 37). Desserrez-les.
  - Réglage de la tension de la courroie  
Utilisez une clé pour serrer ou desserrer le boulon (élément n° 43) pour obtenir la tension correcte.
  - Remplacement de la courroie  
Utilisez une clé pour desserrer le boulon (élément n° 43) et relâchez la tension de la courroie. Remplacez la courroie. Réglez la tension de courroie correcte en serrant le boulon.
  - Après avoir réglé la tension de la courroie ou remplacé la courroie, serrez les 4 écrous sur le moteur.
  - Fermez le couvercle au-dessus des poulies de la courroie et fixez-le avec les vis d'origine.
5. Entretien du moteur
  - Le moteur est un modèle de 2 HP 180 CC.
  - Le moteur a 2 balais de carbone avec une durée de vie de 1 000 heures de travail.  
Remplacez toujours les deux éléments en même temps quand la puissance du moteur est faible.

### **Règles de sécurité spéciales pour la perceuse sensitive :**

1. Précaution : cette perceuse sensitive est destinée à n'être utilisée qu'avec des mèches de foret. L'utilisation d'autres accessoires peut être dangereuse.
2. Vitesses de perçage correctes : les facteurs qui déterminent la meilleure vitesse à utiliser lors du fonctionnement de la perceuse sensitive sont :  
type de matériau usiné, taille du dispositif de maintien, type de foret ou d'autre fraise et qualité de coupe souhaitée.  
Plus le foret est petit, plus le régime (tr/min) requis est grand. Dans les matériaux mous, la vitesse doit être supérieure à celle des matériaux durs.
3. Perçage dans le métal : utilisez des attaches pour maintenir la pièce lors du perçage dans le métal. La pièce ne doit jamais être tenue à mains nues, les cannelures du foret peuvent bloquer la pièce à tout moment en particulier lors de la rupture de la barre. Si la pièce est éjectée, l'opérateur peut être blessé à la main, de toute façon, le foret est cassé lorsque la pièce heurte la colonne.
4. La pièce doit être serrée fermement lors du perçage : une inclinaison, une torsion ou un décalage entraîne non seulement un maintien difficile mais augmente également la rupture du foret. Pour une pièce plate, posez la pièce sur une base en bois et serrez-la fermement contre la table pour éviter qu'elle ne tourne. Si la pièce est de forme irrégulière et ne peut pas être posée à plat dans la table, elle doit être bloquée de manière sûre et être serrée.
5. Le mandrin doit être bien fixé sur la broche de manière à ne pas se séparer de la broche.
6. Retirez la clavette du mandrin après le réglage.
7. L'outil doit être déconnecté de l'alimentation lorsque le moteur est monté, connecté ou reconnecté.
8. Fixez l'outil sur la structure de support si, lors du fonctionnement normal, l'outil a tendance à se renverser, à glisser ou à avancer sur la surface de support.
9. Les vis régulatrices du cadre de la tête doivent être vissées fermement avant de poursuivre le fonctionnement de cette machine.
10. Connectez à un circuit d'alimentation protégé par un disjoncteur de circuit ou un fusible temporisé.
11. Fixez la base sur le sol ou la table porte-pièce avant d'utiliser la perceuse sensitive.

## **VII. Remarque importante pour CE**

---

### **Manipulation de la machine**

1. Le poids total de cette machine doit être garanti avant toute manipulation.
2. Il vaut mieux manipuler cette machine à l'aide d'outils de levage.

### **Exigences environnementales pour l'installation**

1. Veillez à fournir un éclairage suffisant pour le fonctionnement en fonction des codes ou règlements publiés pour la zone locale. Si vous n'avez pas obtenu les informations relatives à l'éclairage, une intensité lumineuse de 300 Lux est la valeur la plus petite à garantir.
2. L'endroit où la machine est installée doit être plan et suffisamment grand pour le fonctionnement.

### **Niveau sonore**

1. Le niveau sonore de cette machine est d'environ 75 db (A) lors du fonctionnement.
2. Lorsque vous prenez des dispositions pour le risque de bruit, le niveau sonore de l'environnement de travail doit être également pris en considération.

## VII Système électrique

### **CONNEXION/DECONNEXION ELECTRIQUES & FONCTIONNEMENT**

#### **Pour l'alimentation triphasée :**

##### **1. Connexion électrique :**

1. Un câble avec quatre fils est présent pour connecter votre machine dans l'alimentation triphasée. **Veillez connecter votre machine dans l'alimentation avec le dispositif de déconnexion à commande manuelle**, qui est conforme au paragraphe 5.3 de EN 60204-1, comme sur le sectionneur fusible ou la combinaison fiche/prise.
2. Pour la protection du dispositif de commande, nous recommandons un fusible avec **un courant nominal de 6 A**, et la longueur totale entre le fusible et la borne de connexion ne doit pas dépasser 1,5 m.
3. La **tension de la source d'alimentation, la fréquence et le nombre de phases exacts** doivent être contrôlés en fonction du schéma d'installation et du schéma du circuit.
4. **La direction correcte de la perceuse sensitive doit être contrôlée après la connexion.**

##### **2. Déconnexion électrique :**

1. La déconnexion est effectuée par le dispositif de déconnexion à commande manuelle.
2. Veillez à déconnecter cet usinage de la source d'alimentation lorsque vous voulez arrêter la tâche de maintenance et le réglage.

##### **3. Mise à la terre**

La mise à la terre de la perceuse sensitive est réalisée en **connectant la borne jaune/verte du câble d'alimentation** à la borne de mise à la terre de la source d'alimentation. Veillez à mettre votre machine à la terre avant de connecter la machine à la source d'alimentation en toutes situations.

#### **AVERTISSEMENT !**

**Ne déconnectez pas la borne de mise à la terre avant de déconnecter la source d'alimentation.**

#### **Pour l'alimentation monophasée :**

1. La connexion, la déconnexion et la mise à la terre sont réalisées **grâce à la fiche** présente sur la perceuse sensitive. Pour des raisons de sécurité, **ne changez pas cette fiche pour en adopter un tout autre type et ce dans n'importe quelle situation.**
2. Pour la protection du dispositif de commande, nous recommandons un fusible avec un courant nominal de 6 A, et la longueur totale entre le fusible et la borne de connexion ne doit pas dépasser 1,5 m.
3. La **tension de la source d'alimentation, la fréquence et le nombre de phases exacts** doivent être contrôlés en fonction du schéma d'installation et du schéma du circuit.

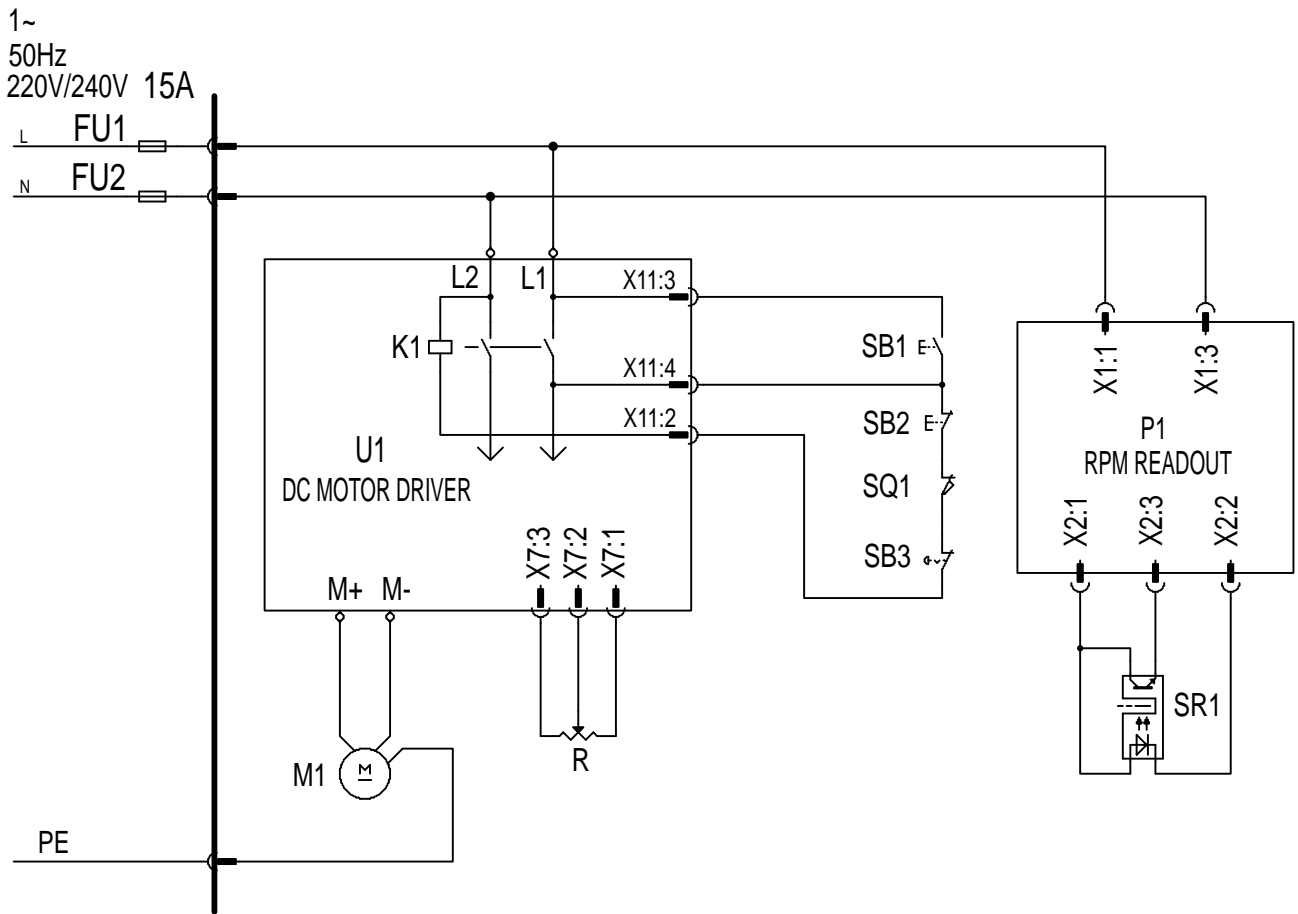
#### **Fonctionnement :**

1. **"START"** : actionnez le bouton caractérisé par " **I** ".
2. **"STOP"** : actionnez le bouton caractérisé par " **O** ".
3. **"Interrupteur de verrouillage"** : commutateur de fin de course dans le couvercle de poulie

#### **AVERTISSEMENT !**

N'arrêtez pas la machine avec l'interrupteur de verrouillage lors du fonctionnement normal.

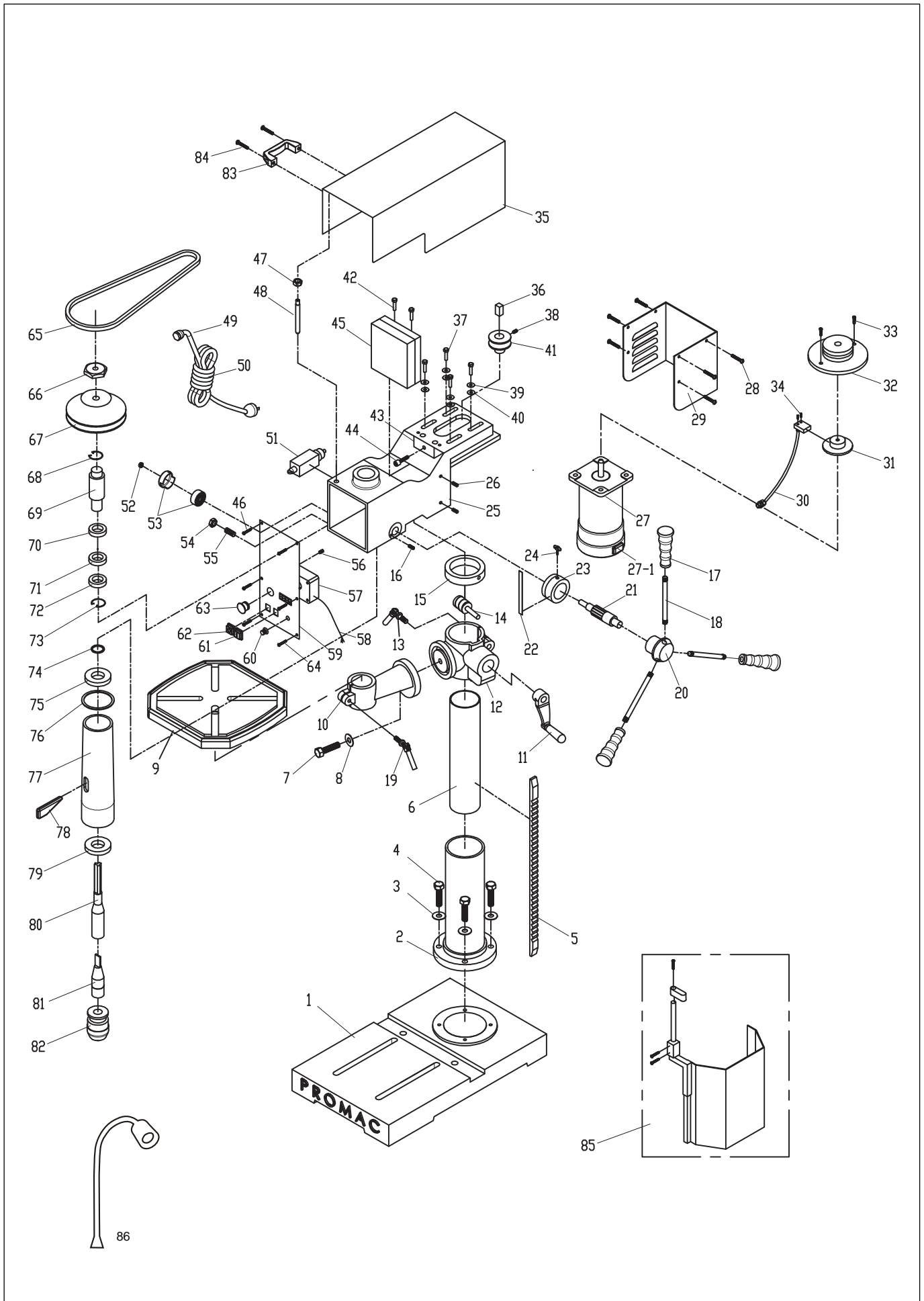
Electrical circuit diagram / Elektrischer Schaltplan / Schéma du circuit électrique



Item designation	Description & function	Maker	Type	Technical data	Complies with the following standards	Making of conformity granted
XP	Plug for supply Single phase	LIAN DUNG	LT-32	10~16A , 250V		
	Supply cable single phase	TIEN TUNG	H05W-F	3G 1.5mm <sup>2</sup> · 300/500V	VDE 0620	VDE/ROHS
SB1	Start switch	KM		240V/10A		CE
SB2	OFF(Emergency- Stop) switch	KM		240V/10A		CE
SB3	Emergency-Stop switch	XINQUANG	KB2-BE102	10A		CE
SQ1	Micro switch	Zhejiang Tiande	CT-103	250V/10A		CE
R	Adjustable resister	Forward Electronics	VR 10KB	10KΩ		CE
U1	Circuit board	K & K		1~ 240V,50Hz		CE
M	Motor	K & K		DC180V/2HP		CE
P1	RPM Readout	K & K		1~ 240V,50Hz		CE
SR1	RPM Sensor	K & K		DC5V/1KHz		CE

# Ersatzteilzeichnung / Vue éclatée

378VLB



1	PM378CLB-01	Base / Sockel / Base 490 x 490 x 68mm
2	PM378VLB-02	Flange / Flansch / Bride
3	PM378CLB-03	Washer / Unterlegscheibe / Rondelle 3/8
4	PM378CLB-04	Screw / Schraube / Vis 3/8 x 1-1/4
5	PM378CLB-05	Rack / Gestell / Crémaillère 520mm
6	PM378CLB-06	Cloumn / Säule / Colonne Ø80 x 805
7	PM378VLB-07	Screw / Schraube / Vis
8	PM378CLB-08	Washer / Unterlegscheibe / Rondelle 5/8 x 30
9	PM378CLB-09	Work table / Arbeitstisch / Table porte-pièce 290 x 290mm
10	PM378VLB-10	Table Arm / Tischarm / Bras de la table
11	PM378VLB-11	Shafting rod / Riemenvorgelegestange / Tige de transmission
12	PM378VLB-12	Table bracket / Bohrtischhalterung / Support de la table
13	PM378CLB-13	Clamp bolt / Klemmschraube / Boulon de blocage 1/2 x 45mm
14	PM378VLB-14	Worm and worm gear / Schnecke und Schneckenrad / Vis sans fin et engrenage à vis sans fin
15	PM378CLB-15	Rack collar / Bund (Gestell) / Collier de crémaillère Ø80
16	PM378VLB-16	Stop pin / Anschlagstift / Goupille d'arrêt 5 x 30
17	PM378VLB-17	Knob / Knopf / Bouton
18	PM378CLB-18	Handle / Handgriff / Poignée 1/2 x 180
19	PM378VLB-19	Clamp bolt / Klemmschraube / Boulon de blocage 3/8 x 26
20	PM378VLB-20	Handle body / Griffgehäuse / Corps de la poignée
21	PM378VLB-21	Feed pinion / Vorschubritzel / Pignon d'avance
22	PM378VLB-22	Scale / Skala / Echelle
23	PM378VLB-23	Scale sleeve / Skalenhülse / Manchon d'échelle
24	PM378CLB-19	Thumb screw / Flügelschraube / Vis moletée 5/16 x 18
25	PM378VLB-25	Head / Kopf / Tête
26	PM378VLB-26	Set screw / Stellschraube / Vis régulatrice 3/8 x 1/2
27	PM378VLB-27	Motor / Motor / Moteur 2HP DC 180V
27-1	PM378VLB-27-1	Carbon brushes / Kollektorbürsten (Kohlebürsten) / Balais de carbone
28	PM378VLB-28	Screw / Schraube / Vis 3/16 x 3/8 x 8
29	PM378VLB-29	Motor cover / Motorabdeckung / Couvercle du moteur
30	PM378VLB-30	Sensor, PRM / Sensor, U/min / Capteur, TR/MIN
31	PM378VLB-31	Rotor / Rotor / Rotor
32	PM378VLB-32	Cover / Abdeckung / Couvercle
33	PM378VLB-33	Screw / Schraube / Vis 3 x 3/8
34	PM378VLB-34	Screw / Schraube / Vis 3 x 3
35	PM378VLB-35	Pulley cover / Riemenscheibenabdeckung / Couvercle de poulie
36	PM378VLB-36	Pin / Stift / Goupille 5 x 25
37	PM378VLB-37	Screw / Schraube / Vis 5/16 x 1-1/4
38	PM378VLB-38	Set Screw / Stellschraube / Vis régulatrice 6 x 8
39	PM378VLB-39	Washer / Unterlegscheibe / Rondelle 5/16
40	PM378VLB-40	Washer / Unterlegscheibe / Rondelle 5/16 x 25 x 5
41	PM378VLB-41	Motor pulley / Motorriemenscheibe / Poulie du moteur
42	PM378VLB-42	Screw / Schraube / Vis 3/16 x 1/2
43	PM378VLB-43	Fixed bracket / Feststehende Halterung / Support fixe
44	PM378VLB-44	Screw / Schraube / Vis 1/2
45	PM378VLB-45	Control box set / Steuerkasten / Jeu de boîtiers de commande
46	PM378VLB-46	Screw / Schraube / Vis 3/16 x 3/8
47	PM378VLB-47	Nut / Mutter / Erou 1/2
48	PM378VLB-48	Fix handle / Feststellhebel / Poignée fixe
49	PM378VLB-49	Wire fixed buckle / Kabelbinder / Boucle fixe de câble
50	PM378VLB-50	Power Cord / Netzkabel / Cordon électrique
51	PM378VLB-51	Chuck guard circuit-breaker switch / Trennschalter, Bohrfutterschutz / Interrupteur du disjoncteur de circuit de la protection du mandrin
52	PM378VLB-52	Nylon Nut / Nylonmutter / Erou en nylon 1/2
53	PM378VLB-53	Spring Cover / Federdeckel / Couvercle du ressort 1/2
54	PM378VLB-54	Nut / Mutter / Erou 5/16
55	PM378VLB-55	Screw / Schraube / Vis 5/16 x 3"
56	PM378VLB-56	Screw / Schraube / Vis 3 x 10

57	PM378VLB-57	Digital display unit / Digitale Anzeigeeinheit / Unité d'affichage numérique
58	PM378VLB-58	Cable / Kabel / Câble
59	PM378VLB-59	Switch Plate / Schalterscheibe / Plaque de l'interrupteur
60	PM378VLB-60	Knob / Knopf / Bouton
61	PM378VLB-61	Switch I / Schalter EIN / Interrupteur I
62	PM378VLB-62	Switch O / Schalter AUS / Interrupteur O
63	PM378VLB-63	Emergency switch / Not-Aus-Schalter / Interrupteur d'urgence
64	PM378VLB-64	Screw / Schraube / Vis 3/16 x 3/8
65	PM378VLB-65	V-Belt / Keilriemen / Courroie trapézoïdale A38
66	PM378VLB-66	Nut / Mutter / Ecrou 5/8
67	PM378VLB-67	Spindle Pulley / Spindelriemenscheibe / Poulie de la broche
68	PM378VLB-68	Retaining Ring / Sicherungsring / Anneau de blocage Ø56
69	PM378VLB-69	Drive Taper / Antriebskegel / Cône d'entraînement
70	PM378VLB-70	Ball Bearing / Kugellager / Roulement à billes 6205
71	PM378VLB-71	Ball Spacer / Abstandshalter, Kugellager / Entretoise à billes
72	PM378VLB-70	Ball Bearing / Kugellager / Roulement à billes 6205
73	PM378VLB-73	Retaining Ring / Sicherungsring / Anneau de blocage Ø56
74	PM378VLB-74	Retaining Ring / Sicherungsring / Anneau de blocage Ø14
75	PM378CLB-51	Ball Bearing / Kugellager / Roulement à billes 6202
76	PM378VLB-76	Rubber Washer / Gummischeibe / Rondelle en caoutchouc
77	PM378VLB-77	Quill / Pinole / Fourreau
78	PM378VLB-78	Wedge / Keil / Clavette
79	PM378VLB-70	Ball bearing / Kugellager / Roulement à billes 6205
80	PM378CLB-95	Spindle / Spindel / Broche MT2
81	PM378VLB-81	#2 Morse Taper Arbor / #2 Morsekegeldorn / Arbre du cône morse n° 2
82	PM378CLB-98	Chuck / Futter / Mandrin B16
83	PM378VLB-83	Bow-shape handle / Bügelgriff / Poignée en forme d'arc
84	PM378VLB-84	Screw / Schraube / Vis 1/2 x 1/4
85	PM378VLB-85	Chuck guard / Bohrfutterschutzabdeckung / Protection du mandrin
86	LED2015	LED Light / LED-Leuchte / Eclairage DEL



# PROMAC®

## Garantie

Wir gewähren Ihnen auf den unten eingetragenen Artikeln Garantie auf die Dauer von 24 Monaten ab Laufdatum. Einzige Voraussetzung: dieses ausgefüllte persönliche Garantie-Zertifikat muss der zur Reparatur eingesandten Maschine beigelegt sein.

Par ce document nous nous engageons à réparer l'article mentionné ci-dessous en garantie pendant une période de 24 mois à partir de la date d'achat. Cette garantie ne sera pas honorée si ce certificat dûment complété n'est pas renvoyé avec la machine en question pour toute réparation.

\_\_\_\_\_  
Modell / Modèle

\_\_\_\_\_  
Namen und Anschrift des Käufers / Nom et adresse de l'acheteur

\_\_\_\_\_  
Serie-Nr. / N° de série

\_\_\_\_\_

\_\_\_\_\_  
Kaufdatum / Date de l'achat

\_\_\_\_\_

Händler-Stempel

Cachet du revendeur