

JET

BD-7

METAL LATHE

50000900M/U
230/50-60/1

PARTS LIST

Walter Meier (Tool) AG

Tämperlistrasse 5

CH-8117 Fällanden

Switzerland

Phone +41 44 806 47 48

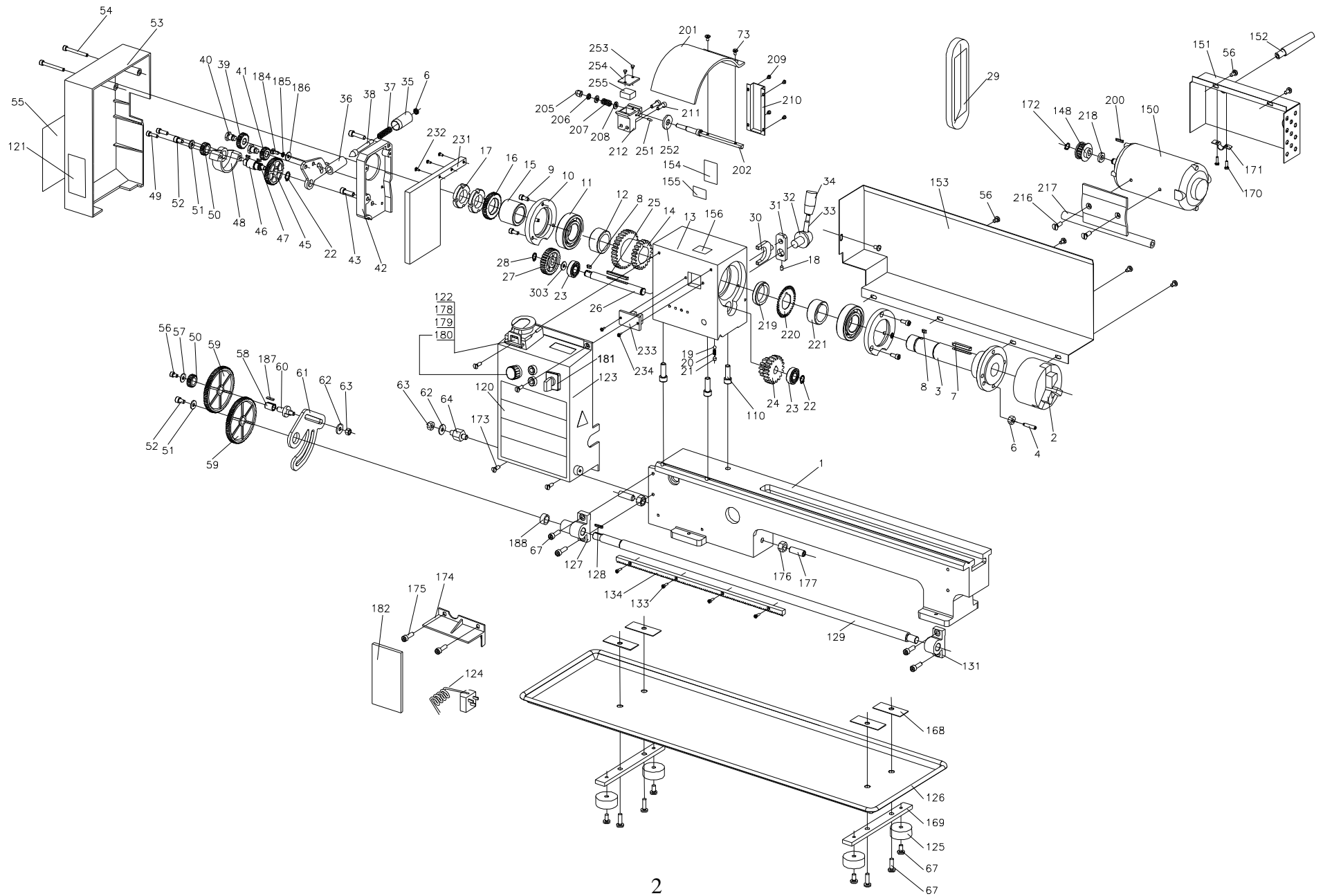
Fax +41 44 806 47 58

jetinfo.eu@waltermeier.com

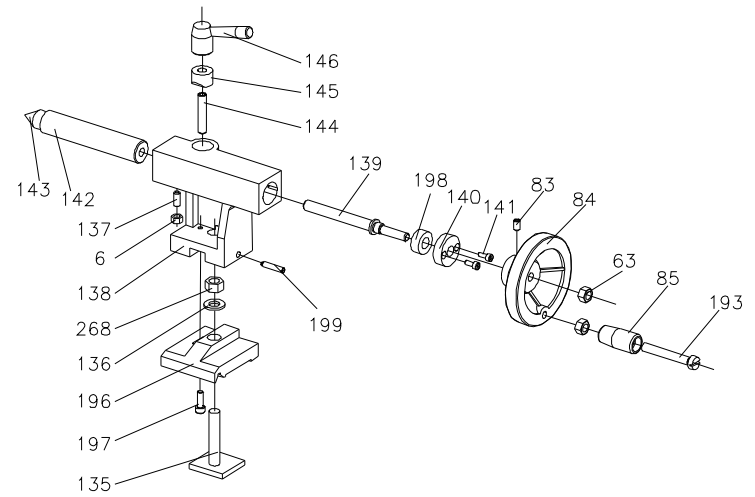
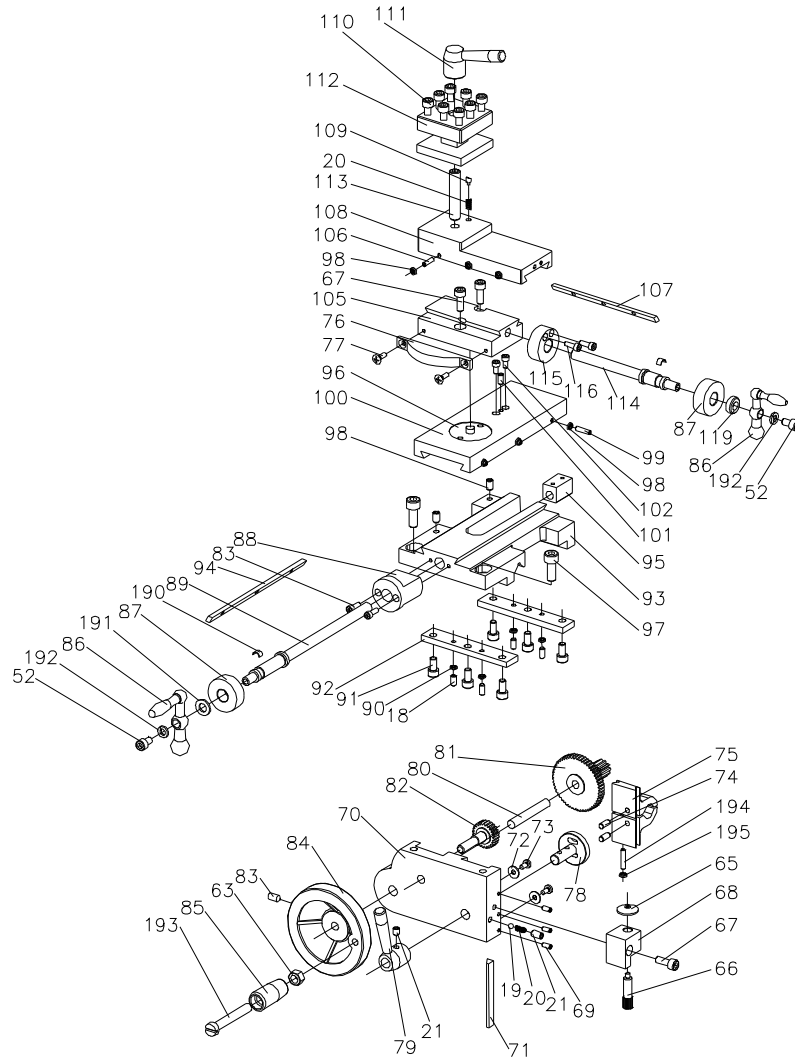
www.jettools.com



Parts Breakdown For BD-7 Metal Lathe



Parts Breakdown For BD-7 Metal Lathe



Parts List for BD-7 Metal Lathe

Part	Description	Size	Qty
BD7-001	Bed way		1
BD7-002	Chuck		1
BD7-003	Spindle		1
BD7-004	Screw	M6x25	3
BD7-006	Nut	M6	5
BD7-007	Key	5x40	1
BD7-008	Key	4x8	2
BD7-009	Screw	M5x12	6
BD7-010	Cover		2
BD7-011	Ball bearing	80206	2
BD7-012	Spacer		2
BD7-013	Headstock casting		1
BD7-014	H/L gear	21T/29T	1
BD7-015	Spacer		1
BD7-016	Spur gear	45T	1
BD7-017	Nut	M27x1.5	2
BD7-018	Set screw	M5x8	1
BD7-019	Steel ball	5	2
BD7-020	Compression spring		3
BD7-021	Set screw	M6x6	3
BD7-022	Retaining ring	12	2
BD7-023	Ball bearing	6201Z	2
BD7-024	H/L gear	12T/20T	1
BD7-025	Parallel key	4x45	1
BD7-026	H/L gear shaft		1
BD7-027	Pulley		1
BD7-028	Retaining ring	10	2
BD7-029	Timing belt	L136	1
BD7-030	Shifting fork		1
BD7-031	Shifting arm		1
BD7-032	Shifting knob		1
BD7-033	Shifting lever		1
BD7-034	Shifting grip		1
BD7-035	Handle		1
BD7-036	Handle mount		1
BD7-037	Spring		1
BD7-038	Indicator		1
BD7-039	Pinion	25T	1
BD7-040	Support screw		2
BD7-041	Pinion	20T	1
BD7-042	Fixed cover		1
BD7-043	Screw	M6x20	2
BD7-045	Gear	45T	1
BD7-046	Shaft		1
BD7-047	Parallel key	3x8	1
BD7-048	Mount		1
BD7-049	Screw	M5x18	2
BD7-050	Gearwheel	20T	2
BD7-051	Washer	M6	6
BD7-052	Screw	M6x8	2
BD7-053	Cover		1
BD7-054	Screw	M5x45	2
BD7-055	Thread cutting chart		1

Parts List for BD-7 Metal Lathe

Part	Description	Size	Qty
BD7-056	Screw	M5x8	4
BD7-057	Washer	M4	2
BD7-058	Bush w/key		1
BD7-059	Gearwheel	80T	2
BD7-060	Shaft		1
BD7-061	Support plate		1
BD7-062	Washer	8	3
BD7-063	Nut	M8	3
BD7-064	Shaft		1
BD7-065	Dial	16T (optional)	1
BD7-066	Shaft	(optional)	1
BD7-067	Screw	M6x16 (optional)	10
BD7-068	Dial indicator body	(optional)	1
BD7-069	Set screw	M4x10	3
BD7-070	Apron		1
BD7-071	Gib strip		1
BD7-072	Washer		2
BD7-073	Screw	M4x8	2
BD7-074	Shaft		2
BD7-075	Half nut base		2
BD7-076	Angle block		1
BD7-077	Screw	M4x10	2
BD7-078	Groove cam		1
BD7-079	Handle		1
BD7-080	Shaft		1
BD7-081	Feeding gear	11T/54T	1
BD7-082	Feeding gear	24T	1
BD7-083	Screw	M6x10	4
BD7-084	Wheel		2
BD7-085	Knob		2
BD7-086	Handle		2
BD7-087	Dial		2
BD7-088	Bracket		1
BD7-089	Feeding screw		1
BD7-090	Nut	M5	4
BD7-091	Screw	M6x12	6
BD7-092	Slide plate		2
BD7-093	Saddle		1
BD7-094	Gib strip		1
BD7-095	Feeding nut		1
BD7-096	Swivel disk		1
BD7-097	Screw	M8x20	6
BD7-098	Nut	M4	6
BD7-099	Screw	M4x16	3
BD7-100	Cross slide		1
BD7-101	Screw	M5x10	2
BD7-102	Screw	M4x8	2
BD7-105	Compound rest(B)		1
BD7-106 S	crew	M4x14	3
BD7-107	Gib strip		1
BD7-108	Compound rest(A)		1
BD7-109	Position pin		1
BD7-110	Screw	M6x25	8
BD7-111	Clamping lever		1

Parts List for BD-7 Metal Lathe

Part	Description	Size	Qty
BD7-112	Tool rest		1
BD7-113	Stud	M10x65	1
BD7-114	Cross feed screw		1
BD7-115	Bracket		1
BD7-116	Screw	M4x12	2
BD7-119	Nut	M18	2
BD7-120	Model label		1
BD7-121	Indicator table label	(optional)	1
BD7-122	Switch label		1
BD7-123	Control box		1
BD7-124	Plug w/cord		1
BD7-125	Rubber foot		4
BD7-126	Chip tray		1
BD7-127	Bracket		1
BD7-128	Key	3x16	1
BD7-129	Lead screw		1
BD7-131	Bracket		1
BD7-133	Screw	M3x10	3
BD7-134	Rack		1
BD7-135	Clamp plate		1
BD7-136	Washer	M10	1
BD7-137	Screw	M5x16	1
BD7-138	Tailstock casting		1
BD7-139	Tailstock screw		1
BD7-140	Bracket		1
BD7-141	Screw	M4x10	2
BD7-142	Tailstock quill		1
BD7-143	Center		1
BD7-144	Stud	M8x40	1
BD7-145	Clamp		1
BD7-146	Handle		1
BD7-148	Pulley		1
BD7-150	Motor		1
BD7-151	Cover		1
BD7-152	Cable gland		1
BD7-153	Rear splash guard		1
BD7-154	F/N/R label		1
BD7-155	High-low label		1
BD7-156	Top warning label		1
BD7-157	Gear	30T	1
BD7-158	Gear	35T	1
BD7-159	Gear	40T	2
BD7-160	Gear	45T	1
BD7-161	Gear	50T	1
BD7-162	Gear	55T	1
BD7-163	Gear	57T	1
BD7-164	Gear	60T	1
BD7-165	Gear	65T	1
BD7-166	External jaws	(set)	1
BD7-167	3-jaw chuck key		1
BD7-168	Rubber pad		2
BD7-169	Bracing		2
BD7-170	Screw	M3x5	1
BD7-171	Clamp block		1

Parts List for BD-7 Metal Lathe

Part	Description	Size	Qty
BD7-172	Check ring	9	1
BD7-173	Screw	M5x10	4
BD7-174	Protector		1
BD7-175	Screw	M5x10	2
BD7-176	Nut	M6	2
BD7-177	Screw	M6x25	2
BD7-178	Emergency stop Switch		1
BD7-179	Fuse		1
BD7-180	Variable speed control knob		1
BD7-181	Forward/off/Reverse switch		1
BD7-182A	PC Board variable speed (AP)	(S/N:08xxxx & higher)	1
BD7-182	PC Board variable speed (AP)	(S/N:07xxxx & lower)	1
BD7-184	Screw	M5x10	1
BD7-185	Spring washer	5	1
BD7-186	Washer	5	1
BD7-187	Key	3x16	1
BD7-188	Spacer		1
BD7-190	Spring		2
BD7-191	Washer	8	1
BD7-192	Spring washer	6	2
BD7-193	Screw	M8x55	2
BD7-194	Screw	M4x38	1
BD7-195	Nut	M4	1
BD7-196	Tailstock plate		1
BD7-197	Screw	M5x16	1
BD7-198	Flange		1
BD7-199	Screw	M5x25	1
BD7-200	Key	3x12	1
BD7-201	Chuck protect cover		1
BD7-202	Hinge		1
BD7-205	Nut	M6	1
BD7-206	Washer	M6	1
BD7-207	Spring		1
BD7-208	Washer	6	1
BD7-209	Screw	M3x4	4
BD7-210	Cover		1
BD7-211	Screw	M5x16	2
BD7-212	Fix base		1
BD7-216	screw	M6x8	2
BD7-217	Motor fixed plate		1
BD7-218	Washer	6	1
BD7-219	Spacer		1
BD7-220	light beam		1
BD7-221	Spacer		1
BD7-232	Screw	M4x6	3
BD7-233	Photoelectricity switch		1
BD7-234	Screw	M3x8	2
BD7-251	Round pin		1
BD7-252	Dial		1
BD7-253	Screw	ST2.9x4.5	2
BD7-254	Cover		1
BD7-255	Micro switch		1
BD7-268	Nut	M10	1
BD7-303	Washer	M10	1

