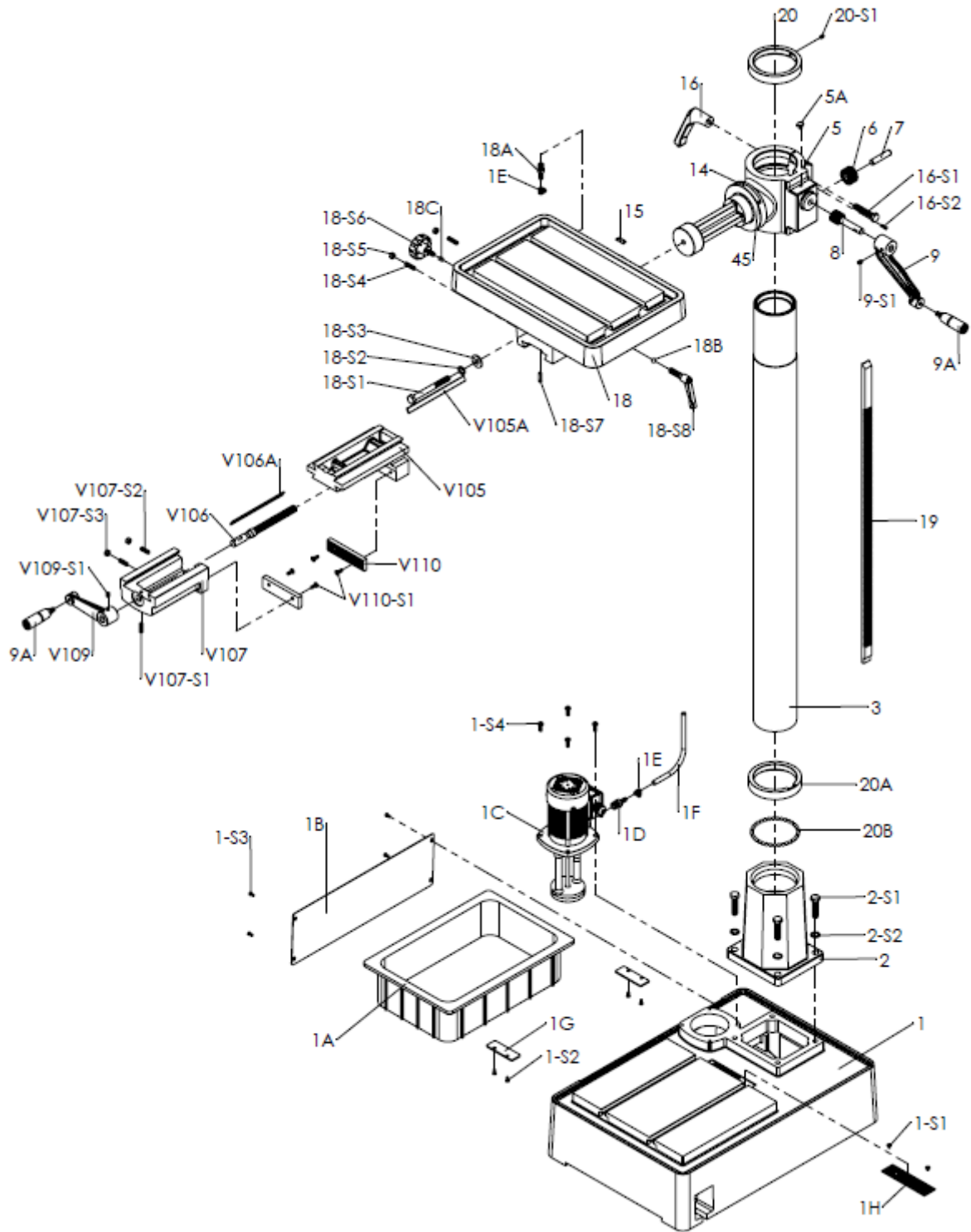
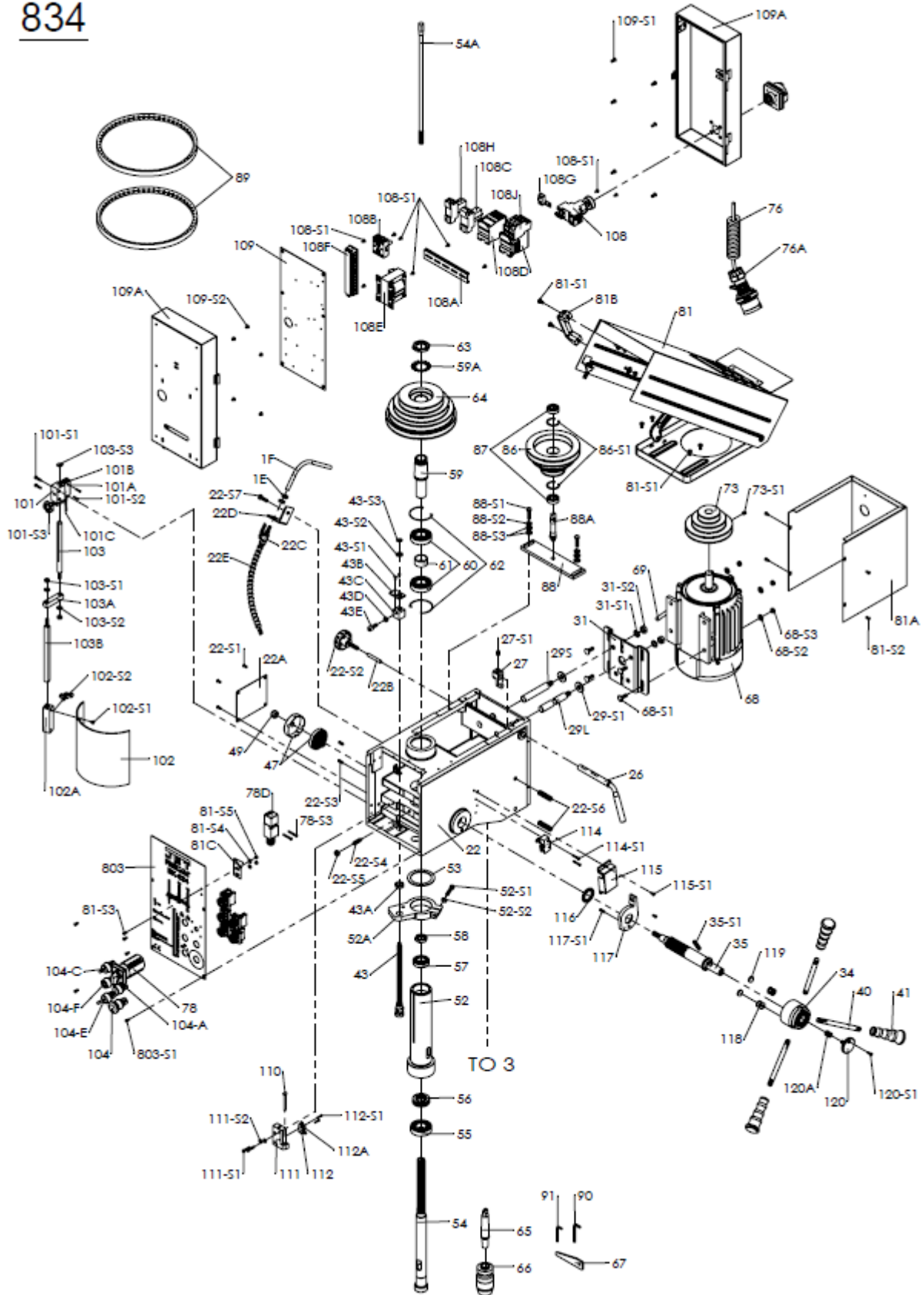


BX-834 & BX-834V Stand Exploded View



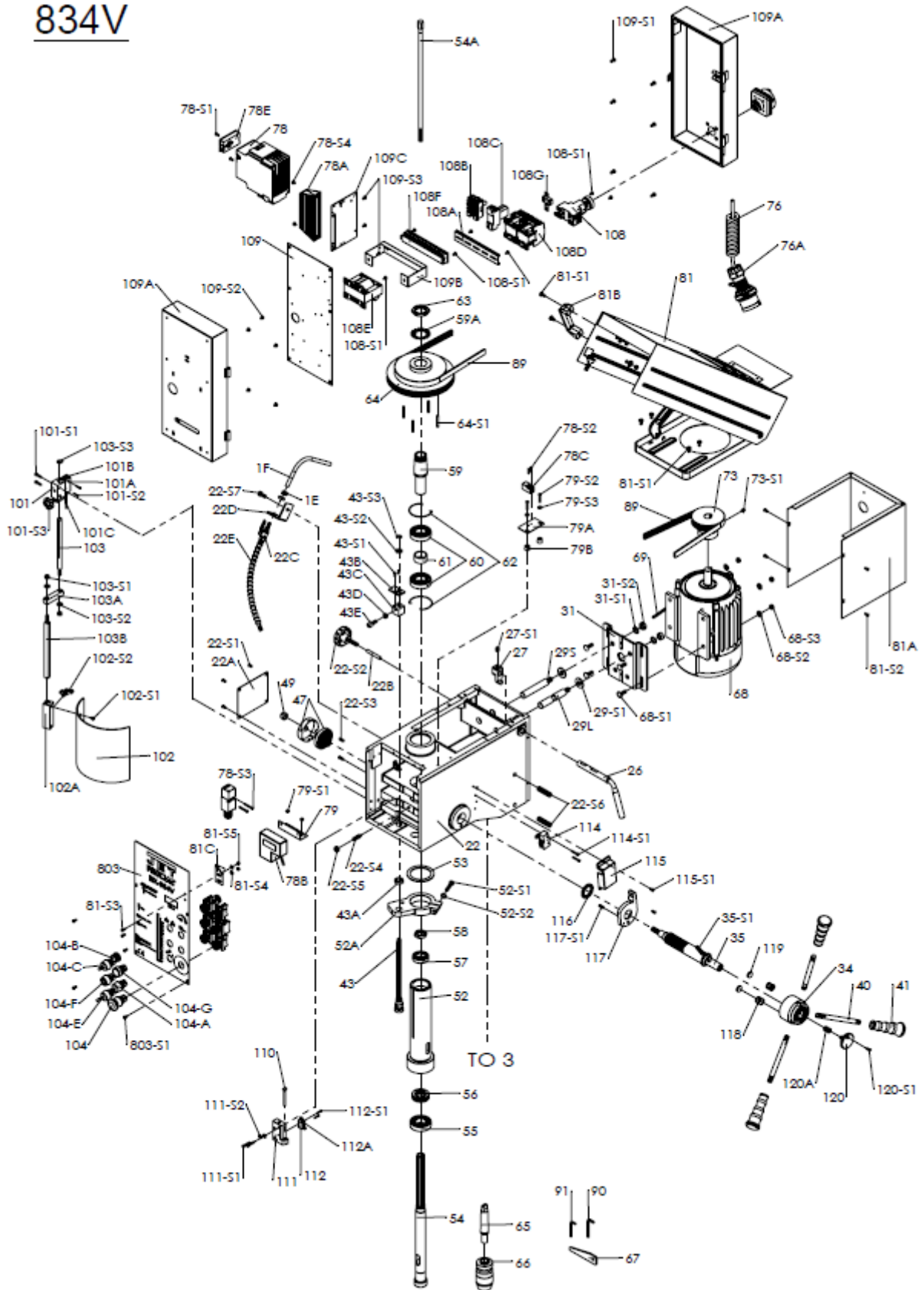
BX-834 & BX-834V Head of Drilling Exploded View

834



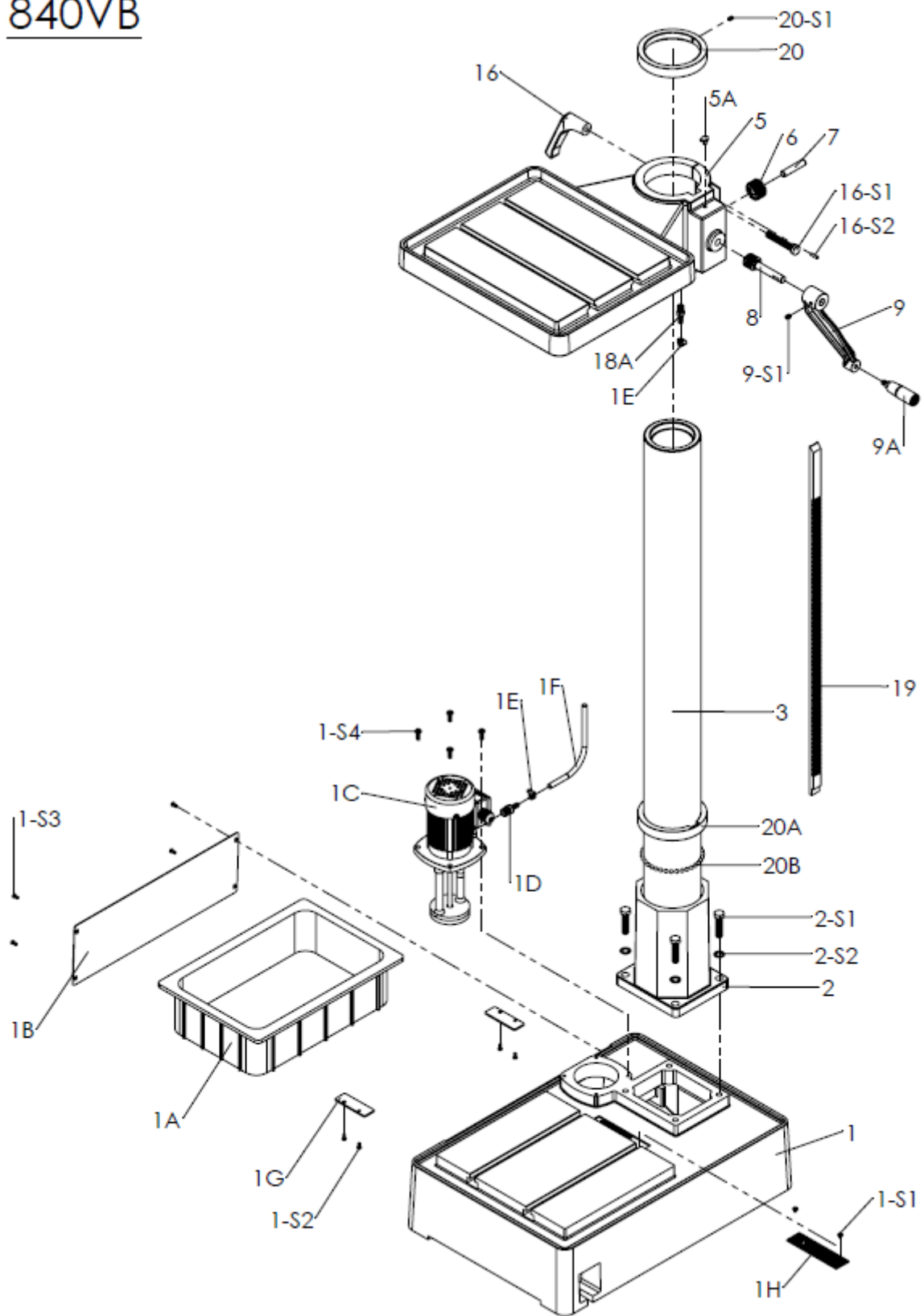
BX-834 & BX-834V Head of Drilling Exploded View

834V



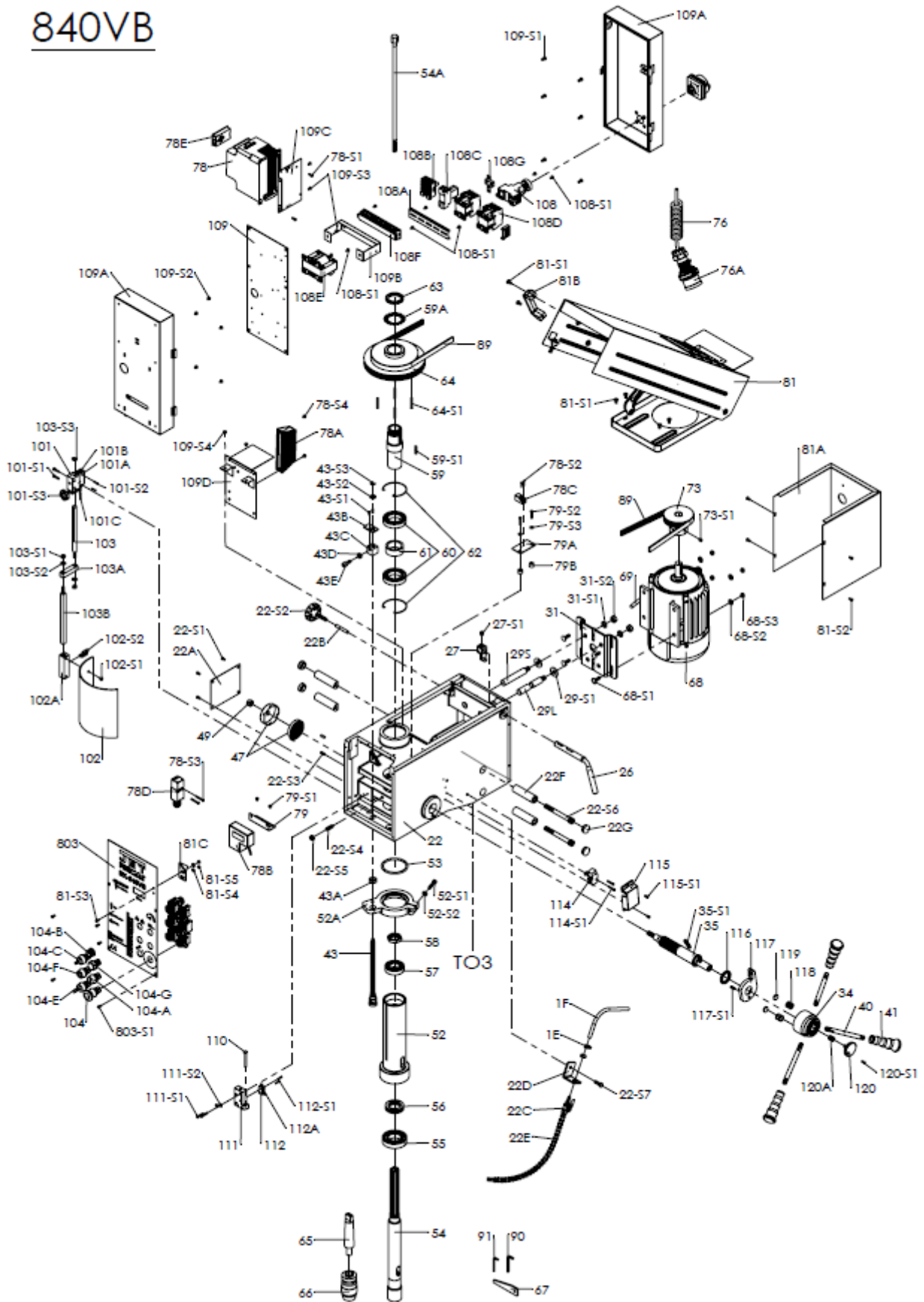
BX-840VB Stand Exploded View

840VB



BX-840VB Head of Drilling Exploded View

840VB



BX-834 BX-834V BX-840VB Part List

Index No.	Part No.	Description	Size	Qty.
1	PM-834001	Base	T660x460-1/2xT14	1
1A	PM-833001C	Water Tank	425x280x110mm	1
1B	PM-833001B	Base Cover	470x150	1
1C	PM-834001C	Pump Motor	1/8HPx2P 400V/1PH-L150mm	1
1D	PM-919108	Adapter	3/8x5/16	1
1E	PM-919109	Clamp	1/2"	3
1F	PM-918090	Hose	L2170MM	1
1G	PM-834001G	Water Tank Bracket	85x29mm	2
1H	PM-834001H	Filter Cover	141x36mm	1
1-S1	PM-834001-S1	Screw	3/16x3/8"	2
1-S2	PM-834001-S2	Screw	3/16x3/8"	4
1-S3	PM-834001-S3	Screw	3/16x3/8"	4
1-S4	PM-320046	Screw	1/4x3/4"	4
2+3	PM-833002	Column Holder	Ø102x230mm	1
	PM-840V002	Column Holder	Ø115x235mm	1
2-S1	PM-820004	Hex Bolt	1/2x2"	4
2-S2	PM-820004A	Spring Washer	S 1/2	4
3	See Pos. 2	Column	Ø102x1200mm	1
	See Pos. 2	Column	Ø115x1250mm	1
5	PM-833005	Table Bracket	Ø102xØ72-Ø12.6	1
	PM-840V005	Table Bracket	Ø115xT400x470-T14	1
5A	PM-834005A	Oil Cup	OC-108 1/4	1
6	PM-833006	Gear	1/2x17	1
7	PM-833007	Shaft	1/2x60mm	1
8	PM-833008	Worm	1"x1 1/8x93L	1
	PM-840V008	Worm	1"x1 1/8x100L	1
9	PM-833009	Table Handle	Ø14.2x110mm	1
9A	PM-834009A	Handle Bolt	3/8x70mm	1
9-S1	TS-0270031	Set Screw	5/16x3/8"	1
14	PM-833015	Angle Scale	90x12x0.1±45°	1
15	PM-834015	Scale	25.5x11x0.5	2
16	PM-833016B	Clamp Handle	1/2"x126mm	1
16-S1	PM-833016	Hex Bolt	1/2x2-1/2"	1
	PM-840V016	Hex Bolt	1/2x3"	1
16-S2	PM-833016A	Pin	Ø5x18mm	1
18	PM-833018	Table	T320x480/Ø72xT14	1
18A	PM-834018A	Adapter	1/4x5/16	1
18B	PM-834018B	Bush	10mm	1
18C	PM-834018C	Bush	15.2/11xØ8mm	1
18-S1	PM-834018S1	Hex Bolt	M12x1.75x120mm	1
18-S2	PM-834018S3	Spring Washer	S 1/2	1
18-S3	PM-834018S2	Washer	1/2x32x13x2.6mm	1
18-S4	TS-2278301	Set Screw	M8x1.25x30mm	2
18-S5	TS-2311081	Hex Nut	M8x1.25	2
18-S6	PM-833017	Lock Knob	Ø60x3/8x21mm	1
18-S7	PM-833018C	Pin	6x24	1
18-S8	PM-930017	Swivel Handle	M12x1.75x35mm	1
19	PM-833018	Rack	860x22mm-107T	1
20	PM-833020	Rack Ring	Ø102mm	1
	PM-840V020	Rack Ring	Ø115mm	1
20A	PM-833020A	Rack Ring	Ø102	1
	PM-840V020A	Rack Ring	Ø115	1
20B	PM-833020B	Steel Balls	7mm	40
20-S1	TS-0267041	Set Screw	1/4x3/8"	1
22	PM-834022	Head Body	Ø62xØ100x280mm	1
	PM-840V022	Head Body	Ø75xØ115x357.5mm	1
22A	PM-833022-2	Side Cover	125x110x1.6mm 4-R3	1
	PM-840V022A	Side Cover	135x116x1.6mm 4-R3	1
22B	PM-833030A	Shaft	55xØ8mm	1

Index No.	Part No.	Description	Size	Qty.
22C	PM-918092	Valve	1/4" x Ø9mm	1
22D	PM-937202	Fixing Plate	47x50x38mm	1
22E	PM-937201	Nozzle	1/4" x 19px10mm	1
	PM-840V022E	Nozzle	1/4" x 30px10mm	1
22F	PM-840V022F	Aluminum Fixed	L90xØ12.7xØ25.4mm	2
22G	PM-840V022G	Hole Plugs	HP-25	4
22-S1	TS-2172021	Screw	3/16x3/8"	4
22-S2	PM-820030	Lock Knob	Ø60x3/8x38mm	1
22-S3	PM-820048	Pin	6x16	2
22-S4	PM-820050	Set Screw	3/8xØ4.8x32mm	1
22-S5	PM-820051	Hex Nut	3/8"	1
22-S6	TS-0273101	Set Screw	1/2x2"	2
	PM-840V022-S6	Set Screw	1/2x4-1/2"	2
22-S7	PM-320046	Hex Bolt	5/16x3/4"	1
26	PM-833026	Shifter Bar	Ø16x125.5mm	1
27	PM-833027	Shifter	Ø16x29mm	1
27-S1	TS-0271051	Set Screw	3/8x1/2"	1
29L	PM-820029	Slide Bar(L)	Ø19x120mm	1
29S	PM-820029A	Slide Bar(S)	Ø19x120mm	1
29-S1	PM-834029-S1	Washer	1/2x32x13x2.6mm	2
31	PM-834031	Motor Base Plate	110x140mm/5mm	1
31-S1	PM-820032	Spring Washer	S 1/2	2
31-S2	TS-0561051	Hex Nut	1/2"	2
34	PM-833034	Handle Body	Ø76xØ22xL56mm	1
35	PM-833035	Feed Shaft	285xØ34x14T	1
35-S1	TS-0271121	Set Screw	3/8x1-3/4"	1
40	PM-833040	Feed Handle	1/2x155mm	3
41	PM-820041	Grip	1/2x110mm	3
43	PM-833043	Depth Rod	260mmx1/2	1
43A	PM-820043A	Hex Nut	5/8xP1.4	1
43B	PM-833043H	Limit Plate	43x25	1
43C	PM-833043E	Position Set Bracket	25.4x25.4x1/2	1
43D	TS-0561031	Hex Nut	3/8"	1
43E	PM-833043G	Depth Scale	3/8x33x5/16	1
43-S1	PM-834043-S1	Screw	5/32x3/8"	2
43-S2	PM-834043-S2	Washer	3/8x19x10x1.8	1
43-S3	PM-834043-S3	C Type Buckle	E-8	1
45	PM-834045	Rivet	Ø2x5mm	6
47	PM-833046	Spring Cap	3/4xØ70x1.35mm	1
	PM-840V046	Spring Cap	3/4xØ70x1.5mm	1
49	PM-820049	Lock Nut	1/2x12	1
52	PM-834052	Quill	296xØ62xMT3	1
	PM-840V052	Quill	305xØ75xMT4	1
52A	PM-833052A	Sleeve	Ø62-833	1
	PM-840V052A	Sleeve	Ø75 BX-840V	1
52-S1	PM-820052C	Bolt	5/16x1-1/2"	1
52-S2	PM-820052B	Spring Washer	S 5/16	1
53	PM-833053	Rubber Washer	Ø62-3/4"	1
	PM-840V053	Rubber Washer	Ø75x5.7m/m	1
54	PM-834054	Spindle	MT3x475LxØ1/2	1
	PM-840V054		MT4x515LxØ1/2	1
54A	PM-834054A	Draw Bar	M12xØ10.7x433Lx14	1
	PM-840V054A		M12xØ10.7x460Lx19	1
55	BB-6206Z	Ball Bearing	6206Z TPI	1
	BB-6208Z		6208Z NSK	1
56	PM-833056	Thrust Bearing	2906 NJK	1
	PM-840V056		51108 NJK	1
57	BB-6005ZZ	Ball Bearing	6005ZZ TPI	1
	BB-6206ZZ		6206ZZ TPI	1
58	PM-833058	Spindle Nut	M24.5x20 / 32x8mm	1
	PM-840V058		M30x16 / 41x10mm	1

Index No.	Part No.	Description	Size	Qty.
59	PM-833059	Spindle Sleeve	92°x137mm	1
	PM-840V059		Ø45x151mm	1
59A	PM-834059A	Lock Washer	35mm	1
	PM-840V059A		45m/m	1
60	BB-6206Z	Ball Bearing	6206Z TPI	2
	BB-6009ZZ		6009ZZ TPI	2
61	PM-833061	Collar	BX-833 Ø32x18MM	1
	PM-840V061		BX-840VØ45x22mm	1
62	PM-833062	Snap Ring	3/4 62Ø 68.5mm	2
	PM-840V062		Ø75	2
63	PM-833063	Pulley Nut	M35x16 / 46x8	1
	PM-840V063		M45xP1.5 / Ø65x10	1
64	PM-834064	Spindle Pulley	Ø208x88mmx92°/B	1
	PM-834064V	Spindle Pulley	Ø200xØ153mmx92°/PK5	1
64-S1	PM-834064V-S1	Pin	Ø5x40mm	4
65	PM-820865	Taper Arbor	MT3xB16	1
	PM-840V065-1		MT4xB16	1
66	PM-378066-1	Drill Chuck	16L/B18x16mm	1
67	944477	Drill Shifter	111x28x4mm	1
68	PM-834068	Motor (#68A + #68B)	1- 1/2HPx400V/50HZ 4P/8P CE	1
	PM-834068V	Motor	2HP 400/50HZ/3PH	1
	PM-840V068		3HP 400/50HZ/3PH	1
	PM-834068A	Fans		1
		Motor Fans Cover		
68-S1	PM-820070	Carriage Bolt	5/16x1"	4
68-S2	TS-0680031	Washer	5/16"	4
68-S3	TS-0640081	Hex Nut	5/16"	4
69		Motor Wire		
73	PM-834073	Motor Pulley	B-18Ø22 7mm	1
	PM-834V073		Ø97xØ45xØ22	1
73-S1	PM-820074	Set Screw	5/16x3/8"	1
76		Wire	1.25x4Cx2.03M	1
76A		Wire Plug	ES-015444 3P+E+N 16A	1
78	PM-834078	Cam Switch	48x48+2A	1
	PM-834V078	Speed Controller (Inverter)	VFD015E43T	1
	PM-840V078		VFD022E43A	1
78A	PM-834078A	Braking Resistor	QSOJ013 200W250Ω	1
78B	PM-834078B	Rpm Display Unit	RPM108 440V 820V	1
78C	PM-367278	Speed Sensor		1
78D	PM-834078D	Micro Switch	QKS8-1A1B	1
78E	PM-834V78E	Inverter Display Unit	KPE-LE02	1
78-S1	TS-2172021	Screw	3/16x3/8"	2
	TS-1532042		M4x0.7x12mm	2
78-S2	PM-834078B	Screw	1/8x5/8"	2
78-S3	PM-834078C	Screw	5/32x1-1/4"	2
78-S4	PM-820078D	Screw	3/16x1/4"	2
79	PM-834109D	Switch Board	834V/90x30x25x1.6	1
79A	PM-834V79A	Switch Board	70x40x1.6mm	1
79B	PM-834V79B	Bush	11ND15H11/OD15xH11mm	2
79-S1	TS-2172021	Screw	3/16x3/8"	2
79-S2	PM-834V79S2	Screw	3/16x1"	2
79-S3	PM-834V79S3	Washer	3/16x12x5x1mm	2
81	PM-834081	Pulley Cover	720x228x163x1.4mm	1
	PM-840V081		804x228x163x1.4mm	1
81A	PM-834081A	Rear Pulley Cover	265x226x285x1.6mm	1
	PM-840V081A		265x226x297x1.6mm	1
81B	PM-834481B	Grab Handles		1
81C	PM-834482C	Metal Plate	60x30x1.6mm4-R3	1
81-S1	PM-834081B	Screw	1/4x1/2"	6
81-S2	TS-2172021	Screw	3/16x3/8"	4
81-S3	TS-2172021	Screw	3/16x3/8"	2

Index No.	Part No.	Description	Size	Qty.
81-S4	PM-834081-S4	Washer	3/16x12x5x1mm	2
81-S5	PM-834081-S5	Hex Nut	3/16"	2
86	PM-834086	Transmitting Pulley	Ø160x88xØ35mm	1
86-S1	PM-834086-S1	Snap Ring	R-35	2
87	BB-6202ZZ	Ball Bearing	6202zz TPI	2
88	PM-834088	Pulley Shaft Plate	220x51x9m/m	1
88A	PM-834088A	Pulley Shaft	Ø15x1/2xL100mm	1
88-S1	PM-834088-S1	Hex Bolt	5/16x1-1/4"	2
88-S2	PM-834088-S2	Spring Washer	S 5/16	2
88-S3	TS-0680031	Washer	5/16"	4
89	PM-834089	V-Belt	8340	2
	PM-834089V	V-Belt	PK1335	1
	PM-840V089		PK1495	1
90	PM-834090	Allen Wrench (L)	5 m/m	1
91	PM-834091	Allen Wrench (S)	4 m/m	1
101	PM-833101	Micro Switch Bracket	#9878x53mm	1
101A	PM-833101A	Micro Switch	VM5-00N 5A/250S	1
101B	PM-834101B	Micro Switch Board Cover	52x28mm 1/2	2
101C		Micro Switch Wire		1
101-S1	PM-820102C	Screw	3/16x3/4"	2
101-S2	PM-834101D	Screw	1/8x5/8"	2
101-S3	PM-834101-S3	Lead Bolt	M6x25	1
102	PM-930100	Safety Guard		1
	PM-930102	Safety Guard Assembly	192x3mm	1
102A		Safety Guard Slide	#9889x85mm	1
102-S1		Screw	3/16x1/4"	2
102-S2		Lead Bolt	5/16x18	1
103		Bracket Rod	1/2x225mm	1
103A		Support Arm	5/8x70x8.5mm	1
103B		Lower Bracket Rod	1/2x205mm	1
103-S1		Hex Nut	5/16"	2
103-S2		Spring Washer	S 5/16	2
103-S3		C-Ring	S-12	1
104	PM-834104	Emergency Stop Switch	Ø22 1B	1
104-A	PM-820104A	Start Switch	Ø22 1A (AP)	1
	PM-840V104A		Ø22 2A (AP)	1
104-B	PM-820104B	Rpm Switch	RV24YN20S-B502	1
104-C	PM-383520	Change Switch(Drill/Tap)	Ø22 1A1B	1
104-E	PM-920326	Change Switch(Pump)	Ø22 1A	1
104-F	PM-820104	Stop Switch	Ø22 1B	1
104-G	PM-378200	Fault Lamp	PLN22Y24	1
108	PM-833109E	General Switch	834/834V/840VB	1
108A	PM-834108A	Aluminum Strip	834 Series/840VB /181mm	1
108B	PM-834108B	Fuse Ste	834/834V/840VB	1
108C	PM-834108C	Contactory Relay	834/834V/840VB	1
108D	PM-834108D	Magnetic Switch	834/340S/350S/420S	2
	PM-834V108	Magnetic Switch	834V/840VB	2
108E	PM-834108E	Transformer	834/834V/840VB	1
108F	PM-834108F	Socket	834	1
	PM-834V108	Socket	834V/840VB	1
108G	PM-834108G	Grounding	4P	1
108H	PM-834108H	Pump Contactor	834	1
108I	PM-834108J	Overload Relay	834	1
108-S1	TS-2284082	Screw	M4x0.7x8mm	10
109	PM-834109	Switch Board	186x425mm/1.6T	1
109A	PM-834109A	General Switch Box	210x450x130mm/1.2T	1
109B	PM-834109B	Switch Board (Socket)	W180x80x35mm/1.6T	1
109C	PM-834109C	Switch Board (Inverter)	W165x105Lx15Lmm/1.6T	1
109D	PM-840109D	Switch Board (For BX-840VS)	186mmx140mm 1.2mm	1
109-S1	TS-1534042	Screw	M6x1x12mm	6
109-S2	PM-834109S2	Screw	3/16x1/4"	5

Index No.	Part No.	Description	Size	Qty.
109-S3	TS-2284082	Screw	M4x0.7x8mm	4
109-S4	PM-840109S4	Screw	3/16x1/4"	2
110	PM-833110	Steel Bar	Ø6x60mm	1
111	PM-833111	Micro Switch Plate	833	1
111-S1	PM-833113	Screw	3/16x1"	2
111-S2	PM-834111-S2	Washer	3/16x12x5x1mm	2
112	PM-833112A	Micro Switch Body	VX-5-1A2 / OMRON	1
112A	PM-833112B	Micro Switch Trigger	V-1A	1
112-S1	PM-834112S1	Screw	1/8x5/8"	2
114	PM-833114	Micro Switch	MJ2-1703	1
114-S1	PM-834114S1	Screw	5/32x1"	2
115	PM-833115	Micro Switch Cover		1
115-S1	TS-2172021	Screw	3/16x3/8"	2
116	PM-834116	Thrust Bearing	51106	1
117	PM-833117	Tapping Sensor	Ø30xØ46	1
117-S1	PM-833117A	Pin	6x16	1
118	PM-833118	Spring	Ø18x16	2
119	PM-833119	Magnet	Ø18x4mm	2
120	PM-833120	Orientation Bolt	(340/420/823/833)3/8"	1
120A	PM-834120A	Spring	Ø10 Ø13 18mm	1
120-S1	PM-833121	Flat Head Screw	3/16x1/2"	1
V105	PM-833V105	Vise Body	221x115x92xTW6	1
V105A	PM-833V105-1	Set Slider	188x3mm	1
V106	PM-833V106	Leadscrew	205x5/8xTW6	1
V106A	PM-833V106-1	Set Slider	172x3mm	1
V107	PM-833V107	Moving Stand	178x115x63xØ16mm	1
V107-S1	TS-1524061	Set Screw	M8x1.25x25MM	1
V107-S2	TS-1524061	Set Screw	M8x1.25x25MM	2
V107-S3	TS-1541031	Hex Nut	M8x1.25	2
V109	PM-833V109	Vise Handle	Ø36xØ25x110mm	1
V109-S1	TS-0270031	Set Screw	5/16x3/8"	1
V110	PM-833V110	Mount Piece	120x30x10	2
V110-S1	TS-1534051	Flat Head Screw	M6x1x16mm	4
803	PM-8340803	Switch Cover	BX-834	1
	PM-834V0803	Switch Cover	BX-834V	1
	PM-840803	Switch Cover	BX-840VB/227x438	1
803-S1	TS-2172021	Screw	3/16x3/8"	4