

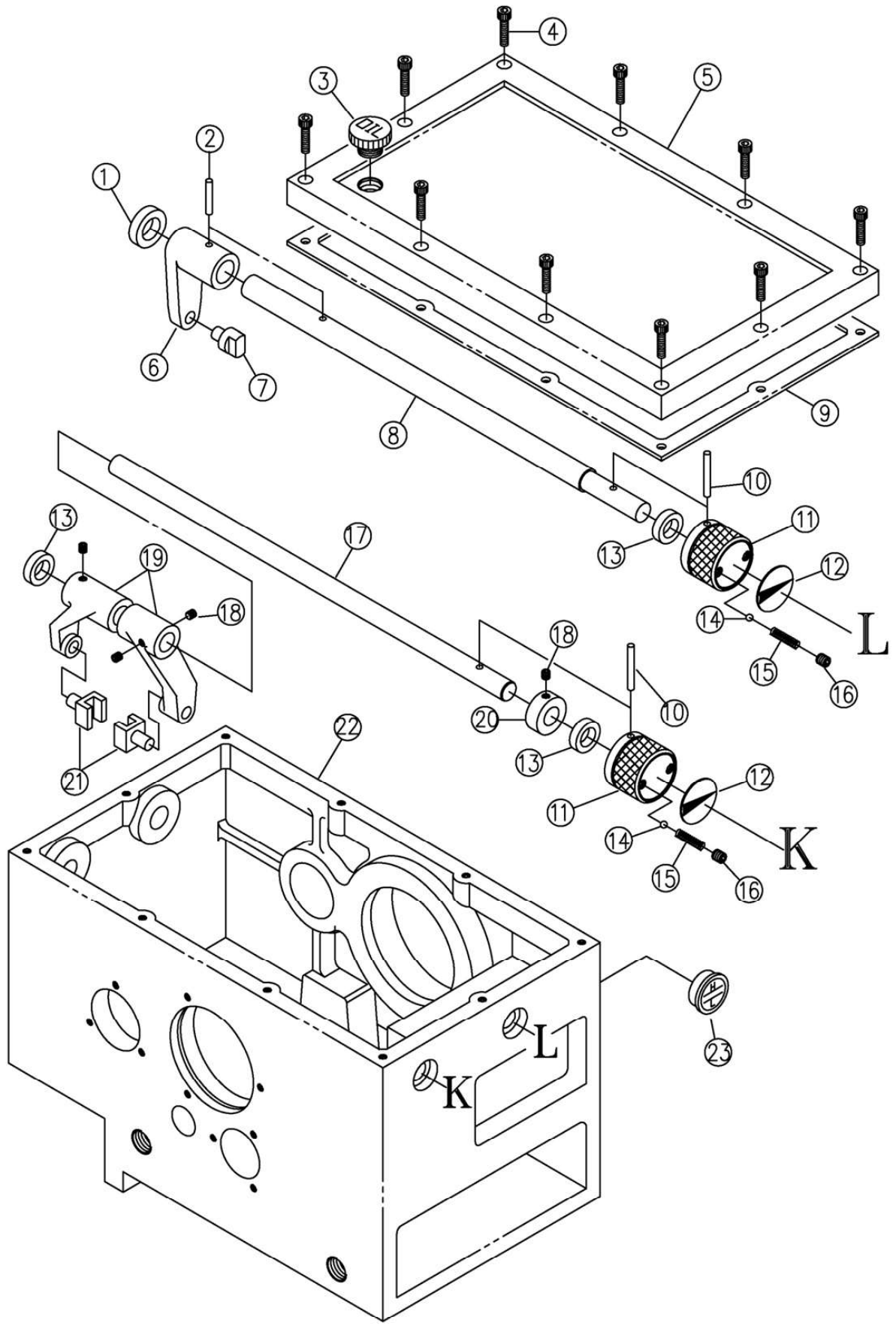
## DESCRIPTION

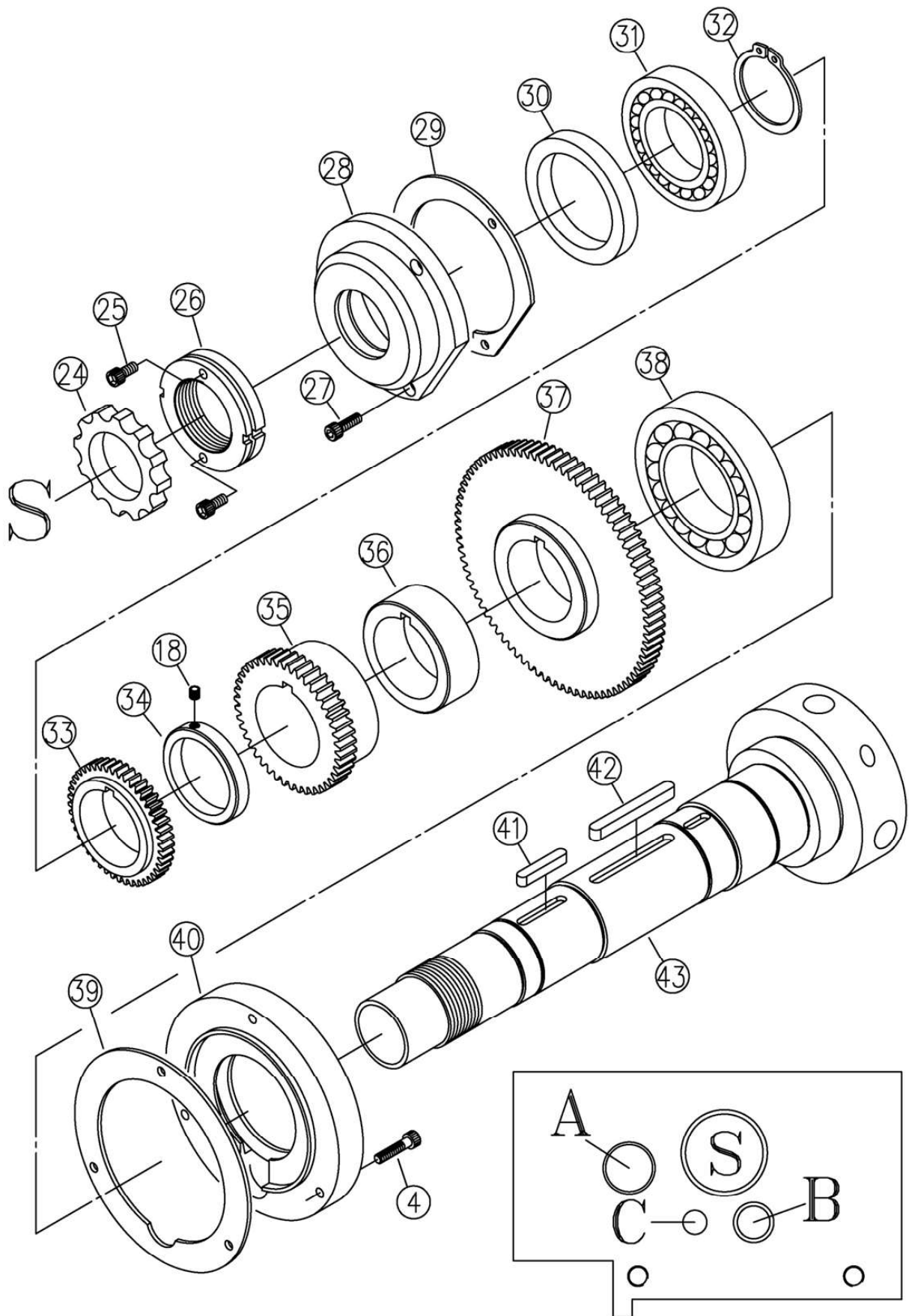
1. **Product:** 961V
2. **Stock no :** 961V 400V
3. **Brand :** PROMAC
4. **Description :** Working Space: 305mm (Swing Over Bed), 1016mm (Distance Between Centers)

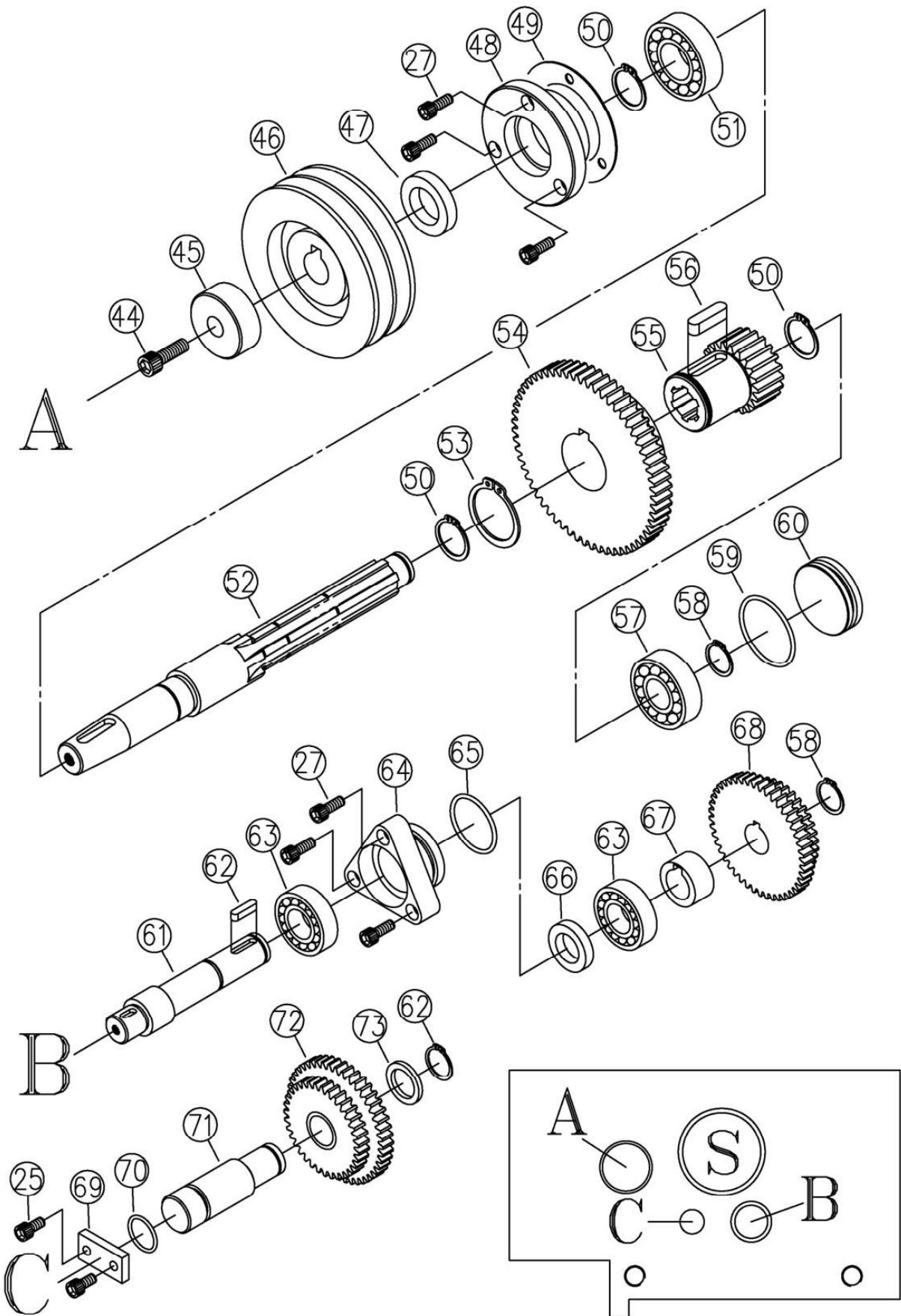


5. **Supplier :** GOSAN
6. **Supplier model :** 1340BV

# Headstock Assembly





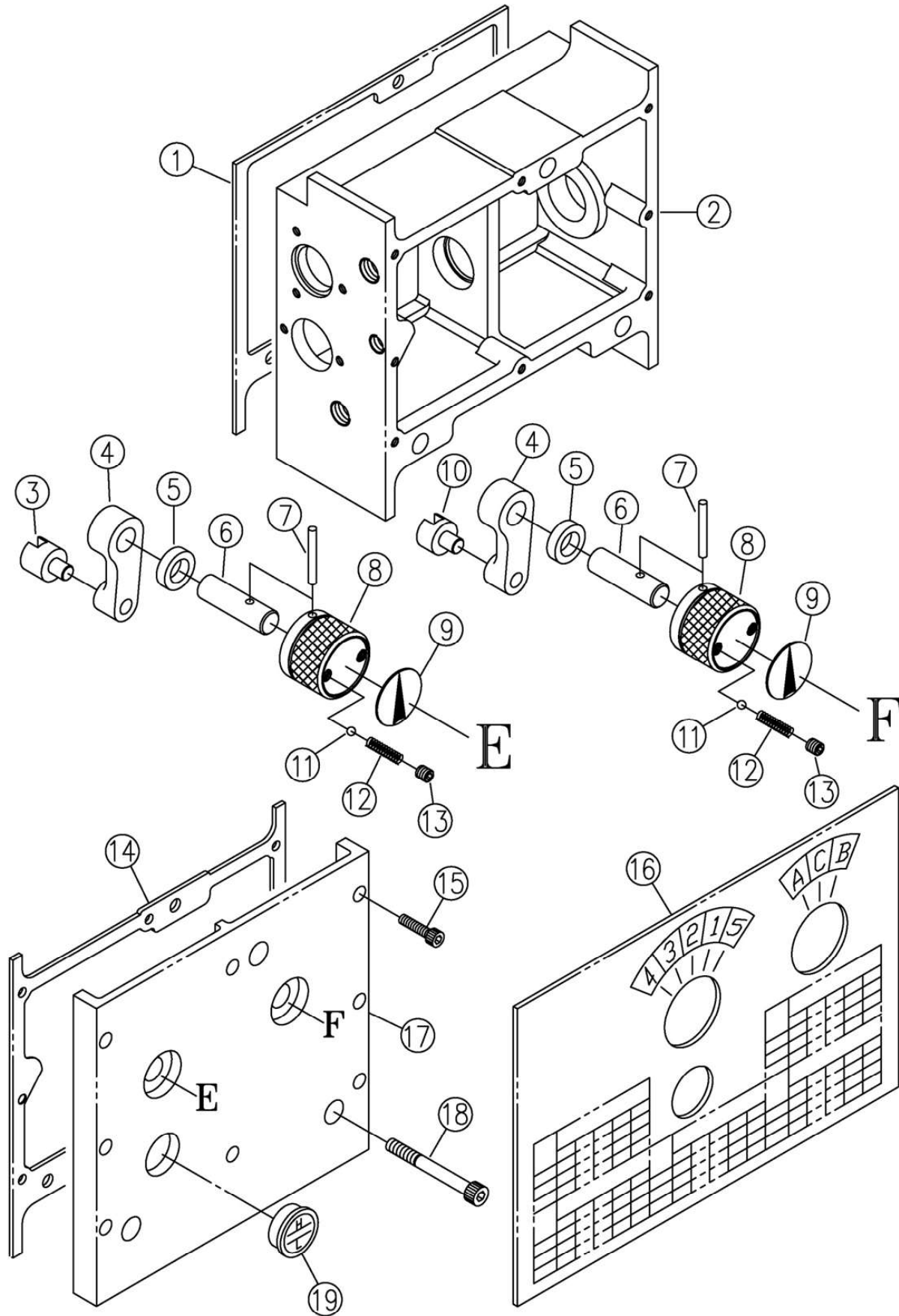


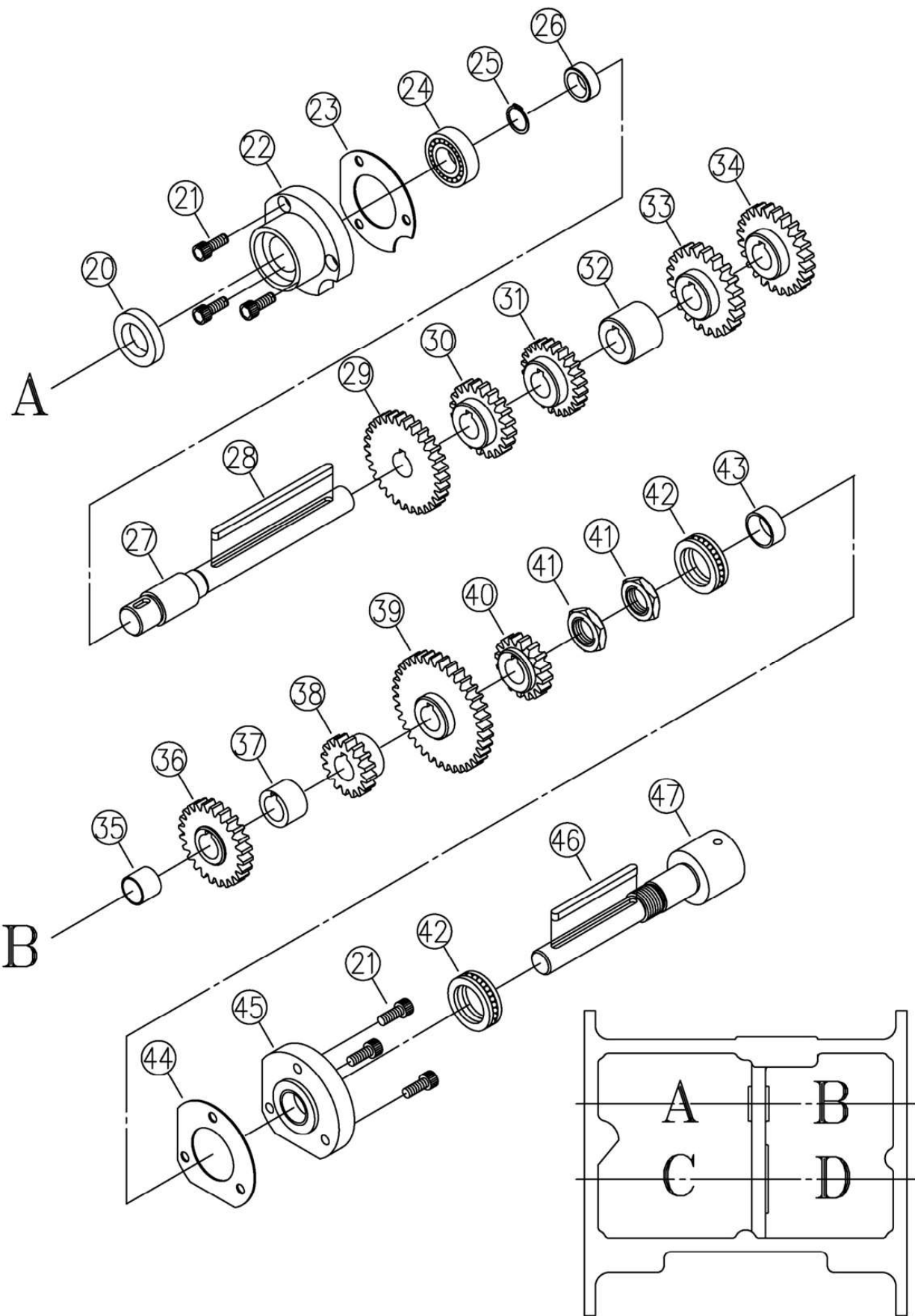
## Headstock Assembly Part List

Index No.	Part No.	Description	Size	Qty.
1	PM-960V-A01	Oil Seal		1
2	PM-960V-A02	Pin	Ø5x30	1
3	PM-960V-A03	Plug		1
4	TS-1503061	Socket Head Cap Screw	M6x25	13
5	PM-960V-A05	Headstock Cover	405Lx235x23H	1
6	PM-960V-A06	Shaft Fork	PCD62x50L	1
7	PM-960V-A07	Shift Fork	Ø19x26.5L	1
8	PM-960V-A08	Shaft	Ø19.05xØ16x425L	1
9	PM-960V-A09	Gasket For Headstock Cover 4163		1
10	PM-960V-A10	Pin	Ø5x40	2
11	PM-960V-A11	Handle	Ø45x35L	2
12	PM-960V-A12	Index Plate	Ø38	2
13	PM-960V-A13	Oil Seal		3
14	PM-960V-A14	Ball Steel	1/4"	2
15	PM-960V-A15	Spring	1/4"x27	2
16	TS-1524011	Set Screw	M8x8	2
17	PM-960V-A17	Shaft	Ø19.05x425L	1
18	TS-1523011	Set Screw	M6x6	5
19	PM-960V-A19	Shift Fork	122Lx55H	2
20	PM-960V-A20	Collar	Ø31.75xØ16x30W	1
21	PM-960V-A21	Shift Fork	20x20x28L	2
22	PM-960V-A22	Headstock Casting	405x235x238H	1
23	PM-960V-A23	Oil Sight		1
24	PM-960V-A24	Index Ring	Ø72xØ46x12W	1
25	PM-960V-A25	Socket Head Cap Screw	M6x12	4
26	PM-960V-A26	Collar	Ø28xØ20x8T	1
27	PM-960V-A27	Socket Head Cap Screw	M6x16	9
28	PM-960V-A28	Cover	Ø120xØ47x42	1
29	PM-960V-A29	Gasket For 4182		1
30	PM-960V-A30	Oil Seal		1
31	PM-960V-A31	Bearing	#30210	1
32	PM-960V-A32	Circlip	Ø50	1
33	PM-960V-A33	Gear	Ø82.25xØ52x20W	1
34	PM-960V-A34	Collar	Ø65xØ52x10W	1
35	PM-960V-A35	Gear	Ø92xØ55x39W	1
36	PM-960V-A36	Collar	Ø75xØ55x26W	1
37	PM-960V-A37	Gear	Ø168xØ55x25W	1
38	PM-960V-A38	Bearing	#32212	1
39	PM-960V-A39	Gasket For 5133		1
40	PM-960V-A40	Cover	Ø150xØ71x26W	1
41	PM-960V-A41	Key	7x7x30	1
42	PM-960V-A42	Key	8x8x70	1
43	PM-960V-A43	Main Spindle	Ø117.5x408.1L	1
44	PM-960V-A44	Socket Head Cap Screw	M8x25	1
45	PM-960V-A45	Washer	Ø44xØ7.9x17W	1
46	PM-960V-A46	Pulley	Ø114.3xØ21.35x50W	1
47	PM-960V-A47	Oil Seal		1
48	PM-960V-A48	Cover	Ø80xØ35x21L	1
49	PM-960V-A49	Gasket For 4164		1
50	PM-960V-A50	Circlip	Ø25	2
51	PM-960V-A51	Bearing	#6205	1
52	PM-960V-A52	Shaft	Ø30x302L	1
53	PM-960V-A53	Circlip	Ø38	1
54	PM-960V-A54	Gear	Ø124xØ38x35W	1
55	PM-960V-A55	Gear	Ø48x61L	1
56	PM-960V-A56	Key	8x8x30	1
57	PM-960V-A57	Bearing	#6204	1
58	PM-960V-A58	Circlip	Ø20	3
59	PM-960V-A59	O-Ring	Ø42	1

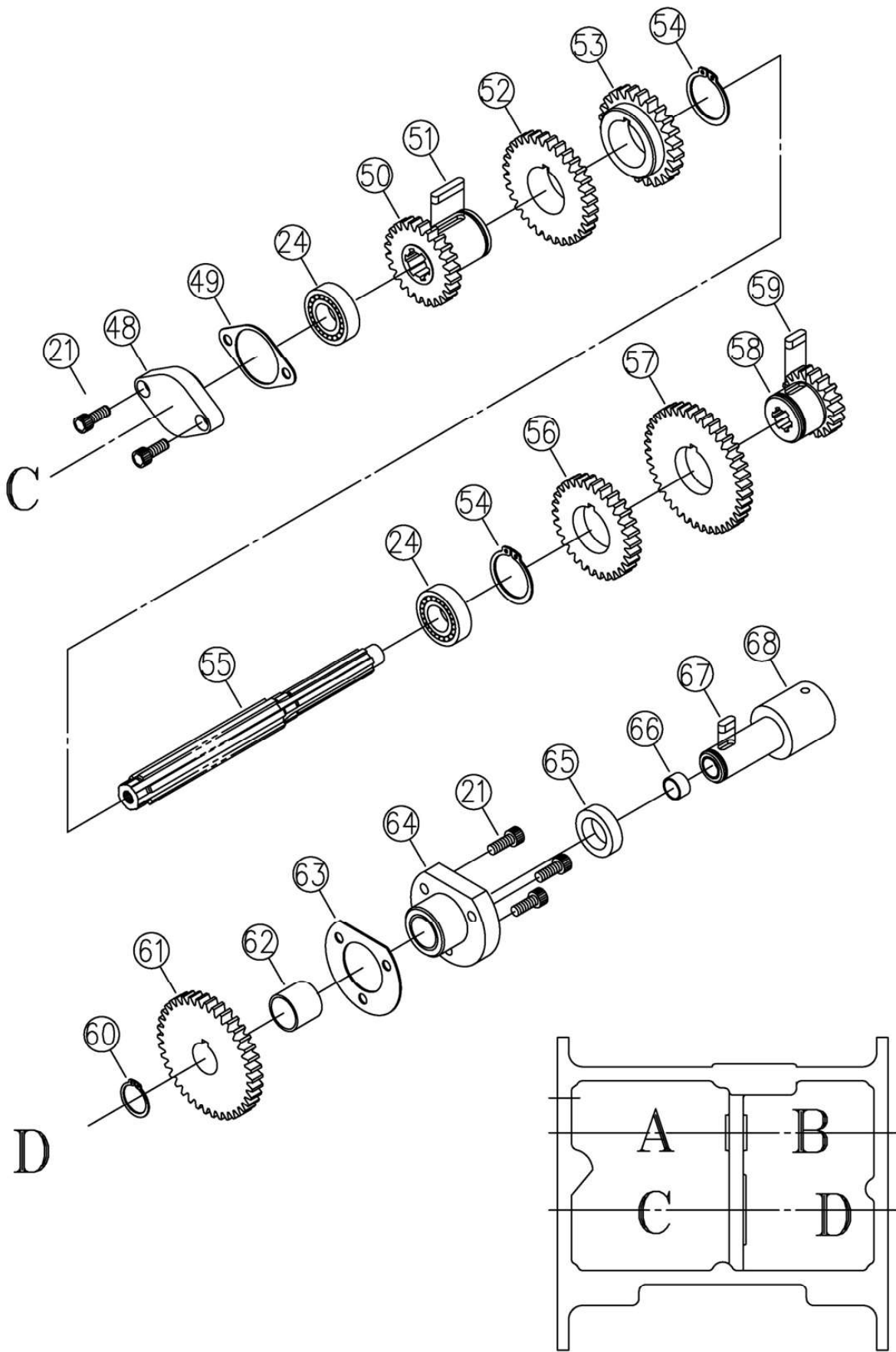
Index No.	Part No.	Description	Size	Qty.
60	PM-960V-A60	Plug	Ø47x12W	1
61	PM-960V-A61	Shaft	Ø25x109L	1
62	PM-960V-A62	Key	5x5x20	1
63	PM-960V-A63	Bearing	#6004	2
64	PM-960V-A64	Cover	Ø42xØ32x32L	1
65	PM-960V-A65	O-Ring	Ø34	1
66	PM-960V-A66	Oil Seal		1
67	PM-960V-A67	Collar	Ø30xØ20x16W	1
68	PM-960V-A68	Gear	Ø82.25xØ20x21W	1
69	PM-960V-A69	Shaft Fixed plate		1
70	PM-960V-A70	O-Ring	Ø20	1
71	PM-960V-A71	Shaft	Ø25x85L	1
72	PM-960V-A72	Gear	Ø82.25xØ20x21W	1
73	PM-960V-A73	Collar	Ø28xØ20x3W	1

# Gear Box Assembly







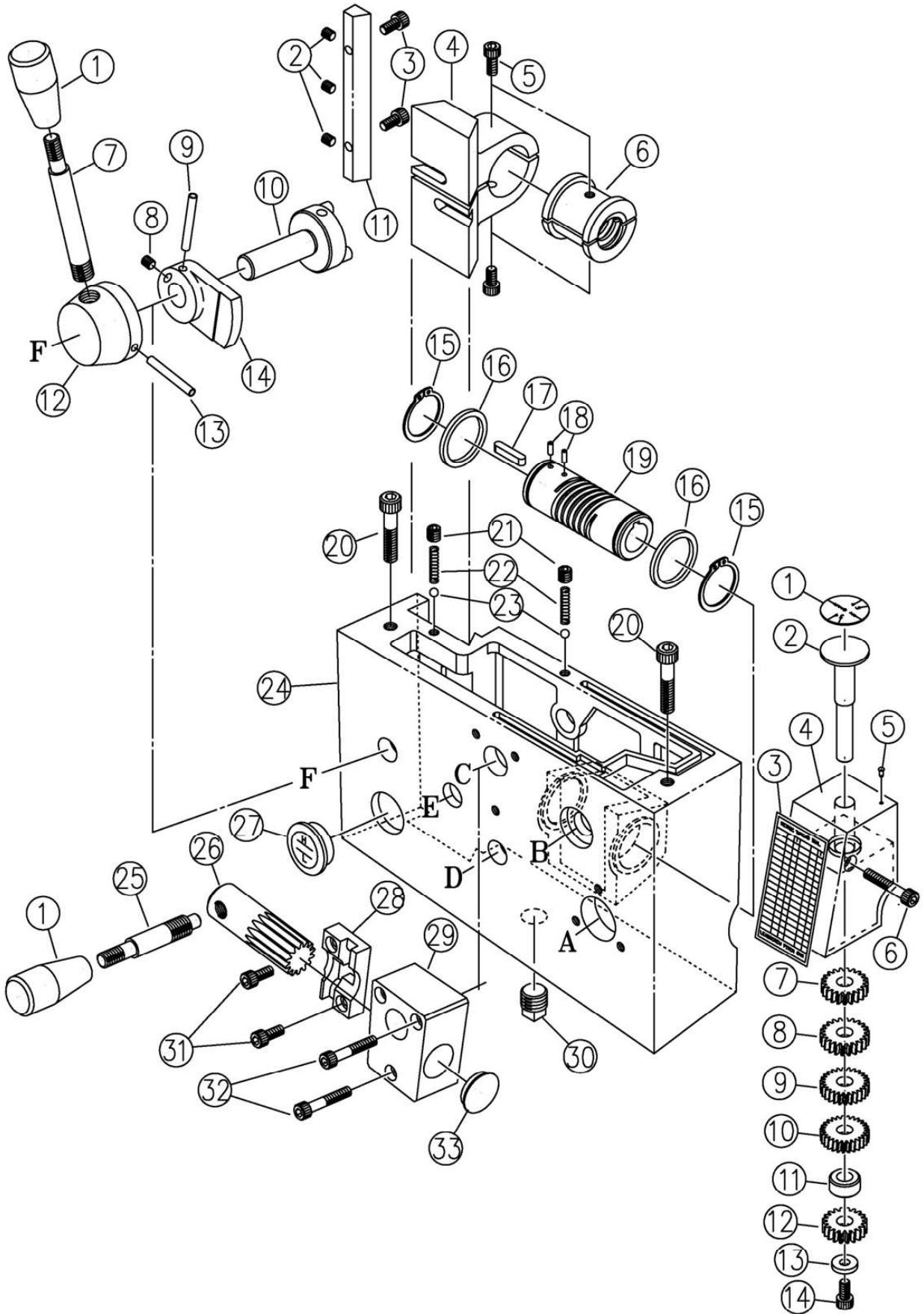


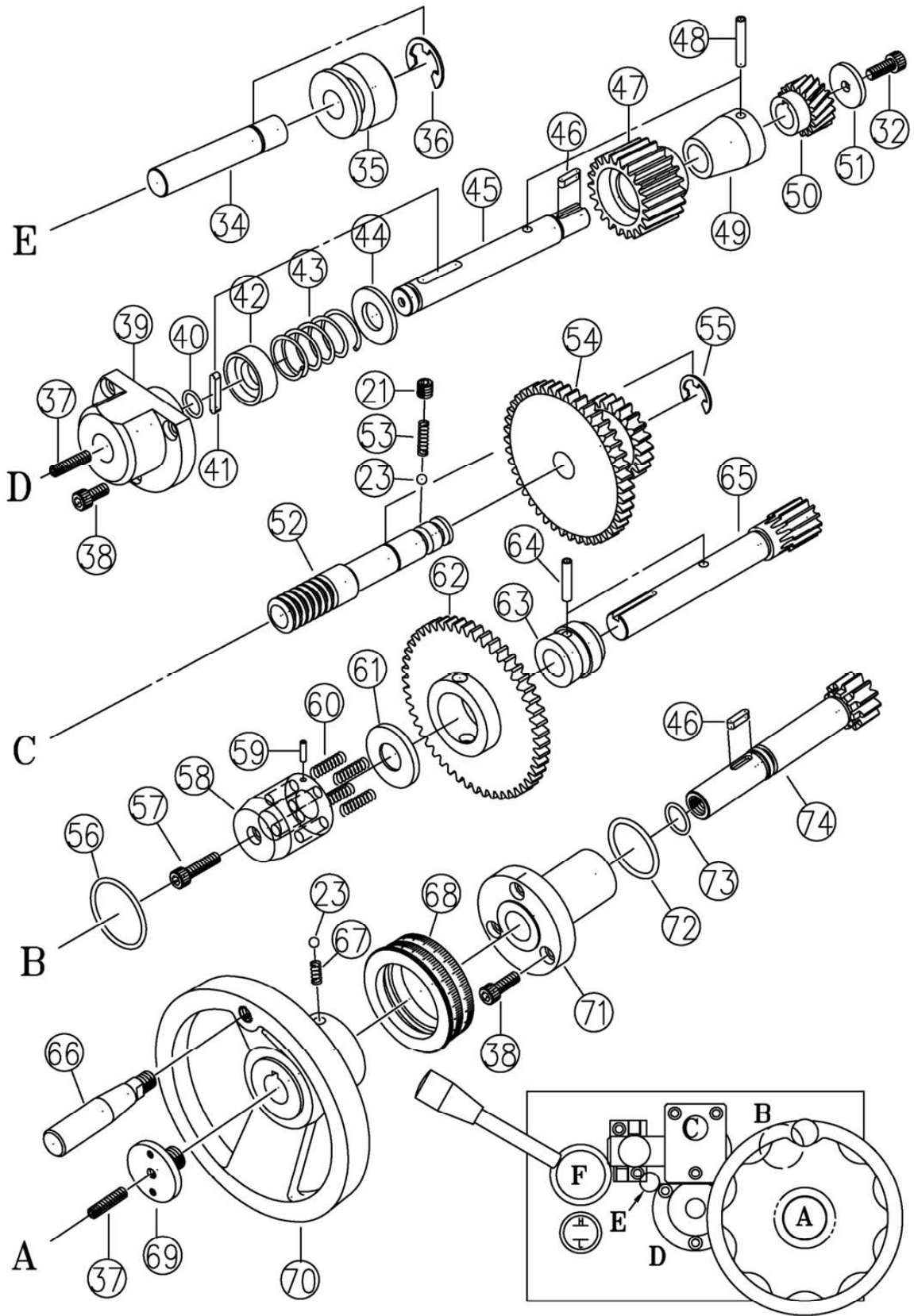
## Gear Box Assembly Part List

Index No.	Part No.	Description	Size	Qty.
1	PM-960V-B01	Gasket For Gearbox 42001		1
2	PM-960V-B02	Gear box casting	235x223x95	1
3	PM-960V-B03	Shift Fork	Ø22xØ8x30L	1
4	PM-960V-B04	Shift Lever	PCD50x18T	2
5	PM-960V-B05	Oil Seal		1
6	PM-960V-B06	Lever	Ø16x55L	2
7	PM-960V-B07	Pin	Ø5x40	2
8	PM-960V-B08	Handle	Ø45x35L	2
9	PM-960V-B09	Index Plate	Ø38	2
10	PM-960V-B10	Shift Fork	Ø22xØ8x25L	1
11	PM-960V-B11	Ball Steel	1/4"	2
12	PM-960V-B12	Spring	1/4"x27	2
13	TS-1524011	Set Screw	M8x8	2
14	PM-960V-B14	Gasket For Gearbox Cover42002		1
15	TS-1503061	Socket Head Cap Screw	M6x25	8
16	PM-960V-B16	Panel	329x223	1
17	PM-960V-B17	Gear box cover	235x223x20	1
18	TS-1504131	Socket Head Cap Screw	M8x70	1
19	PM-960V-B19	Oil Sight		1
20	PM-960V-B20	Oil Seal		1
21	TS-1503041	Socket Head Cap Screw	M6x16	11
22	PM-960V-B22	Cover	Ø66xØ23x33L	1
23	PM-960V-B23	Gasket For 42012		1
24	PM-960V-B24	Bearing	#6003	3
25	PM-960V-B25	Circlip	Ø16	1
26	PM-960V-B26	Collar	Ø16xØ22x8.5L	1
27	PM-960V-B27	Shaft	Ø22x180.5L	1
28	PM-960V-B28	Key	5x5x100	1
29	PM-960V-B29	Gear	Ø64xØ16x16.5L	1
30	PM-960V-B30	Gear	Ø48xØ16x16L	1
31	PM-960V-B31	Gear	Ø48xØ16x16L	1
32	PM-960V-B32	Collar	Ø30xØ16x24.5L	1
33	PM-960V-B33	Gear	Ø57.7xØ16x16L	1
34	PM-960V-B34	Gear	Ø57.4xØ16x18L	1
35	PM-960V-B35	Bearing		1
36	PM-960V-B36	Gear	Ø54xØ16x12L	1
37	PM-960V-B37	Collar	Ø24xØ16x16W	1
38	PM-960V-B38	Gear	Ø38xØ16x19.5L	1
39	PM-960V-B39	Gear	Ø76xØ16x15L	1
40	PM-960V-B40	Gear	Ø40xØ16x12L	1
41	TS-0571082	Nut	3/4"~16NFx6T	2
42	PM-960V-B42	Thrust Bearing	#51104	2
43	PM-960V-B43	Bearing		1
44	PM-960V-B44	Gasket For 42042		1
45	PM-960V-B45	Cover	Ø70xØ20x24L	1
46	PM-960V-B46	Key	5x5x70	1
47	PM-960V-B47	Shaft	Ø35xØ16x154.5L	1
48	PM-960V-B48	Cover	Ø35xØ31x13.4L	1
49	PM-960V-B49	Gasket For 2205		1
50	PM-960V-B50	Gear	Ø54xØ20x45.5L	1
51	PM-960V-B51	Key	5x5x25	1
52	PM-960V-B52	Gear	Ø70xØ30x16.5L	1
53	PM-960V-B53	Gear	Ø61.4xØ30x16L	1
54	PM-960V-B54	Circlip	Ø30	2
55	PM-960V-B55	Shaft	Ø20x204L	1
56	PM-960V-B56	Gear	Ø64xØ30x9L	1
57	PM-960V-B57	Gear	Ø80xØ30x8.5L	1
58	PM-960V-B58	Gear	Ø42xØ16x30.5L	1
59	PM-960V-B59	Key	5x5x15	1

<b>Index No.</b>	<b>Part No.</b>	<b>Description</b>	<b>Size</b>	<b>Qty.</b>
60	PM-960V-B60	Circlip	Ø20	1
61	PM-960V-B61	Gear	Ø78xØ20x14.5L	1
62	PM-960V-B62	Bearing		1
63	PM-960V-B63	Gasket For 42032		1
64	PM-960V-B64	Cover	Ø61xØ20x32L	1
65	PM-960V-B65	Oil Seal		1
66	PM-960V-B66	Bearing		1
67	PM-960V-B67	Key	5x5x12	1
68	PM-960V-B68	Shaft	Ø34xØ20x85L	1

# Apron Assembly



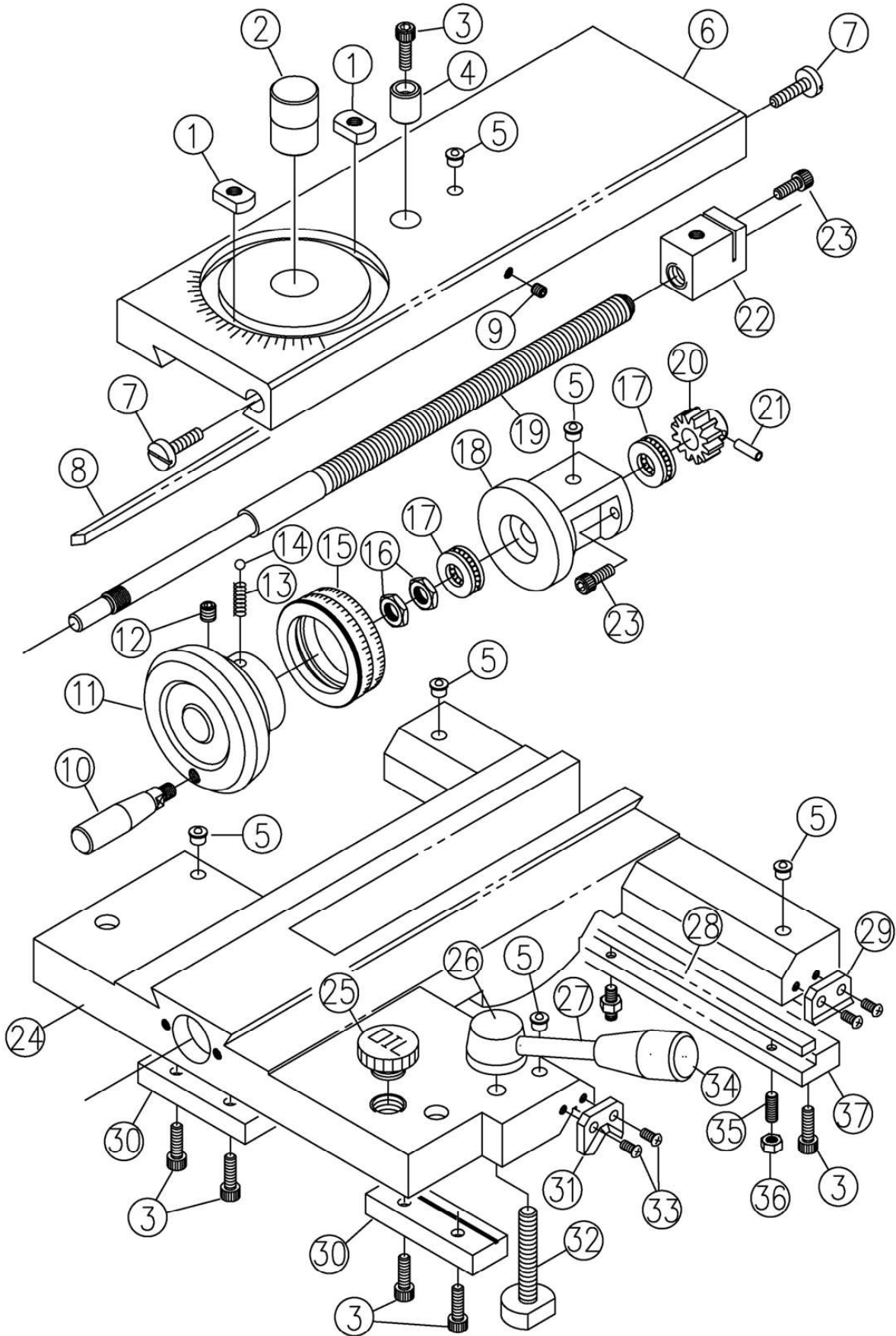


## Apron Assembly Part List

Index No.	Part No.	Description	Size	Qty.
1	PM-960V-C01	Handle		2
2	TS-1523031	Set Screw	M6x10	3
3	TS-1503051	Socket Head Cap Screw	M6x20	2
4	PM-960V-C04	Halfnut bracket+5342	105Lx50Wx71H	1
5	TS-1503021	Socket Head Cap Screw	M6x10	2
6	PM-960V-C06	Halfnut 4MM+5343	Ø42x40L	1
7	PM-960V-C07	Lever	Ø1/2"x107L	1
8	TS-1523011	Set Screw	M6x6	1
9	PM-960V-C09	Pin	Ø5x36	1
10	PM-960V-C10	Shaft	Ø39.9x61L	1
11	PM-960V-C11	Gib	13.8Wx10Hx125L	1
12	PM-960V-C12	Handle	Ø50x30L	1
13	PM-960V-C13	Pin	Ø5x40	1
14	PM-960V-C14	Lever	62Lx36Wx17H	1
15	PM-960V-C15	Circlip	Ø30	2
16	PM-960V-C16	Collar	Ø38.1xØ31x3T	2
17	PM-960V-C17	Key	5x5x25	1
18	PM-960V-C18	Pin	Ø3x8	2
19	PM-960V-C19	Worm	Ø19.05xØ31x84L	1
20	TS-1504081	Socket head cap screw	M8x40	2
21	TS-1524011	Set Screw	M8x8	3
22	PM-960V-C22	Spring	1/4"x25	2
23	SB-1/4	Ball Steel	1/4"	4
24	PM-960V-C24	Apron	276Lx76Wx172H	1
25	PM-960V-C25	Lever	Ø1/2"x80L	1
26	PM-960V-C26	Gear shaft 1.5M 14T	Ø24x67L	1
27	PM-960V-C27	Oil Sight		1
28	PM-960V-C28	Cam	50Lx30Wx12H	1
29	PM-960V-C29	Keep assy	65Lx50Wx35H	1
30	PM-960V-C30	Plug	1/4"x3	1
31	TS-1503031	Socket Head Cap Screw	M6x12	3
32	TS-1503081	Socket Head Cap Screw	M6x35	3
33	PM-960V-C33	Plug	Ø28x8W	1
34	PM-960V-C34	Shaft	Ø16x77L	1
35	PM-960V-C35	Collar	Ø38xØ16x30L	1
36	PM-960V-C36	Circlip	Ø15	1
37	TS-1523071	Set Screw	M6x25	2
38	TS-1503041	Socket Head Cap Screw	M6x16	6
39	PM-960V-C39	Cover	Ø77xØ16x43W	1
40	PM-960V-C40	O-Ring	Ø11	1
41	PM-960V-C41	Key	4x4x25	1
42	PM-960V-C42	Collar	Ø30xØ16x11W	1
43	PM-960V-C43	Spring	Ø28xØ21.6x45L	1
44	PM-960V-C44	Washer	Ø32xØ16x3T	1
45	PM-960V-C45	Shaft	Ø16xØ11.8x132L	1
46	PM-960V-C46	Key	4x4x15	2
47	PM-960V-C47	Gear	Ø48x36L	1
48	PM-960V-C48	Pin	Ø5x30	1
49	PM-960V-C49	Collar	Ø30xØ16x37	1
50	PM-960V-C50	Worm gear 1.5M 18T	Ø30xØ14x23L	1
51	PM-960V-C51	Washer	Ø25xØ1/4"x3T	1
52	PM-960V-C52	Shaft	Ø20x122L	1
53	PM-960V-C53	Spring	1/4"x20	1
54	PM-960V-C54	Gear 2M 44/22T	Ø16 孔 x27L	1
55	PM-960V-C55	Circlip	Ø12	1
56	PM-960V-C56	O-Ring	Ø36	1
57	TS-1503061	Socket Head Cap Screw	M6x25	1
58	PM-960V-C58	Collar	Ø36xØ16x42L	1
59	PM-960V-C59	Pin	Ø3x12	1

<b>Index No.</b>	<b>Part No.</b>	<b>Description</b>	<b>Size</b>	<b>Qty.</b>
60	PM-960V-C60	Spring	1/4"x35	4
61	PM-960V-C61	Washer	Ø36xØ16x8T	1
62	PM-960V-C62	Gear	Ø104x22W	1
63	PM-960V-C63	Collar	Ø16x27L,Ø34xØ27.8	1
64	PM-960V-C64	Pin	Ø5x25	1
65	PM-960V-C65	Shaft	Ø22.5x120L	1
66	PM-960V-C66	Handle	Ø5/8"x77L	1
67	PM-960V-C67	Spring	1/4"x8	1
68	PM-960V-C68	Index ring	Ø63xØ45x20W	1
69	PM-960V-C69	Plug	Ø35x15L	1
70	PM-960V-C70	Handwheel	Ø140x68H	1
71	PM-960V-C71	Keep assy	Ø60xØ18x57L	1
72	PM-960V-C72	O-Ring	Ø30	1
73	PM-960V-C73	O-Ring	Ø14	1
74	PM-960V-C74	Shaft 2M 12T	Ø28x108L	1

# Carriage Assembly

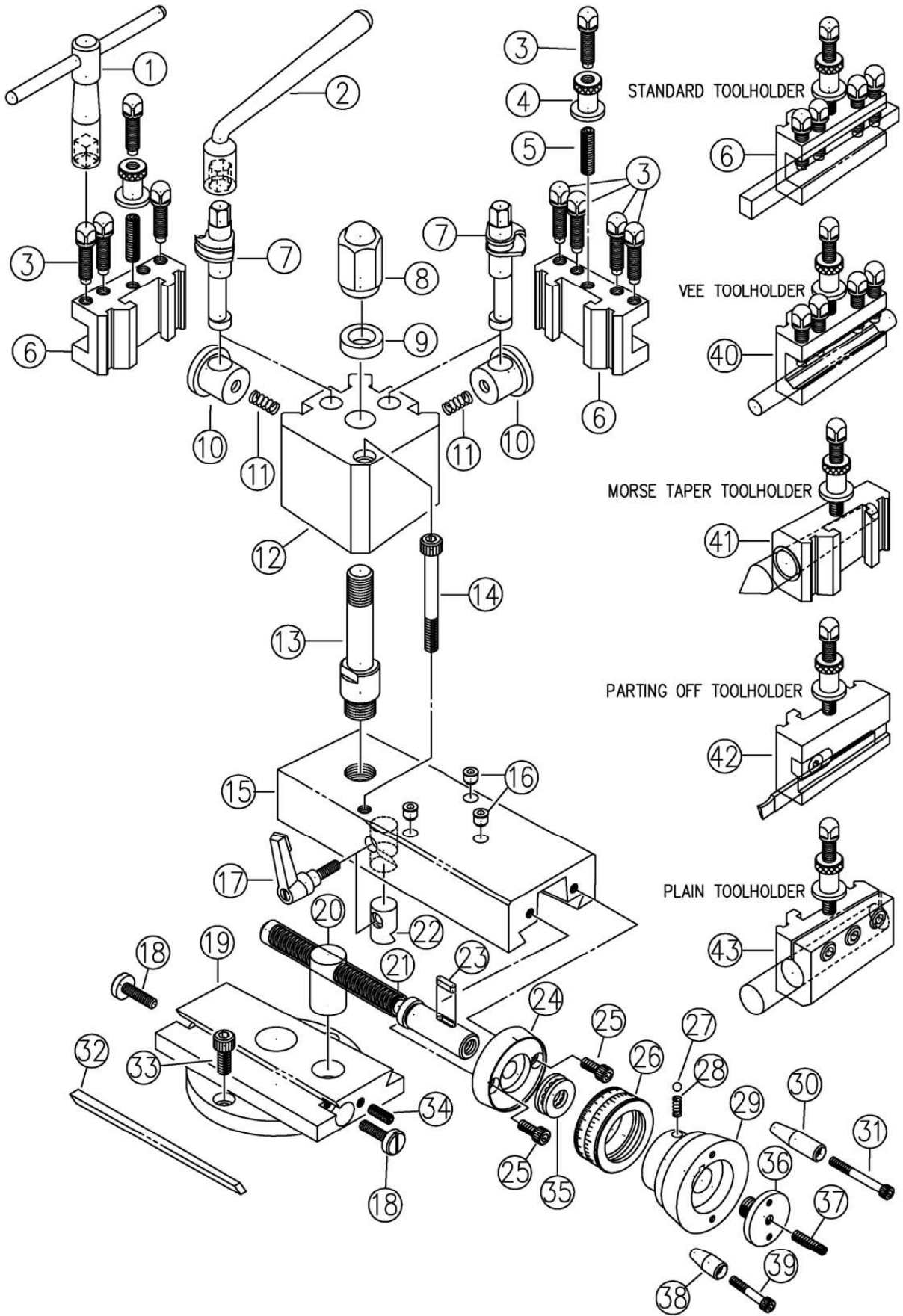




## Carriage Assembly Part List

Index No.	Part No.	Description	Size	Qty.
1	PM-960V-D01	Nut	Ø7/8"x14Wx6.5T	2
2	PM-960V-D02	Pirot	Ø25.4x35L	1
3	TS-1503051	Socket Head Cap Screw	M6x20	8
4	PM-960V-D04	Collar	Ø16x18.5L	1
5	PM-960V-D05	Oiler		5
6	PM-960V-D06	Cross Slide Cover	115Wx355Lx29H	1
7	PM-960V-D07	Gib Screw	Ø5/8"x30L	2
8	PM-960V-D08	Gib	205L	1
9	TS-1523011	Set Screw	M6x6	1
10	PM-960V-D10	Handle	Ø5/8"x68L	1
11	PM-960V-D11	Hand Wheel	Ø85xØ10x45L	1
12	TS-1524011	Set Screw	M8x8	1
13	PM-960V-D13	Spring	1/4"x8	1
14	SB-1/4	Ball Steel	1/4"	1
15	PM-960V-D15	Index Ring	Ø61.5~Ø60xØ45x20L	1
16	TS-1540083	Nut	M12xPC1.25x4T	2
17	PM-960V-D17	Thrust Bearing		2
18	PM-960V-D18	Keep Ass'y	Ø60xØ12x66L	1
19	PM-960V-D19	Screw +4405	Ø5/8"x404L	1
20	PM-960V-D20	Gear	Ø27.9xØ12x20L	1
21	PM-960V-D21	Pin	Ø5x16	1
22	PM-960V-D22	Nut +4404	24Wx40Lx29H	1
23	TS-1503041	Socket Head Cap Screw	M6x16	3
24	PM-960V-D24	Saddle Casting	295Wx307L	1
25	PM-960V-D25	Plug		1
26	PM-960V-D26	Handle	Ø5/4"x22W	1
27	PM-960V-D27	Lever	Ø3/8"x72L	1
28	PM-960V-D28	Gib	295Lx10Wx6T	1
29	PM-960V-D29	Wiper		1
30	PM-960V-D30	Strip	80Lx26Wx13T	2
31	PM-960V-D31	Wiper		1
32	PM-960V-D32	Set Screw	Ø9/8"x67L	1
33	PM-960V-D33	Screw	M3/16"x3	8
34	PM-960V-D34	Handle		1
35	TS-1523051	Set Screw	M6x16	3
36	PM-960V-D36	Nut		3
37	PM-960V-D37	Strip	295Lx28W15H	1

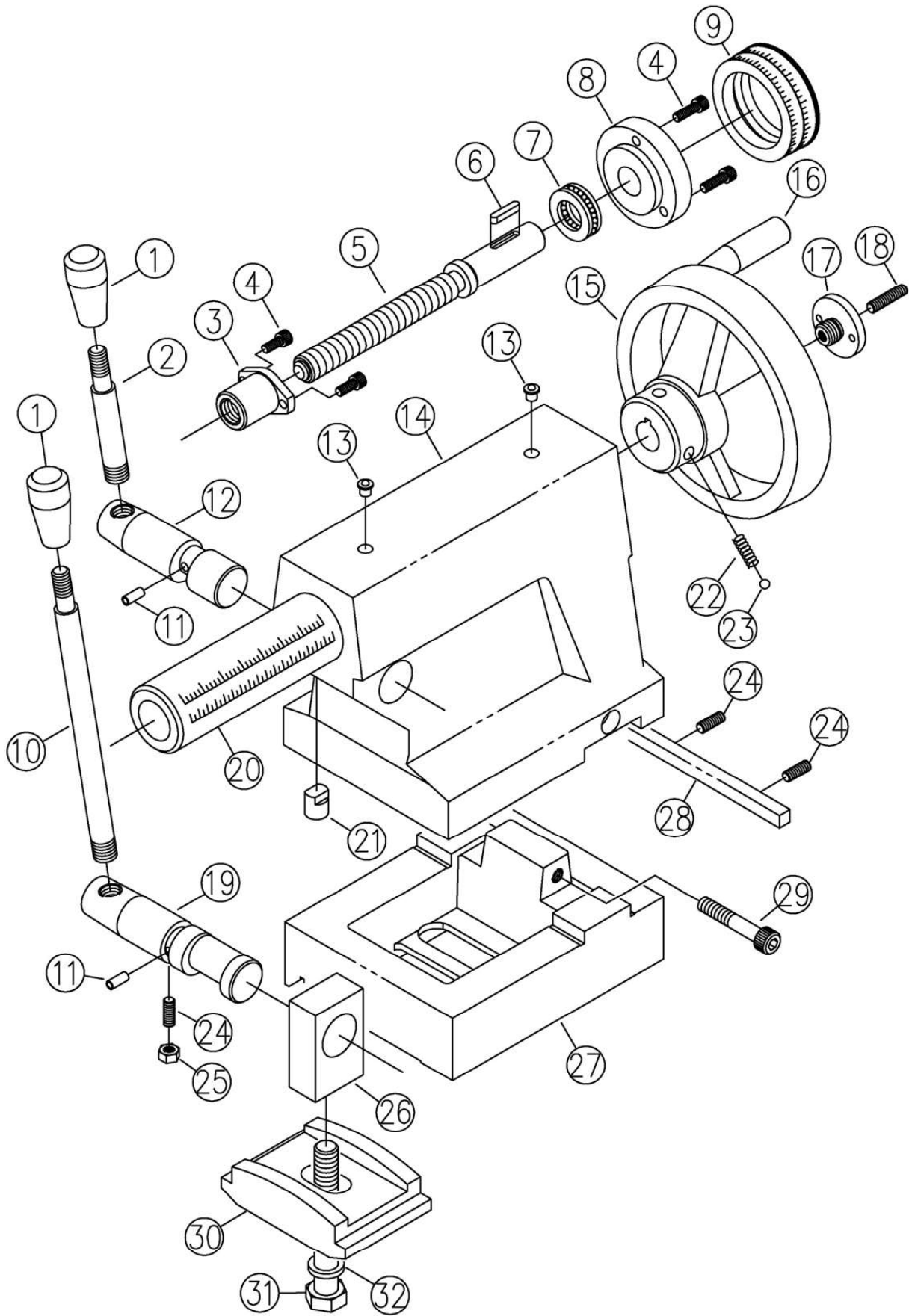
# Toolpost Assembly



## Toolpost Assembly Part List

Index No.	Part No.	Description	Size	Qty.
1	PM-960V-E01	Wrench		1
2	PM-960V-EF2	Lever		1
3	PM-960V-EF3	Screw		10
4	PM-960V-EF4	Collar		2
5	PM-960V-EF5	Set Screw	M8x30	2
6	PM-960V-EF6	Standard toolholder		1
7	PM-960V-EF7	Shaft		2
8	PM-960V-EF8	Nut	Ø23x50L	1
9	PM-960V-EF9	Washer	Ø26xØ16.6x11T	1
10	PM-960V-EF10	Lock nut		2
11	PM-960V-EF11	Spring	3/8"x8	2
12	PM-960V-EF12	Quick change toolpost		1
13	PM-960V-E13	Shaft	Ø24x106.5L	1
14	PM-960V-E14	Socket Head Cap Screw	M8x75	1
15	PM-960V-E15	Top Slide	200Lx75Wx37H	1
16	PM-960V-E16	Oiler		3
17	PM-960V-E17	Handle		1
18	PM-960V-E18	Slotted Screws	Ø5/8"x30L	2
19	PM-960V-E19	Swiveled Slide	12" 140Lx75Wx35H	1
20	PM-960V-E20	Nut +4504	Ø20x40L	1
21	PM-960V-E21	Screw +4505	Ø15.8x170L	1
22	PM-960V-E22	Pad	Ø16x24L	1
23	PM-960V-E23	Key	8x8x15	1
24	PM-960V-E24	Keep Ass'y	Ø52.5xØ12x15L	1
25	TS-1503051	Socket Head Cap Screw	M6x20	2
26	PM-960V-E26	Index Ring	Ø49.5~Ø48xØ35x20L	1
27	PM-960V-E27	Ball Steel		1
28	PM-960V-E28	Spring	1/4"x20	1
29	PM-960V-E29	Handwheel	Ø62xØ10x42L	1
30	PM-960V-E30	Handle	Ø11xØ5.3x40L	1
31	TS-1502101	Socket Head Cap Screw	M5x45	1
32	PM-960V-E32	Gib	12x20x190	1
33	TS-1504031	Socket Head Cap Screw	M8x16	2
34	TS-1523051	Set Screw	M6x16	1
35	PM-960V-E35	Thrust Bearing	#51103	1
36	PM-960V-E36	Plug	Ø35x15L	1
37	TS-1523071	Set Screw	M6x25	1
38	PM-960V-E38	Handle	Ø11xØ5.3x25L	1
39	TS-1502071	Socket Head Cap Screw	M5x30	1
40	PM-960V-EF40	Vee toolholder		1
41	PM-960V-EF41	MT toolholder		1
42	PM-960V-EF42	Parting off toolholder		1
43	PM-960V-EF43	Plain toolholder		1
	PM-960V-E15A	Top Slide Assembly	W/O #41, 42, 43)	1

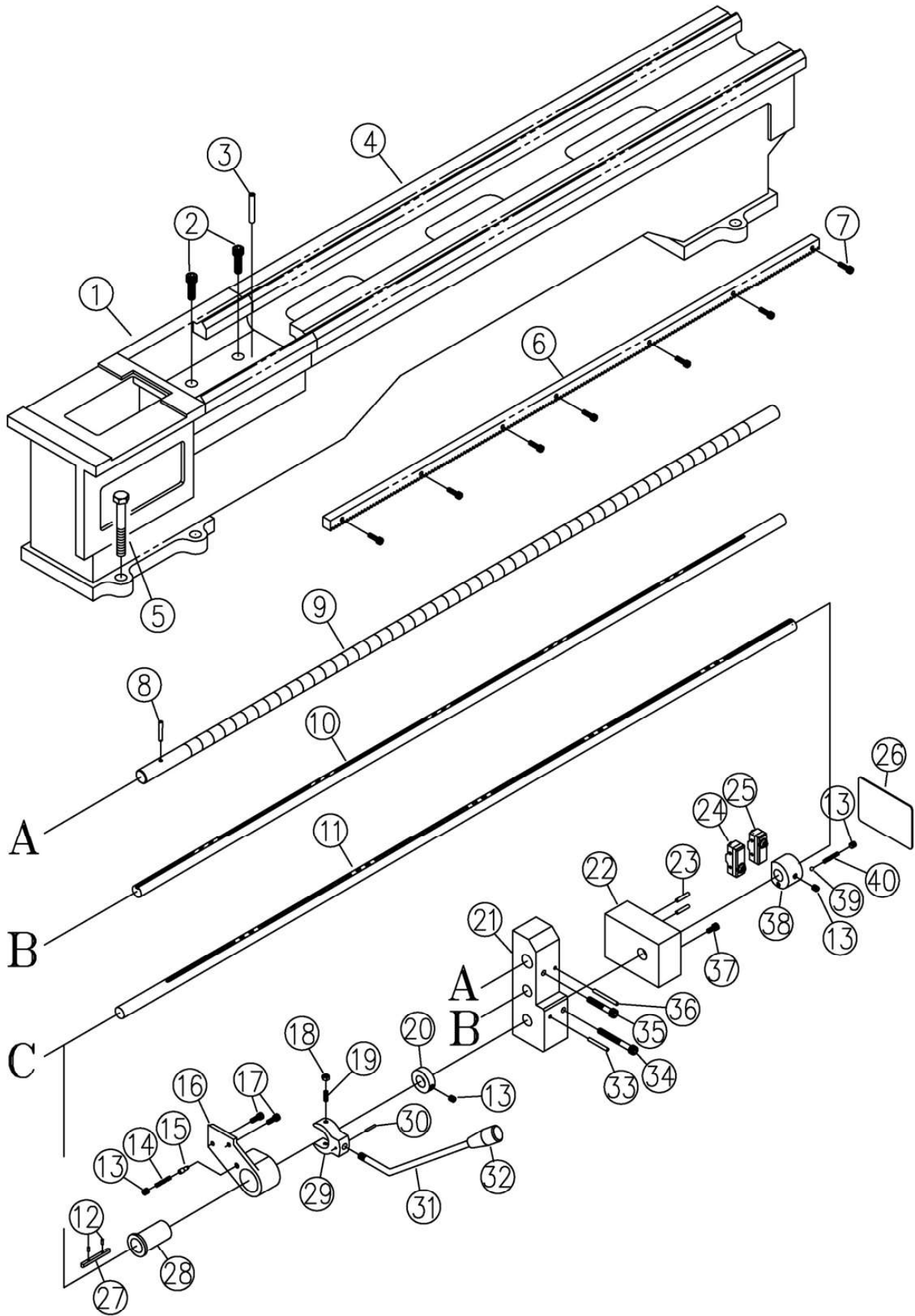
# Tailstock Assembly



## Tailstock Assembly Part List

Index No.	Part No.	Description	Size	Qty.
1	PM-960V-F01	Handle		2
2	PM-960V-F02	Lever	Ø1/2"x85L	1
3	PM-960V-F03	Nut +5604	30L	1
4	TS-1502031	Socket Head Cap Screw	M5x12	5
5	PM-960V-F05	Screw +5605	Ø20.5x179L	1
6	PM-960V-F06	Key	4x4x20	1
7	PM-960V-F07	Thrust	#51102	1
8	PM-960V-F08	Keep Ass'y	Ø17xØ60x17L	1
9	PM-960V-F09	Index Ring	Ø61.5~Ø60xØ45x20W	1
10	PM-960V-F10	Lever	Ø1/2"x190L	1
11	PM-960V-F11	Pin	Ø5x12	1
12	PM-960V-F12	Shaft	Ø25xØ16x91L	1
13	PM-960V-F13	Oiler		2
14	PM-960V-F14	Tall stock Casting	~1Ø32x112H,~2Ø40x125H	1
15	PM-960V-F15	Handle Wheel	Ø140x68H	1
16	PM-960V-F16	Handle	Ø5/8"x77L	1
17	PM-960V-F17	Screw	Ø35x16L	1
18	TS-1523071	Set Screw	M6x25	1
19	PM-960V-F19	Shaft	Ø25xØ18x114L	1
20	PM-960V-F20	Barrel	~1Ø32x176L,~2Ø40x190L	1
21	PM-960V-F21	Pad	~1Ø1/2"x10L,~2Ø1/2"x14L	1
22	PM-960V-F22	Spring	1/4"x20	1
23	PM-960V-F23	Ball Steel		1
24	TS-1523051	Set Screw	M6x16	3
25	PM-960V-F25	Nut		1
26	PM-960V-F26	Pirot Block	36Lx20Wx57H	1
27	PM-960V-F27	Base	~1 25x52,~2 41x64.2	1
28	PM-960V-F28	Gib	8x8x125L	1
29	TS-1504091	Socket Head Cap Screw	M8x45	2
30	PM-960V-F30	Clamp Plate	94Lx65Wx28H	1
31	PM-960V-F31	Socket Hex Set Screw	1/2"-30	1
32	PM-960V-F32	Washer		1

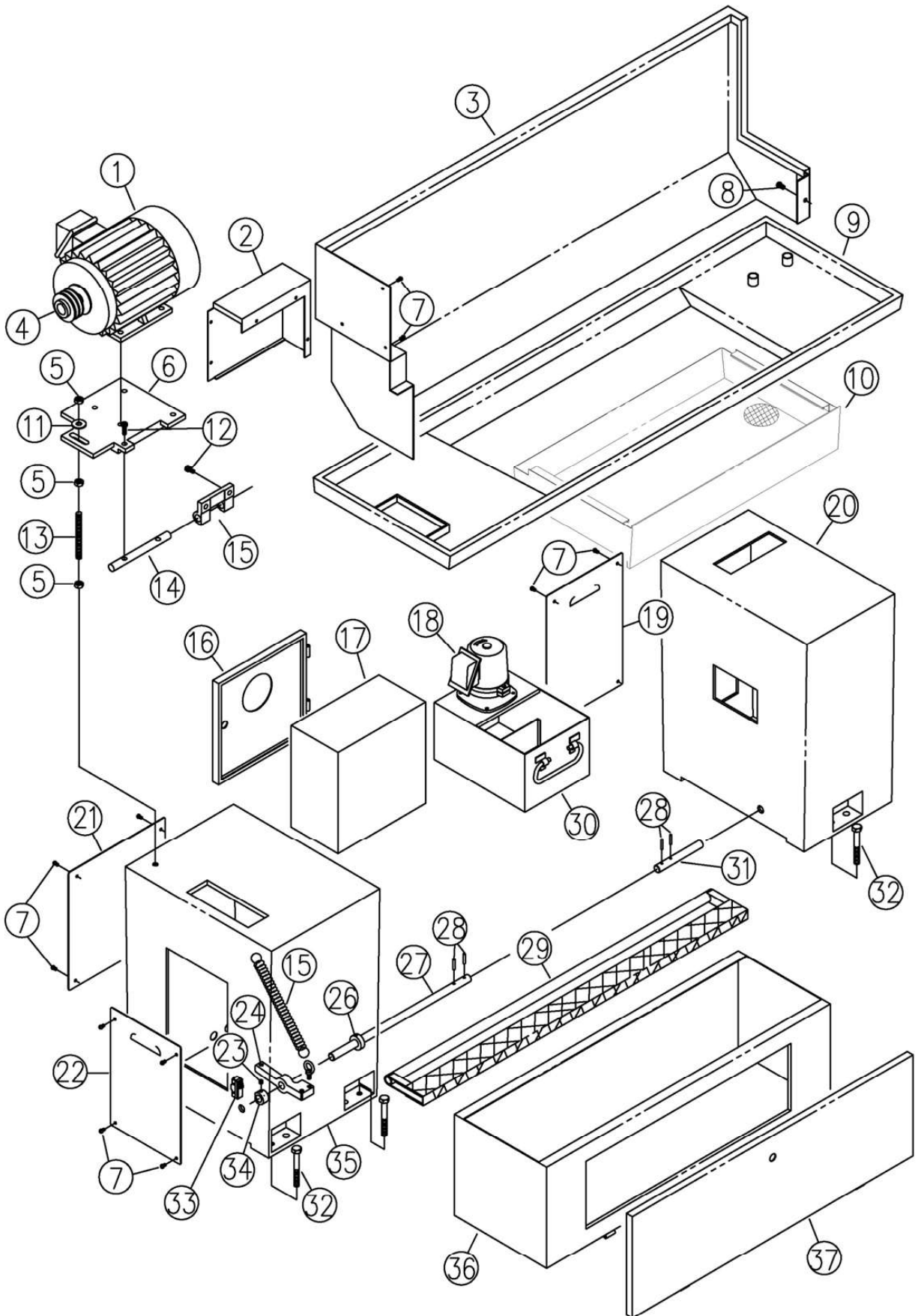
# Bed Assembly



## Bed Assembly Part List

Index No.	Part No.	Description	Size	Qty.
1	PM-960V-G01	Gap	240Lx19w0x70H	1
2	PM-960V-G02	Socket Head Cap Screw	M10x35	2
3	PM-960V-G03	Taper Pin		2
4	PM-961V-G04	Bed Casting 1240	1625L	1
5	PM-960V-G05	Hex Cap Screw	M1/2"x16	6
6	PM-961V-G06	Rack 961V	1090L	1
7	PM-960V-G07	Socket Head Cap Screw	M6x20	7
8	PM-960V-G08	Pin	Ø5x30	1
9	PM-961V-G09	Lead screw 961V	1350L	1
10	PM-961V-G10	Feed Shaft 961V	1370L	1
11	PM-961V-G11	Third-Rod Shaft 961V		1
12	PM-960V-G12	Pin	Ø3x8	2
13	PM-960V-G13	Set Screw	M8x8	4
14	PM-960V-G14	Spring	1/4"x35	1
15	PM-960V-G15	Pin	Ø6.3x19L	1
16	PM-960V-G16	Bracket	Ø54	1
17	PM-960V-G17	Socket Head Cap Screw	M6x16	2
18	PM-960V-G18	Nut		2
19	PM-960V-G19	Set Screw	M6x16	2
20	PM-960V-G20	Collar	Ø38xØ19.05x12L	1
21	PM-960V-G21	Base	230Lx194Wx89.5H	1
22	PM-960V-G22	Box	115Lx80Wx48H	1
23	PM-960V-G23	Pin	Ø5x25	2
24	PM-960V-G24			1
25	PM-960V-G25			1
26	PM-960V-G26	Cover	114Lx80Wx1.6T	1
27	PM-960V-G27	Key	5x5x60	1
28	PM-960V-G28	Sleeve	Ø38xØ19.05x60L	1
29	PM-960V-G29	Fork	Ø51x20	1
30	PM-960V-G30	Pin	Ø3x20	1
31	PM-960V-G31	Lever	Ø3/8"x220L	1
32	PM-960V-G32	Handle		1
33	PM-960V-G33	Pin	Ø5x40	1
34	PM-960V-G34	Socket Head Cap Screw	M8x70	1
35	PM-960V-G35	Socket Head Cap Screw	M8x50	1
36	PM-960V-G36	Pin	Ø5x50	1
37	PM-960V-G37	Socket Head Cap Screw	M6x12	1
38	PM-960V-G38	Collar	Ø44xØ19.05x30W	1
39	PM-960V-G39	Ball Steel	1/4"	1
40	PM-960V-G40	Spring	1/4"x30	1

# Cabinet And Panel Assembly

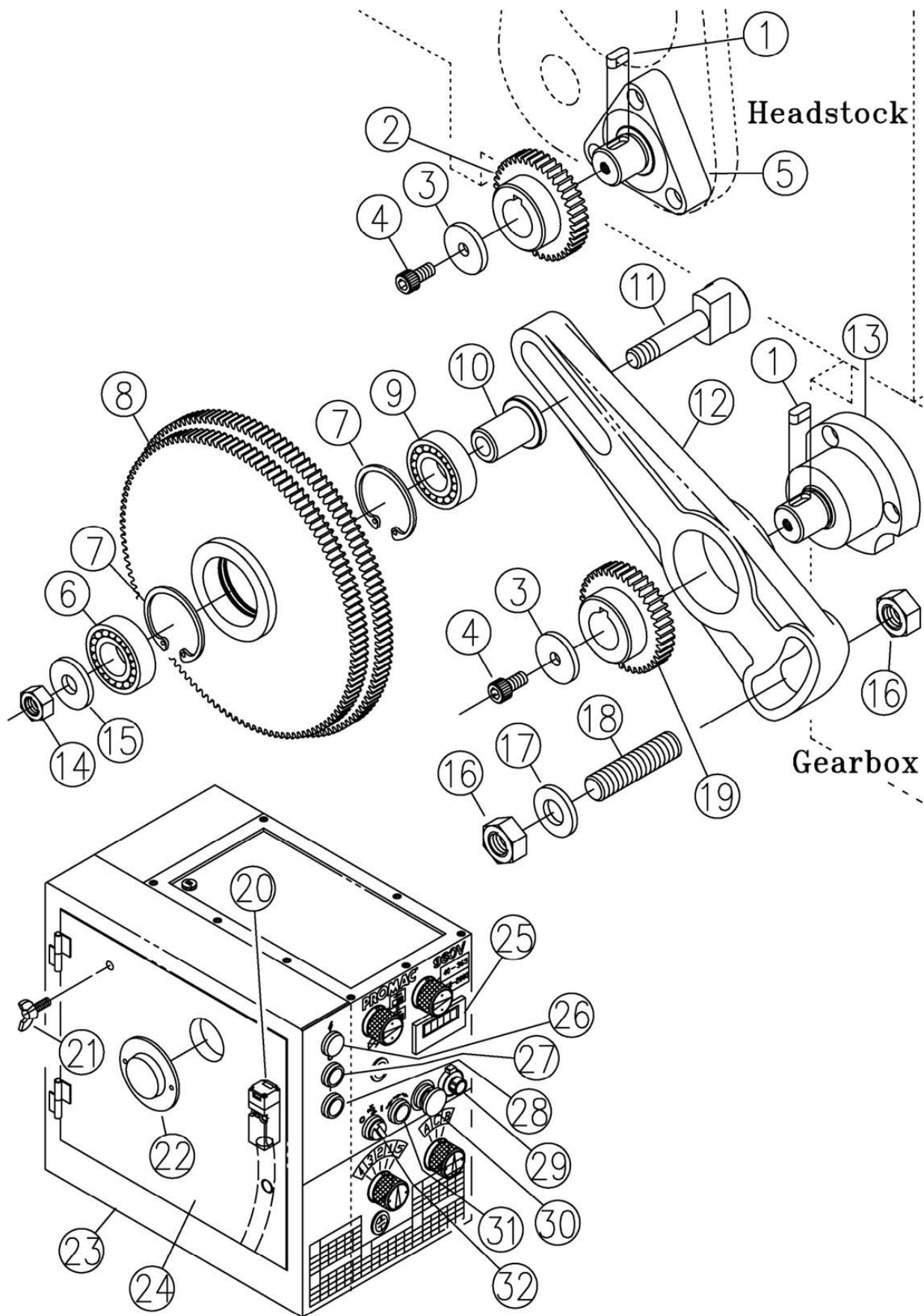




## Cabinet And Panel Assembly Part List

Index No.	Part No.	Description	Size	Qty.
1	PM-960V-H01	Main motor		1
2	PM-960V-H02	Back cover	235x221x97	1
3	PM-961V-H03	Splash Guard 961V	1385L	1
4	PM-960V-H04	Pulley	Ø74xØ24x57L	1
5	PM-960V-H05	Nut		2
6	PM-960V-H06	Motor Platform	275Lx220Wx12.7T	1
7	PM-960V-H07	Screw	1/4"x4	12
8	PM-960V-H08	Cap Screw	1/4"x12	1
9	PM-961V-H09	Chip Pan 961V	1750Lx510Wx42H	1
10	PM-961V-H10	Chip Tray 961V	1050Lx370Wx122H	1
11	PM-960V-H11	Washer		1
12	TS-1504041	Socket Head Cap Screw	M8x20	2
13	PM-960V-H13	Socket Hex Set Screw	1/2"x30	1
14	PM-960V-H14	Shaft	Ø3/4"x170L	1
15	PM-960V-H15	Bracket	109Lx65W	1
16	PM-960V-H16	Cover+4793	300Lx300Wx20H	1
17	PM-960V-H17	Electric Box+4794	300Lx300Wx178H	1
18	PM-960V-H18	Pump		1
19	PM-960V-H19	Cover	390Lx260Wx1.6T	1
20	PM-960V-H20	Floor Stand	300Lx500Wx620H	1
21	PM-960V-H21	Cover	350Lx330Wx1.6T	1
22	PM-960V-H22	Cover	350Lx240Wx1.6T	1
23	TS-1524011	Set Screw	M8x8	1
24	PM-960V-H24	Bolt	158Lx20WxØ19.05	1
25	PM-960V-H25	Spring		1
26	PM-960V-H26	Collar	Ø38xØ19.05x12W	1
27	PM-960V-H27	Shaft	Ø3/4"x470L	1
28	PM-960V-H28	Pin	Ø5x30	2
29	PM-960V-H29	Brake Pad	1050L	1
30	PM-960V-H30	Tank	310Lx220Wx170H	1
31	PM-960V-H31	Shaft	Ø3/4"x195L	1
32	PM-960V-H32	Cap Screw	1/2"x12	6
33	PM-960V-H33	Limit switch for brake		1
34	PM-960V-H34	Collar	Ø31.7xØ19.05x20W	1
35	PM-960V-H35	Floor Stand	370Lx500Wx620H	1
36	PM-961V-H36	Front Cover+4791 961V	1060Lx300Wx20H	1
37	PM-961V-H37	Cabinet+4792 961V	1070lx315Wx300H	1

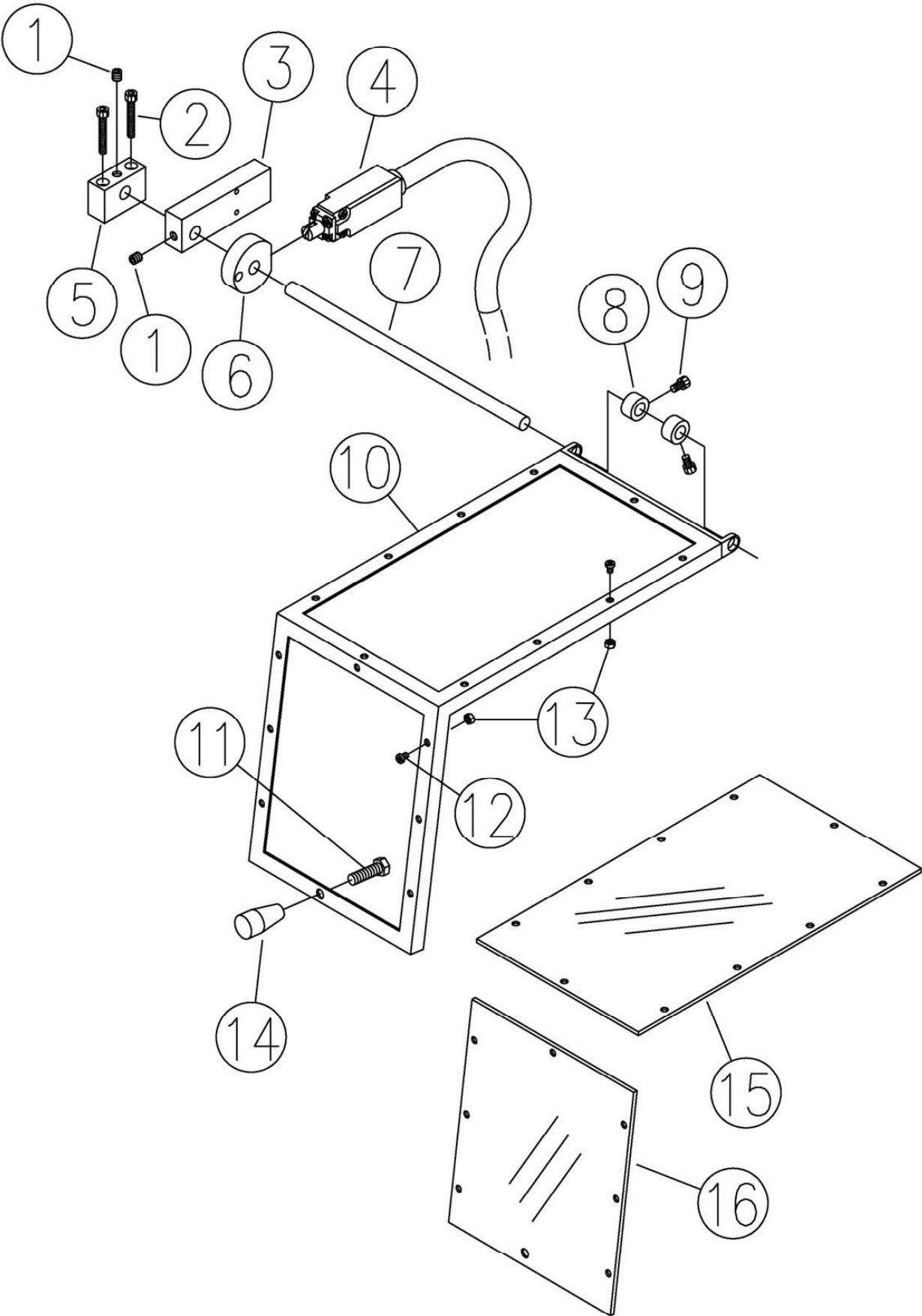
# End Gear Assembly



## End Gear Assembly Part List

Index No.	Part No.	Description	Size	Qty.
1	PM-960V-I01	Key	5x5x12	2
2	PM-961V-I02	Change Gear	Ø62.5xØ19x20W	1
3	PM-960V-I03	Washer	Ø25xØ1/4"x3T	1
4	TS-1503031	Socket Head Cap Screw	M6x12	2
5	PM-960V-I05	Cover	PCDØ58 Ø42xØ32x32L	1
6	PM-960V-I06	Bearing		2
7	PM-960V-I07	Circlip	Ø35	2
8	PM-960V-I08	Gears		1
9	PM-960V-I09	Shaft Collar	Ø25xØ3/8"x29L	1
10	PM-960V-I10	Shaft	Ø25x65L	1
12	PM-960V-I12	Swing Frame	19T	1
13	PM-960V-I13	Cover	Ø66xØ23x33L	1
14	PM-960V-I14	Nut		1
15	PM-960V-I15	Washer	Ø25xØ3/8"x3T	1
16	PM-960V-I16	Nut		1
17	PM-960V-I17	Washer	Ø25xØ1/2"x3T	1
18	PM-960V-I18	Cap Screw	1/2"x20	1
19	PM-960V-I19	Change Gear	Ø77.5xØ19x20W	1
20	PM-960V-I20	Endcover safety limit switch		1
21	PM-960V-I21	Butterfly Screw		3
22	PM-960V-I22	Cover	Ø110xØ62x17	1
23	PM-960V-I23	End cover+4788	500x484x95,500x496x95	1
24	PM-960V-I24	End cover door	438x388x15	1
25	PM-960V-I25	RPM-speed meter		1
26	PM-960V-I26	Pilot light		1
27	PM-960V-I27	Power supply OFF push button switch		1
28	PM-960V-I28	Power supply ON push button switch		1
29	PM-960V-I29	Variable speed selectors		1
30	PM-960V-I30	Emergency switch		1
31	PM-960V-I31	Jogging push button switch		1
32	PM-960V-I32	Coolant selecting switch		1

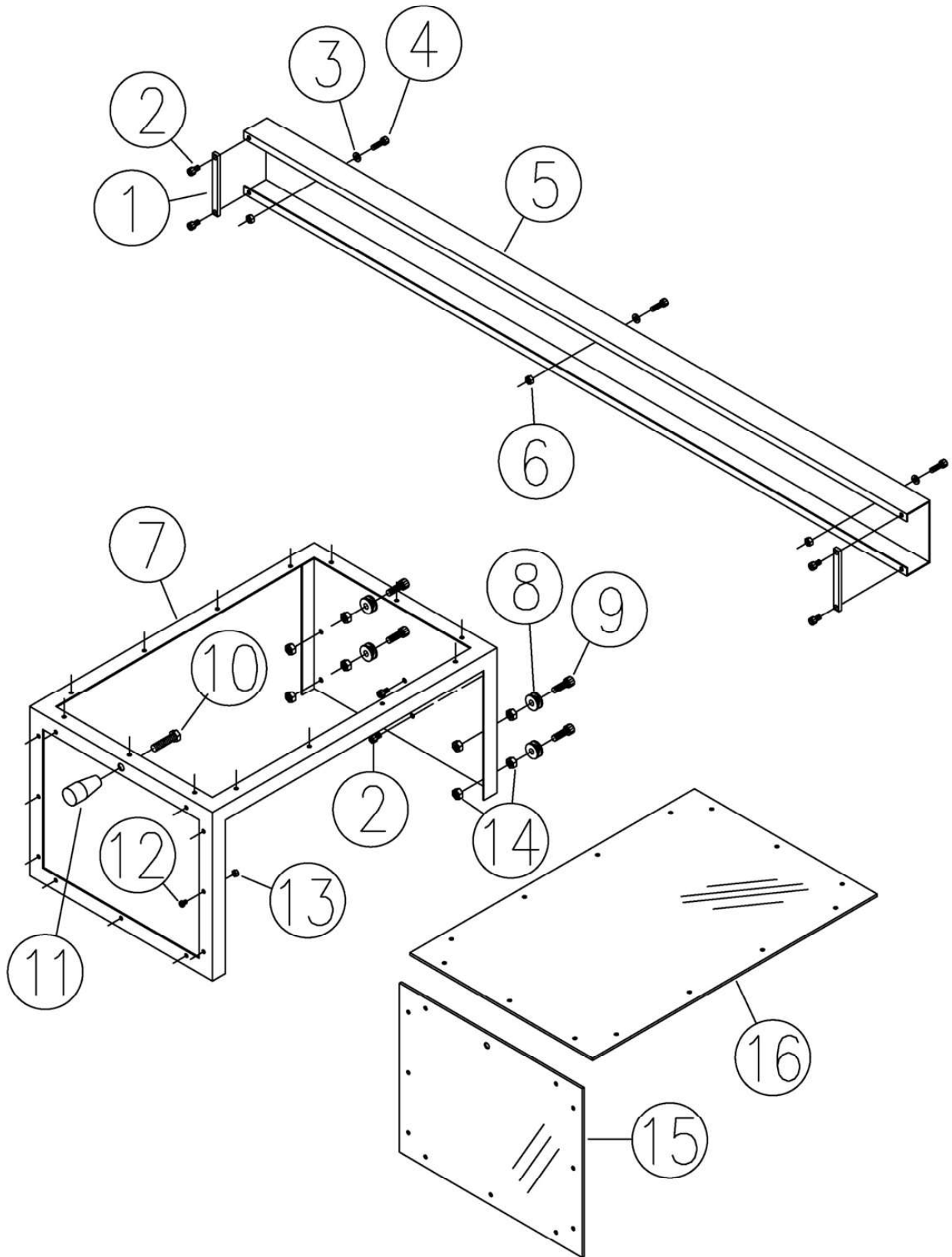
Chuck Safety Guard Assembly



## Chuck Safety Guard Assembly Part list

Index No.	Part No.	Description	Size	Qty.
	PM-960V-L01A	Chuck Guard Assembly		1
1	PM-960V-L01	Set Screw	M8x8	1
2	TS-1503041	Socket Head Cap Screw	M6x16	2
3	PM-960V-L03	Base	35x20x110L	1
4	PM-960V-L04	Limit switch		1
5	PM-960V-L05	Base	35x20x51L	1
6	PM-960V-L06	Cam	Ø50x15.5L	1
7	PM-960V-L07	Shaft	Ø1/2"x290L	1
8	PM-960V-L08	Collar	Ø21xØ12.7x12L	2
9	TS-1503021	Socket Head Cap Screw	M6x10	2
10	PM-960V-L10	Chuck guard	350Lx200Wx240H	1
11	PM-960V-L11	Cap Screw	3/8"x14	1
12	PM-960V-L12	Screw	3/16"x5	17
13	PM-960V-L13	Nut		17
14	PM-960V-L14	Handle		1
15	PM-960V-L15	window top		1
16	PM-960V-L16	window front		1

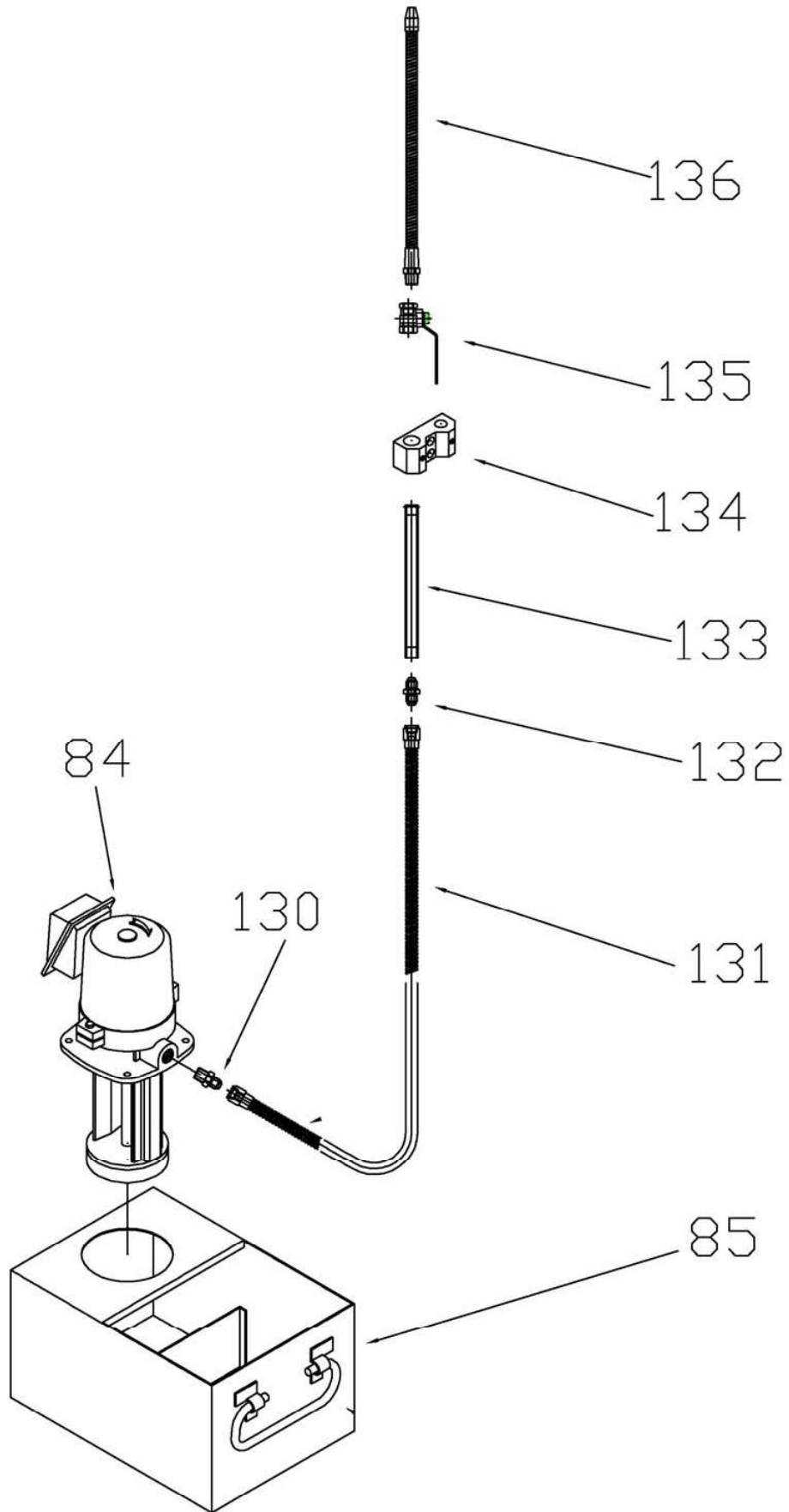
# Toolpost guard Assembly



## Toolpost guard Assembly Part list

Index No.	Part No.	Description	Size	Qty.
	PM-960V-M01A	Toolpost Guard Assembly		1
1	PM-960V-M01	Block		2
2	TS-1503021	Socket Head Cap Screw	M6x10	6
3	PM-960V-M03	Washer		3
7	TS-1503051	Socket Head Cap Screw	M6x20	3
5	PM-960V-M05	Track	1180Lx90Wx45H	1
6	PM-960V-M06	Nut		3
7	PM-960V-M07	Toolpost guard	545Lx350Wx280H	1
8	PM-960V-M08	Roller	Ø22.5xØ8x10T	4
9	TS-1503061	Socket Head Cap Screw	M6x25	4
10	PM-960V-M10	Cap Screw	3/8"x14	1
11	PM-960V-M11	Handle		1
12	PM-960V-M12	Screw	3/16"x12	25
13	PM-960V-M13	Nut		25
14	PM-960V-M14	Nut		8
15	PM-960V-M15	window front		1
16	PM-960V-M16	window top		1

# Coolant Pump Assembly

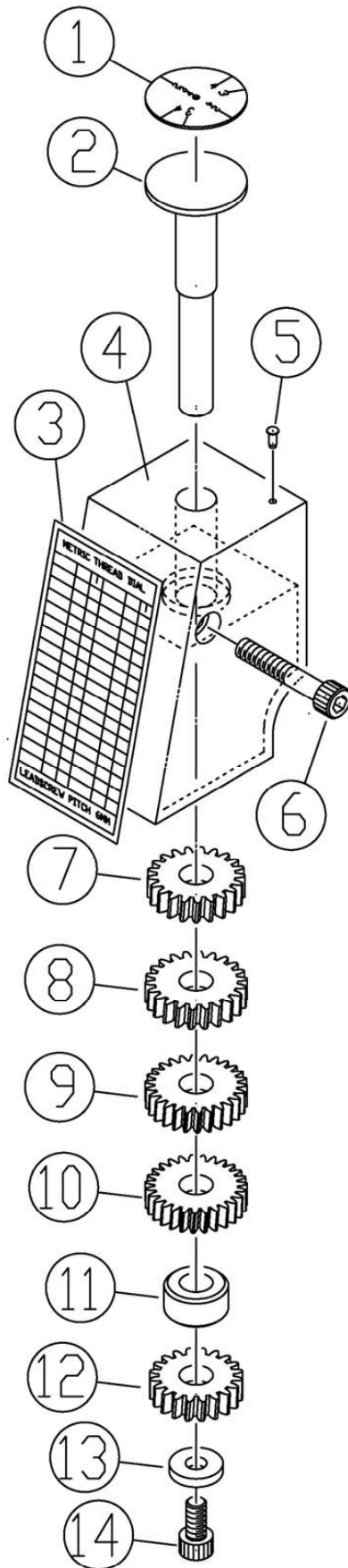




## Coolant Pump Assembly Part List

Index No.	Part No.	Description	Size	Qty.
84	E1340VS-G84	Pump		1
130	E1340VS-G130	Nipple		1
131	E1340VS-G131	Felexible Hose		1
132	E1340VS-G132	Nipple		1
133	E1340VS-G133	Tube		1
134	E1340VS-G134	Bracket		1
135	E1340VS-G135	Value Gate		1
136	E1340VS-G136	Spraying Pipe		1

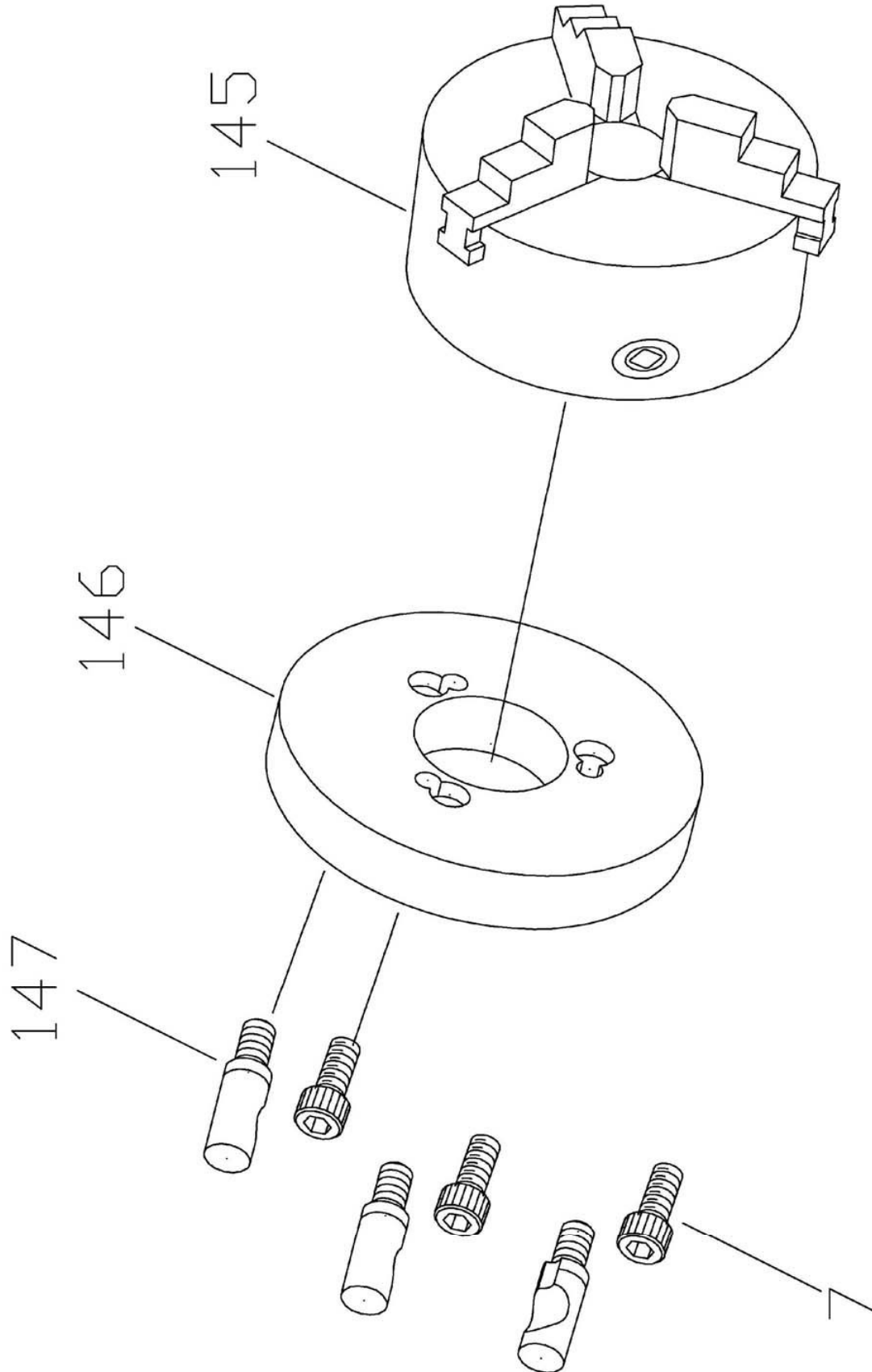
# Dial Indicator Assembly



## Dial Indicator Assembly Part List

Index No.	Part No.	Description	Size	Qty.
1	PM-960V-J01	Track	Ø30	1
2	PM-960V-J02	Shaft	Ø30x82L	1
3	PM-960V-J03	Plate	45x85	1
4	PM-960V-J04	Guard	47x63x85	1
5	PM-960V-J05	Nail		1
6	TS-1503111	Socket Head Cap Screw	M6x50	1
7	PM-960V-J07	Gear 1.25M 21T	Ø28.8xØ10x7T	1
8	PM-960V-J08	Gear 1.25M 22T	Ø30.6xØ10x7T	1
9	PM-960V-J09	Gear 1.25M 26T	Ø35.07xØ10x7T	1
10	PM-960V-J10	Gear 1.25M 27T	Ø36.32xØ10x7T	1
11	PM-960V-J11	Collar	Ø19	1
12	PM-960V-J12	Gear 1.25M 20T	Ø27.55xØ10x7T	1
13	PM-960V-J13	Washer	Ø5/8"xØ1/4"x3T	1
14	TS-1503031	Socket Head Cap Screw	M6x12	1

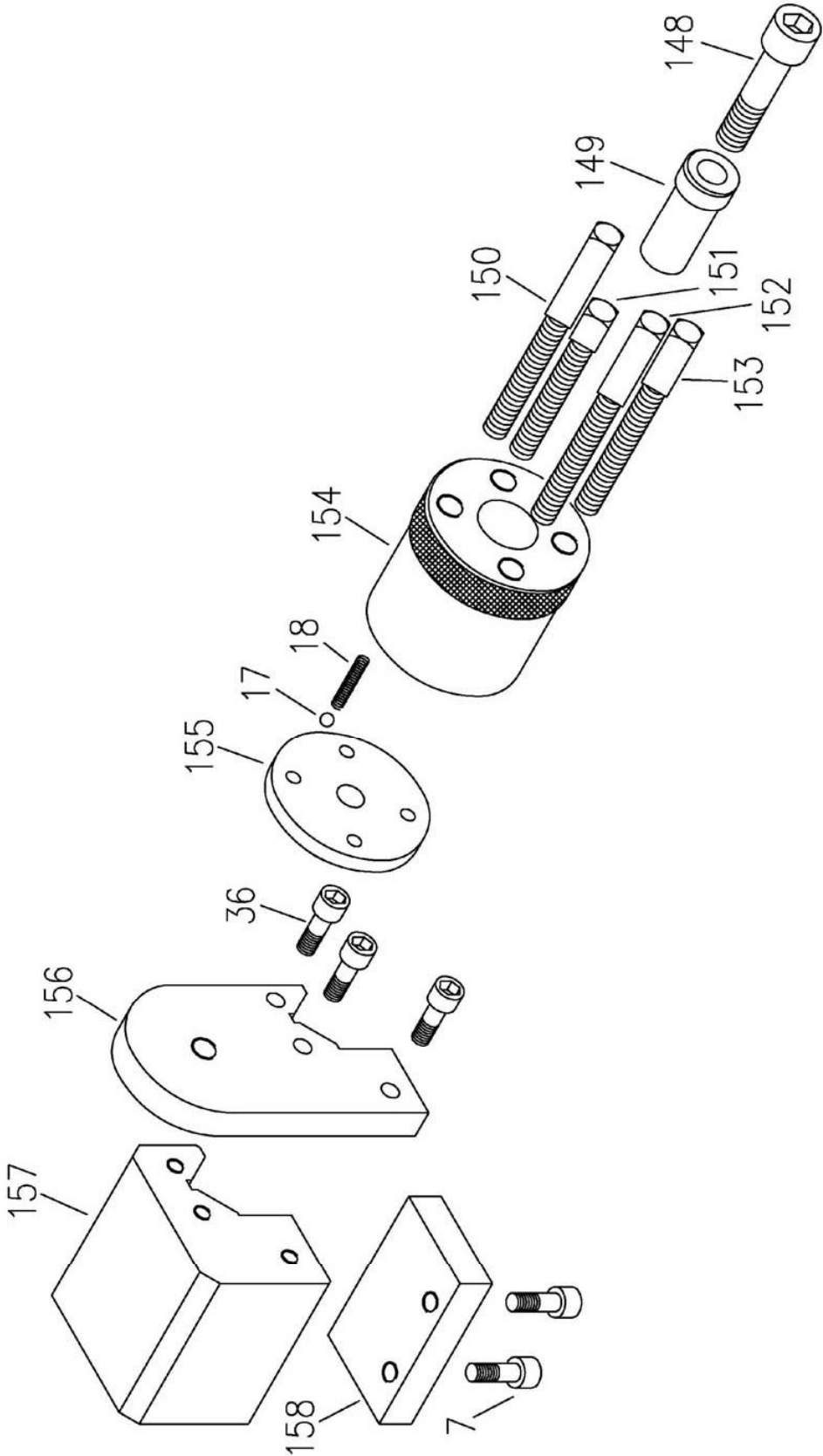
# Chuck Assembly



## Chuck Assembly Part List

Index No.	Part No.	Description	Size	Qty.
7	TS-1503051	Socket Head Cap Screw	M6*20mm	3
145	E1340VS-SK6	Chuck	6"	1
146	E1340VS-G146	Backplate	6"	1
147	E1340VS-G147	Stud	D1-4	3

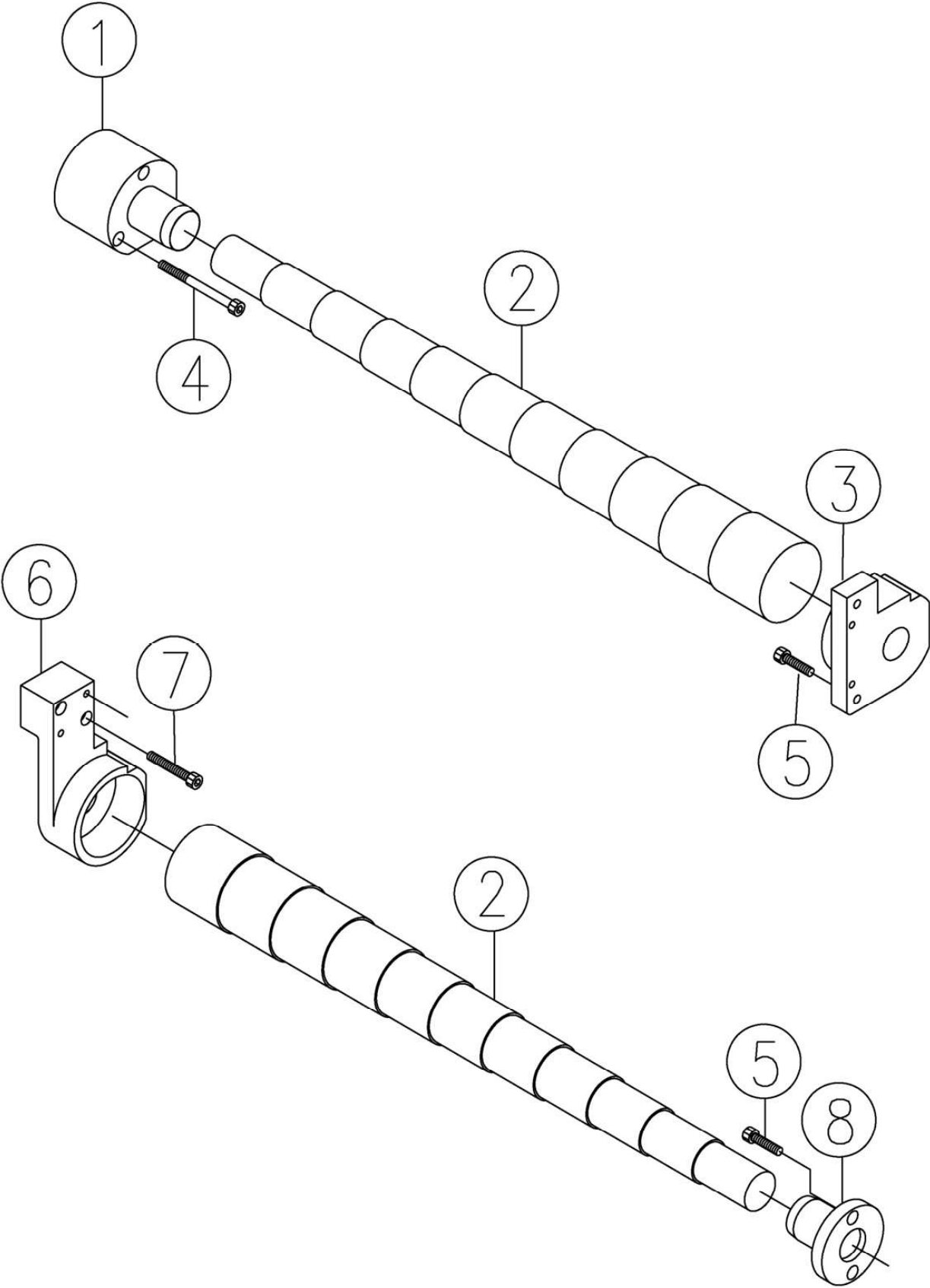
4 Position Stop Assembly



## 4 Position Stop Part List

Index No.	Part No.	Description	Size	Qty.
7	TS-1503051	Socket Head Cap Screw	M6*20mm	2
17	E1340VS-G17	Ball Steel	1/4 in. dia.	1
18	E1340VS-G18	Spring	1/4 in. *35mm	1
36	TS-1503041	Socket Head Cap Screw	M6*16mm	3
148	E1440VS-I148	Socket Head Cap Screw	3/8*70mm	1
149	E1440VS-I149	Sleeve		1
150	E1440VS-I150	Screw		1
151	E1440VS-I151	Screw		1
152	E1440VS-I152	Screw		1
153	E1440VS-I153	Screw		1
154	E1440VS-I154	Collar		1
155	E1440VS-I155	Cover		1
156	E1440VS-I156	Plate		1
157	E1440VS-I157	Base		1
158	E1440VS-I158	Strip		1
	E1440VS-I4PSA	4 Position Stop Assembly		1

Leadscrew Cover Assembly

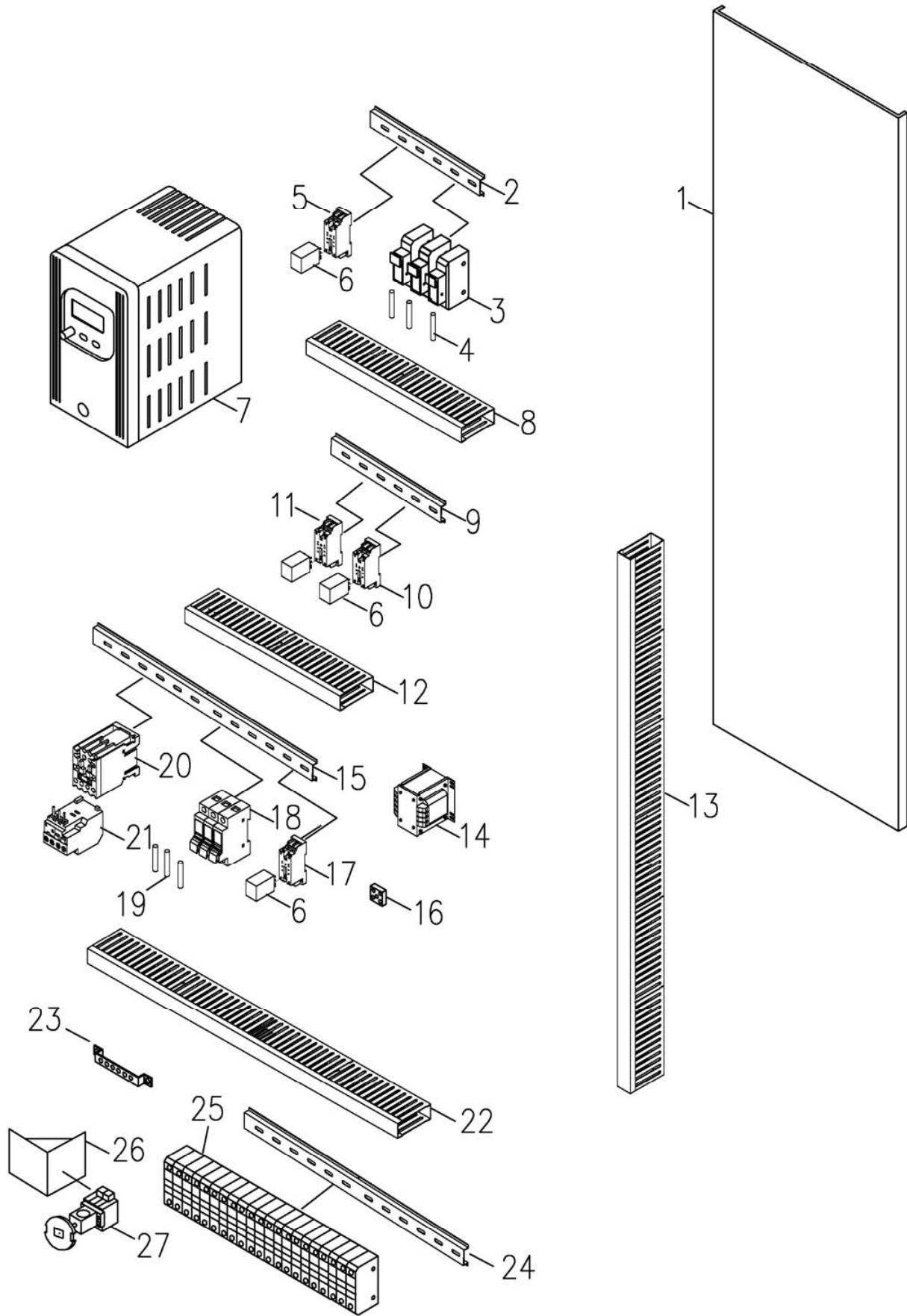




#### 4 Position Stop Part List

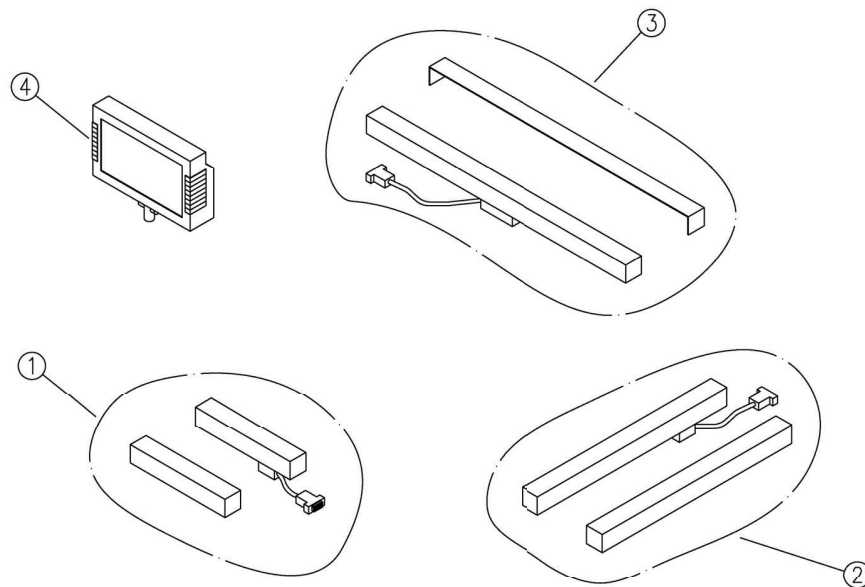
Index No.	Part No.	Description	Size	Qty.
1	PM-960V-K01	Cover Base	Ø70x84L	1
2	PM-960V-K02	Leadscrew Cover		3
3	PM-960V-K03	Cover Base	100Lx90.5Wx35H	1
4	TS-1503141	Socket Head Cap Screw	M6x70	2
5	TS-1503051	Socket Head Cap Screw	M6x20	1
6	PM-960V-K06	Cover Base	140.5Lx70Wx52H	1
7	TS-1503091	Socket Head Cap Screw	M6x40	8
8	PM-960V-K08	Collar	Ø60xØ28.8x50L	1

# Control Plate Assembly



## Control Plate Assembly Part List

Index No.	Part No.	Description	Size	Qty.
1	E1340VS-H01	Plate		1
2	E1340VS-H02	Track		1
3	E1340VS-H03	Fuse Box		4
4	E1340VS-H04	Fuse	5A	4
5	E1340VS-H05	Relay Socket	for Magnetic brake	1
6	E1340VS-H06	Relay	MY4N-J Ac24v	4
7	E1340VS-H07	Inverter	VFD-B Ac240v 5HP	1
8	E1340VS-H08	Trunking		1
9	E1340VS-H09	Track		1
10	E1340VS-H10	Relay Socket		1
11	E1340VS-H11	Relay Socket		1
12	E1340VS-H12	Trunking		1
13	E1340VS-H13	Trunking		1
14	E1340VS-H14	Control Circuit Transformer	120VC Ac24v(5A)	1
15	E1340VS-H15	Track		1
16	E1340VS-H16	Bridge Rectifier		1
17	E1340VS-H17	Relay Socket		1
18	E1340VS-H18	Fuse Boxes		1
19	E1340VS-H19	Fuse	30A	3
20	E1340VS-H20	Magnetic Contactor	CU-11 Ac24v (3A1b)	1
21	E1340VS-H21	Thermal Overload Relay	RHU-10K1 0.45~0.63A	1
22	E1340VS-H22	Trunking		1
23	E1340VS-H23	Earthing Terminal Blocks		1
24	E1340VS-H24	Track		1
25	E1340VS-H25	Terminal Blocks		1
26	E1340VS-H26	Base		1
27	E1340VS-H27	Main Power Switch	690VAC 25A	1



N°	Description	Spec. / Size
E1440VS-DRO1	SINO Z Axis	Toolpost Travel Scale 100mm
E1440VS-DRO2	SINO Y Axis	Cross slide Travel Scale 200mm
E1440VS-DRO3	SINO X Axis	Bed Travel 1000mm
E1440VS-DRO4	3 Axis Display	Display 3 Compound
E1440VS-DRO5	2 Axis Display	Display 2 Compound
E1440VS-DRO6	3 Axis Display + CSS	Display 3 Compound + CSS
E1440VS-DRO7	2 Axis Display + CSS	Display 2 Compound + CSS