

# **J E T**

**GH-2640ZH-  
GH-26120ZH**

**METALWORKING LATHE**

**400/50/3**

**PARTS LIST  
ERSATZTEILLISTE  
LISTE DE PIECES**

WMH Tool Group AG

Bahnstrasse 24, CH – 8603 Schwerzenbach

[www.wmhtoolgroup.ch](http://www.wmhtoolgroup.ch); [info@wmhtoolgroup.ch](mailto:info@wmhtoolgroup.ch)

Tel +41 (0) 1 806 47 48

Fax +41 (0) 1 806 47 58



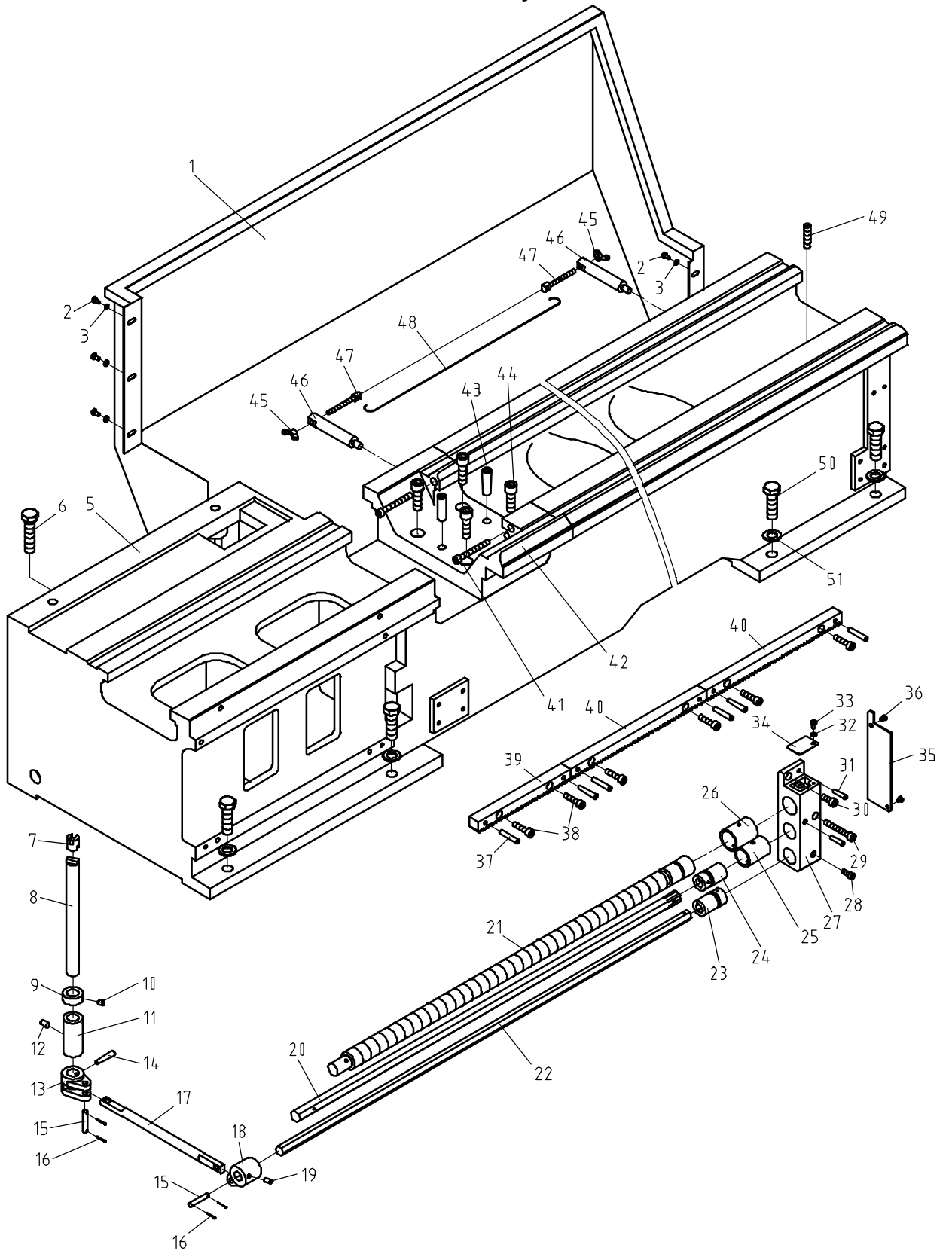
<b>Table of Contents</b>	<b>Page</b>
Table of Contents .....	2
Bed Assembly I .....	3-5
Bed Assembly II .....	6-7
Headstock Assembly I .....	8-10
Headstock Assembly II .....	11-13
Headstock Assembly III .....	14-15
Headstock Assembly IV .....	16-18
Headstock Assembly V .....	19-21
Gear Assembly .....	22-23
Gear Box Assembly I .....	24-25
Gear Box Assembly II .....	26-28
Gear Box Assembly III .....	29-31
Taper Assembly .....	32-33
Micro Carriage Stop Assembly .....	34-35
Brake Assembly .....	36-37
Carriage Assembly I .....	38-40
Carriage Assembly II .....	41-43
Apron Assembly I .....	44-47
Apron Assembly II .....	48-50
Apron Assembly III .....	51-53
Tailstock Assembly I .....	54-55
Tailstock Assembly II .....	56-57
Electrical Components .....	58
Safety guard cover .....	59
Parts List for Tool Post Protection Device .....	60
Parts List for Lead Screw Protection Device .....	61-62
Parts List for Lead Screw Protection Device .....	63-64

## Bed Assembly I

Index No.	Part No.	Description	Size	Qty.
1	C6266C-12701A	Splash Guard (For GH-2640ZH only)	1000	1
	C6266C-12701B	Splash Guard (For GH-2660ZH only)	1500	1
	C6266C-12701C	Splash Guard (For GH-2680ZH only)	2000	1
	C6266C-12701CN	Splash Guard (For GH-2686ZH only)	2200	1
	C6266C-12701D	Splash Guard (For GH-26120ZH only)	3000	1
2	GB70	Hex Socket Cap Screw	M6x8	8
3	GB97	Flat Washer	6	8
5	C6266C-01101A	Bed (For GH-2640ZH only)	1000	1
	C6266C-01101B	Bed (For GH-2660ZH only)	1500	1
	C6266C-01101C	Bed (For GH-2680ZH only)	2000	1
	C6266C-01101CN	Bed (For GH-2686ZH only)	2200	1
	C6266C-01101D	Bed (For GH-26120ZH only)	3000	1
6	GB5782	Hex Cap Bolt	M20x60	4
7	C6140W-01705	Crossed Head		1
8	C6140W-01706	Screw		1
9	C6140W-01707	Sleeve		1
10	GB71	Slotted Set Screw	M10x12	1
11	C6140W-01709	Sleeve		1
12	GB71	Slotted Set Screw	M10x20	1
13	C6140W-01104	Fork		1
14	GB118	Taper Pin	8x50	1
15	GB71	Slotted Set Screw	M10x14	2
16	GB91	Split Pin	2x16	4
17	C6140W-01711	Pulling Rod		1
18	C6266C-01106	Sleeve		1
19	GB71	Slotted Set Screw	M8x16	1
20	C6140W-01703	Hex Feed Rod (For GH-2640ZH only)		1
	C6266C-01703B	Hex Feed Rod (For GH-2660ZH only)		1
	C6266C-01703C	Hex Feed Rod (For GH-2680ZH only)		1
	C6266C-01703CN	Hex Feed Rod (For GH-2686ZH only)		1
	C6266C-01703D	Hex Feed Rod (For GH-26120ZH only)		1
21	C6140W-01702	Lead Screw (For GH-2640ZH only)		1
	C6266C-01702B	Lead Screw (For GH-2660ZH only)		1
	C6266C-01702C	Lead Screw (For GH-2680ZH only)		1
	C6266C-01702CN	Lead Screw (For GH-2686ZH only)		1
	C6266C-01702D	Lead Screw (For GH-26120ZH only)		1
22	C6140W-01705	Hex Control Rod (For GH-2640ZH only)		1
	C6266C-01705B	Hex Control Rod (For GH-2660ZH only)		1
	C6266C-01705C	Hex Control Rod (For GH-2680ZH only)		1
	C6266C-01705CN	Hex Control Rod (For GH-2686ZH only)		1
	C6266C-01705D	Hex Control Rod (For GH-26120ZH only)		1
23	C6140W-01724	Sleeve		1
24	C6140W-01725	Sleeve		1
25	C6140W-01302	Copper Sleeve		1
26	C6140W-01301	Copper Sleeve		1
27	C6140W-01109	Bracket		1
28	GB70	Hex Socket Cap Screw	M8x20	1
28	GB70	Hex Socket Cap Screw	M10x70	1
30	GB70	Hex Socket Cap Screw	M10x25	1
31	GB118	Taper Pin	8x35	2

32.....	GB97 .....	Flat Washer .....	6.....	8
33.....	GB70 .....	Hex Socket Cap Screw .....	M6x8 .....	8
34.....	C6140W-01726.....	Cover .....		1
35.....	C6140W-01732.....	Cover .....		1
36.....	GB818 .....	Cross Head Screw.....	M6x8 .....	2
37.....	GB118.....	Taper Pin .....	8x45 .....	6
38.....	GB70 .....	Hex Socket Cap Screw .....	M10x35 .....	6
39.....	C6266C-01704.....	Rack (For GH-2640ZH only) .....		2
	C6266C-01704.....	Rack (For GH-2660ZH only) .....		1
	C6266C-01704.....	Rack (For GH-2680ZH only) .....		1
	C6266C-01704.....	Rack (For GH-2686ZH only) .....		2
	C6266C-01704.....	Rack (For GH-26120ZH only) .....		1
40.....	C6140W-01719.....	Rack (For GH-2640ZH only) .....		2
	C6140W-01719.....	Rack (For GH-2660ZH only) .....		4
	C6140W-01719.....	Rack (For GH-2680ZH only) .....		5
	C6140W-01719.....	Rack (For GH-2686ZH only) .....		5
	C6140W-01719.....	Rack (For GH-26120ZH only) .....		8
41.....	GB70 .....	Hex Socket Cap Screw .....	M10x85 .....	2
42.....	C6266C-01103.....	Gap .....		1
43.....	GB118.....	Taper Pin .....	16x60 .....	2
44.....	GB70 .....	Hex Socket Cap Screw .....	M16x50 .....	4
45.....	GB62 .....	Alary Nut A .....	M8.....	2
46.....	C6266C-01709.....	Screw .....		2
47.....	C6266C-01708.....	Screw .....		2
48.....	C6266C-HA048.....	Steel Wire.....	• 1.5 .....	1
49.....	C6140W-01733.....	Pin.....		1
50.....	GB5782.....	Hex Bolt.....	M20x80 .....	4
51.....	GB97.2 .....	Flat Washer .....	20.....	8

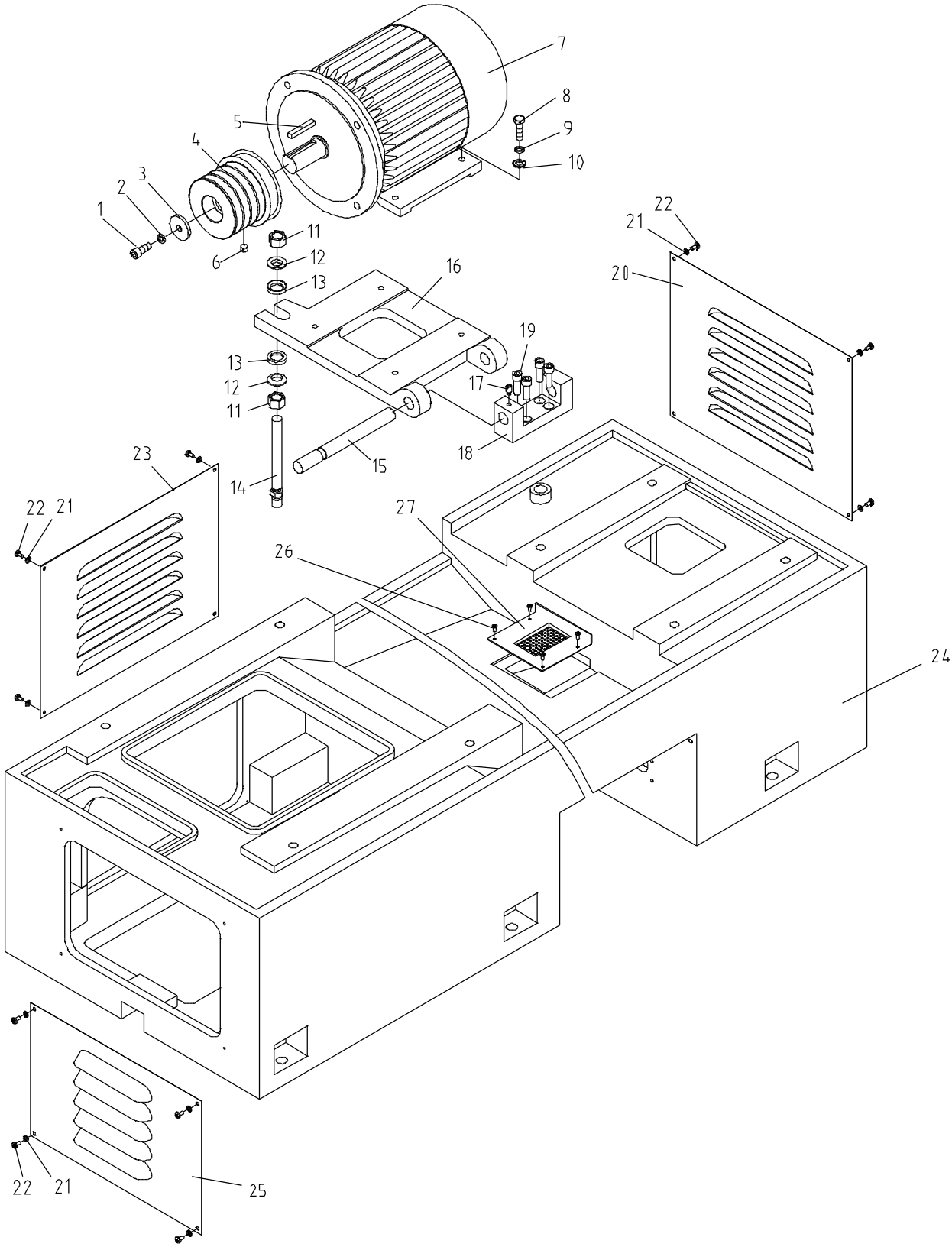
# Bed Assembly I



## Bed Assembly II

Index No.	Part No.	Description	Size	Qty.
1.....	GB70 .....	Hex Socket Cap Screw .....	M12x30 .....	
2.....	GB93 .....	Spring Washer .....	12.....	
3.....	C6266C-01706.....	Washer.....		1
4.....	C6266C-01105.....	Pulley .....		1
5.....	GB1096.....	Flat Key .....		1
6.....	GB71 .....	Slotted Set Screw .....	M12x16 .....	1
7.....	Y132M-4TH/B3 .....	Motor.....	7.5kW .....	1
8.....	GB5782.....	Hex Bolt.....	M10x40 .....	4
9.....	GB93 .....	Spring Washer .....	10.....	4
10.....	GB97.2 .....	Flat Washer .....	10.....	4
11.....	GB6170.....	Hex Nut .....	M20.....	2
12.....	GB850 .....	Taper Waher .....		2
13.....	GB849 .....	Ball Washer .....		2
14.....	C6140W-01714.....	Double Bolt.....		1
15.....	C6266C-01711.....	Shaft.....		1
16.....	C6266C-01104.....	Motor Mounting Plate.....		1
17.....	GB75 .....	Slotted Set Screws .....	M10x14 .....	1
18.....	C6266C-01107.....	Support.....		1
19.....	GB70 .....	Hex Socket Cap Screw .....	M12x35 .....	4
20.....	C6266C-01701.....	Cover .....		1
21.....	GB97 .....	Flat Washer .....	6.....	12
22.....	GB818 .....	Cross Head Screw.....	M6x5 .....	12
23.....	C6266C-01710.....	Cover .....		1
24.....	C6266C-01102A.....	Bed Stand (For GH-2640ZH only) .....		1
.....	C6266C-01102B.....	Bed Stand (For GH-2660ZH only) .....		1
.....	C6266C-01102C .....	Bed Stand (For GH-2680ZH only) .....		1
.....	C6266C-01102CN.....	Bed Stand (For GH-2686ZH only) .....		1
.....	C6266C-01108.....	Front Bed Stand (For GH-26120ZH only not show) .....		1
.....	C6266C-01109.....	Middle Bed Stand (For GH-26120ZH only not show ) .....		1
.....	C6266C-01110 .....	Behind Bed Stand (For GH-26120ZH only not show ).....		1
25.....	C6266C-01707.....	Cover .....		1
26.....	GB818 .....	Cross Head Screw.....	M5x6 .....	4
27.....	1440R-01705 .....	Water Leaking Chip Guard.....		1

# Bed Assembly II



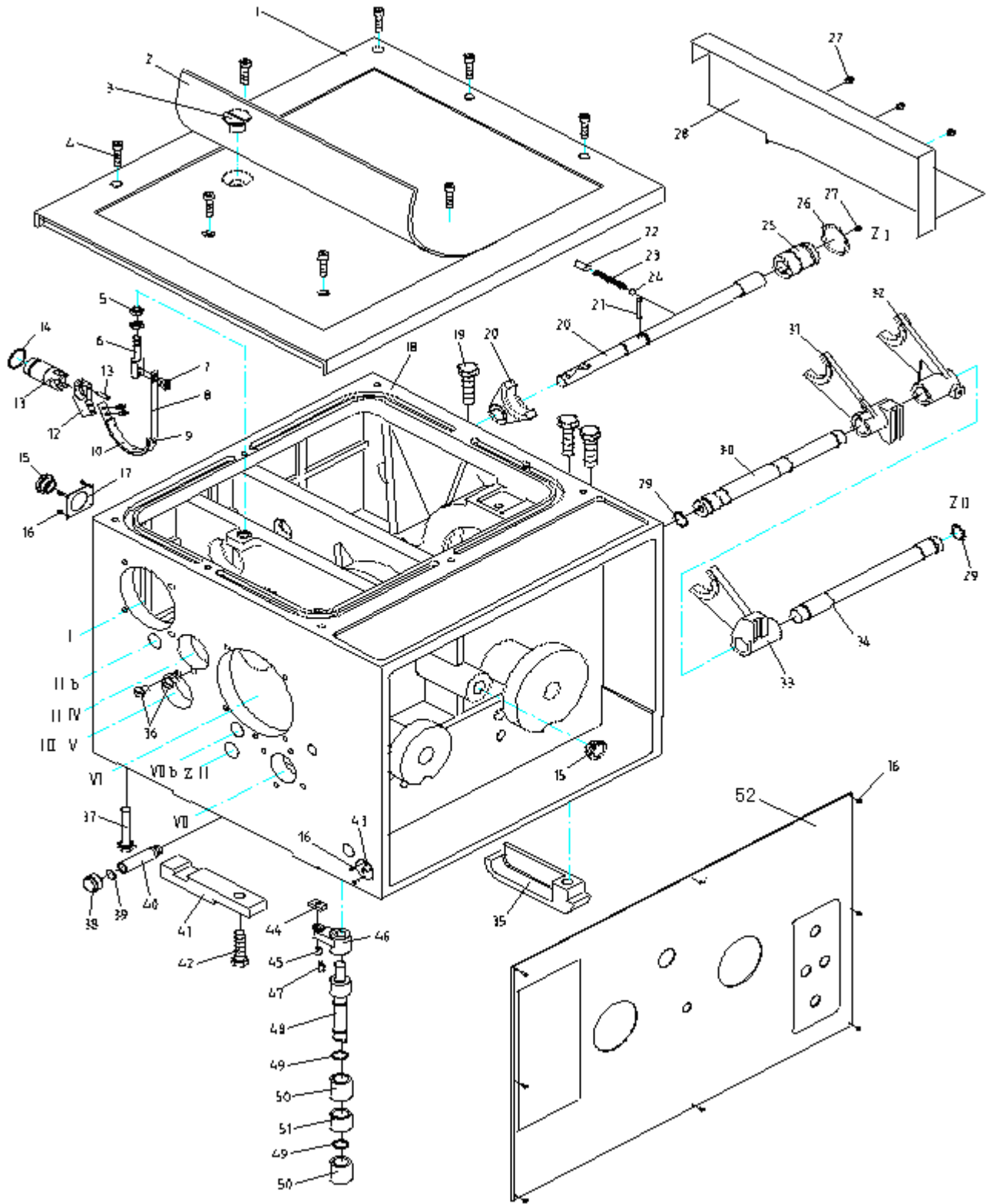
## Headstock Assembly I

Index	Part			
No.	No.	Description	Size	Qty.
1.....	C6266C-02502.....	Headstock Cover.....		1
2.....	C6266C-02501.....	Rubber Gasket.....		1
3.....	C6140W-02835.....	Sunk Screw.....		1
4.....	GB70.....	Hex Socket Cap Screw.....	M10x35.....	8
5.....	GB6172.....	Hex Flat Screw.....	M12.....	2
6.....	C6266C-02768.....	Braking Belt Support.....		1
7.....	GB65.....	Slotted Socket Cap Screw.....	M6x10.....	4
8.....	C6266C-02767.....	Braking Belt.....		1
9.....	GB867.....	Half Circle Rivet.....	3x10.....	3
10.....	C6266C-02503.....	Braking Friction Disk.....		1
11.....	GB119.....	Pin.....	6n6x14.....	1
12.....	C6266C-02770.....	Braking Belt Support.....		1
13.....	C6266C-02769.....	Shaft.....		1
14.....	GB3452.1.....	Ring Seal.....	30x2.65.....	1
15.....	R51-2.....	Oil Glass.....		2
16.....	GB818.....	Cross Recessed Pen Head Screw.....	M3x4.....	7
17.....	C6266C-02306.....	Sign Plate.....		1
18.....	C6266C-02101.....	Headstock.....		1
19.....	GB5782.....	Hexagon Head Bolt.....	M20x75.....	3
20.....	C6266C-02125.....	Fork.....		1
21.....	GB118.....	Pin.....	8x40.....	1
22.....	GB71.....	Slotted Set Screw.....	M12x30.....	1
23.....	Q81-1.....	Spring.....	1.6x8x70.....	1
24.....	GB308.....	Boll.....	10.....	1
25.....	C6140W-02105.....	Bushing.....		1
26.....	GB3452.1.....	Ring Seal.....	38.7x3.55.....	1
27.....	GB818.....	Cross Head Screw.....	M6x8.....	1
28.....	C6266C-02757.....	Cover.....		1
29.....	GB3452.1.....	Ring Seal.....	26.5x2.65.....	2
30.....	C6266C-02761.....	Control Shaft.....		1
31.....	C6266C-02128.....	Fork.....		1
32.....	C6266C-02124.....	Fork.....		1
33.....	C6266C-02120.....	Fork.....		1
34.....	C6266C-02762.....	Control Shaft.....		1
35.....	C6140W-02141.....	Front Cover.....		1
36.....	C6140W-02711.....	Screw.....		3
37.....	GB5782.....	Hexagon Head Bolt.....	M16x80.....	2
38.....	C6140W-02504.....	Washer.....		1
39.....	C6140W-02831.....	Nut.....		1
40.....	C6140W-02832.....	Drain Pipe.....		1
41.....	C6140W-02833.....	Clamping Plate.....		1
42.....	GB5782.....	Hexagon Head Bolt.....	M16x60.....	1
43.....	C6266C-02303.....	Sign Plate.....		1



44.....	C6140W-02143.....	Slide Block.....	.....	1
45.....	GB119.....	Pin.....	n6x20 .....	1
46.....	C6140W-02129.....	Rocker.....	.....	1
47.....	GB1099.....	Half Circle Key.....	6x22 .....	1
48.....	C6266C-02763.....	Shaft.....	.....	1
49.....	G51-2A .....	Ring Seal.....	25x2.4 .....	2
50.....	C6140W-02127.....	Collar.....	.....	2
51.....	C6266C-02119.....	Collar.....	.....	1
52.....	C6266C-02305.....	Label .....	.....	1
53.....	GB818 .....	Cross Head Screw.....	M3x6 .....	8
54.....	C6266C-02721.....	Positioning Shaft.....	.....	1

# Headstock Assembly I

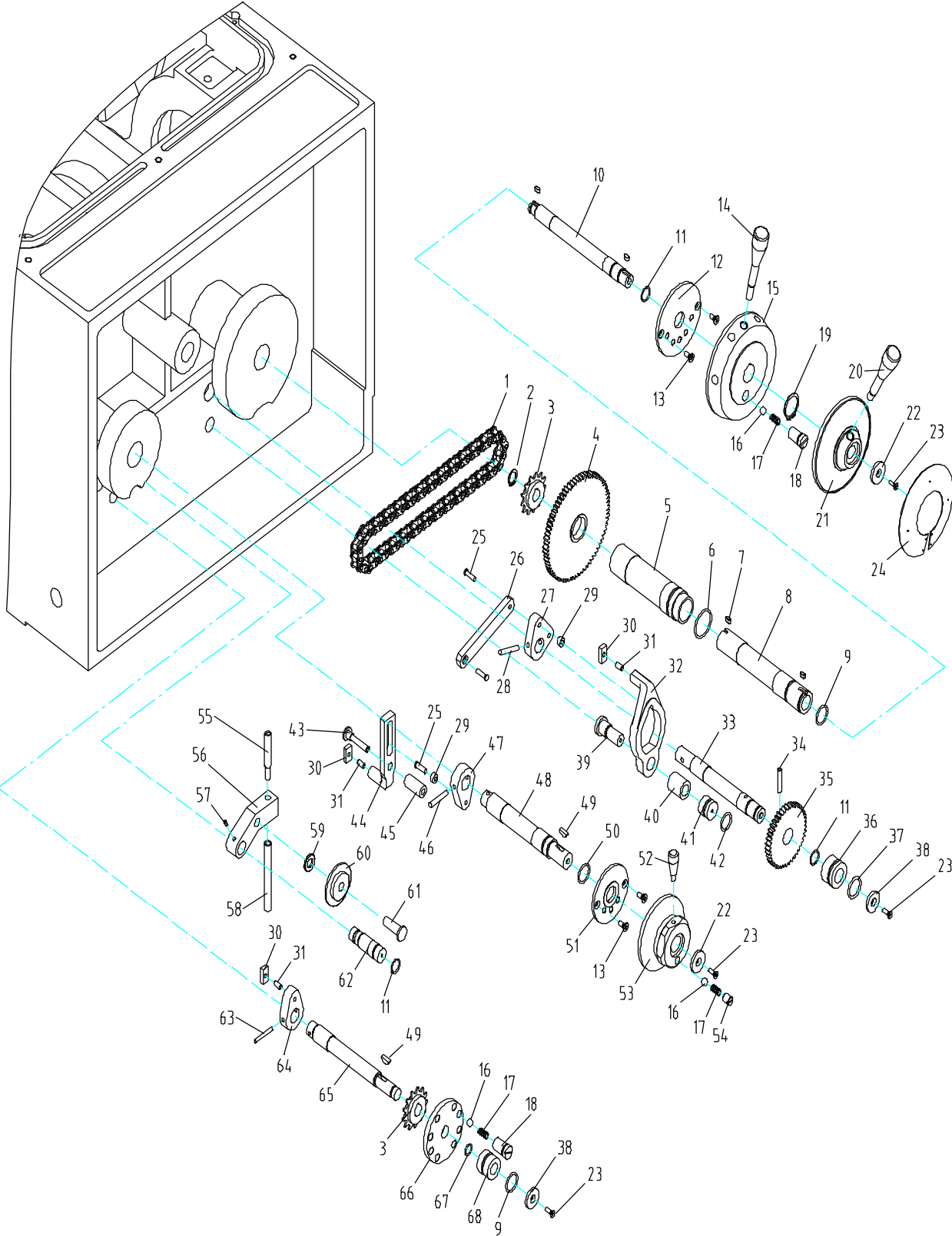


## Headstock Assembly II

Index No.	Part No.	Description	Size	Qty.
1	C6266C-HA01	Chain	12.7x58	1
2	GB894.1	C-clip For Shaft	16	1
3	C6140W-02808	Chain wheel		2
4	C6266C-02751	Gear		1
5	C6266C-02780	Sleeve		1
6	GB3452.1	Ring Seal	34.5x2.65	1
7	GB1096	K • •	5x10	3
8	C6266C-02753	Collar		1
9	GB3452.1	Ring Seal	25x2.65	2
10	C6266C-02752	Shaft		1
11	GB3452.1	Ring Seal	17x1.8	3
12	C6266C-02756	Positioning Disc		1
13	GB819	Cross Recessed head Screws	M6x14	4
14	C6140W-02799	Lever		1
15	C6266C-02114	Lever Support		1
16	GB308	Boll	10	3
17	Q81-1	Spring	1.6x8x18	3
18	C6266C-02754	Positioning Screw		2
19	GB894.1	C-clip For Shaft	30	1
20	C6140W-02801	Lever		1
21	C6140W-02123	Lever Support		1
22	C6140W-02821	Washer		2
23	GB819	Cross Recessed Head Screws	M5x16	6
24	C6266C-02304	Speed Label		1
25	C6140W-02813	Pin		2
26	C6266C-02775	Connector		1
27	C6266C-02121	Rocker		1
28	GB117	Taper Pin	6x45	1
29	C6140W-02812	Roller		2
30	C6140W-02119	Slide Block		3
31	GB119	Pin	6n6x14	3
32	C6266C-02122	Fork		1
33	C6266C-02765	Axis		1
34	GB117	Taper Pin	6x35	1
35	C6266C-02749	Gear		1
36	C6266C-02112	Collar		1
37	GB3452.1	Ring Seal	30x2.65	1
38	C6266C-02750	Washer		2
39	C6266C-02764	Pin		1
40	C6266C-02123	Collar		1
41	C6266C-02111	Plug		1
42	GB3452.1	Ring Seal	20x2.65	1
43	C6266C-02760	Shaft		1

44.....	C6266C-02118.....	Fork.....	.....	1
45.....	C6266C-02116.....	Collar.....	.....	1
46.....	GB117.....	Taper Pin .....	6x40 .....	1
47.....	C6266C-02117 .....	Rocker.....	.....	1
48.....	C6266C-02759.....	Shaft.....	.....	1
49.....	GB1099.....	Key.....	5 x19 .....	2
50.....	GB3452.1.....	Ring Seal.....	21.2x2.65 .....	1
51.....	C6266C-02758.....	Positioning Disc.....	.....	1
52.....	C6140W-02822.....	Lever .....	.....	1
53.....	C6266C-02115.....	Lever Support.....	.....	1
54.....	GB73 .....	Set Screws .....	M12x14 .....	1
55.....	C6266C-02774.....	Bolt.....	.....	1
56.....	C6266C-02129.....	Rocker chard .....	.....	1
57.....	GB75 .....	Recessed Head Set Screw .....	M5 x8 .....	1
58.....	C6266C-02773.....	Screw.....	.....	1
59.....	GB97.1 .....	Plain washers.....	12.....	1
60.....	C6140W-02826.....	Tightening Wheel.....	.....	1
61.....	C6140W-02825.....	Pin.....	.....	1
62.....	C6266C-02771.....	Shaft.....	.....	1
63.....	GB117.....	Taper Pin .....	5x40 .....	1
64.....	C6266C-02127.....	Rocker.....	.....	1
65.....	C6266C-02766.....	Shaft.....	.....	1
66.....	C6266C-02772.....	Positioning Disc.....	.....	1
67.....	GB3452.1.....	Ring Seal.....	12.5x1.8 .....	1
68.....	C6266C-02126.....	Collar.....	.....	1

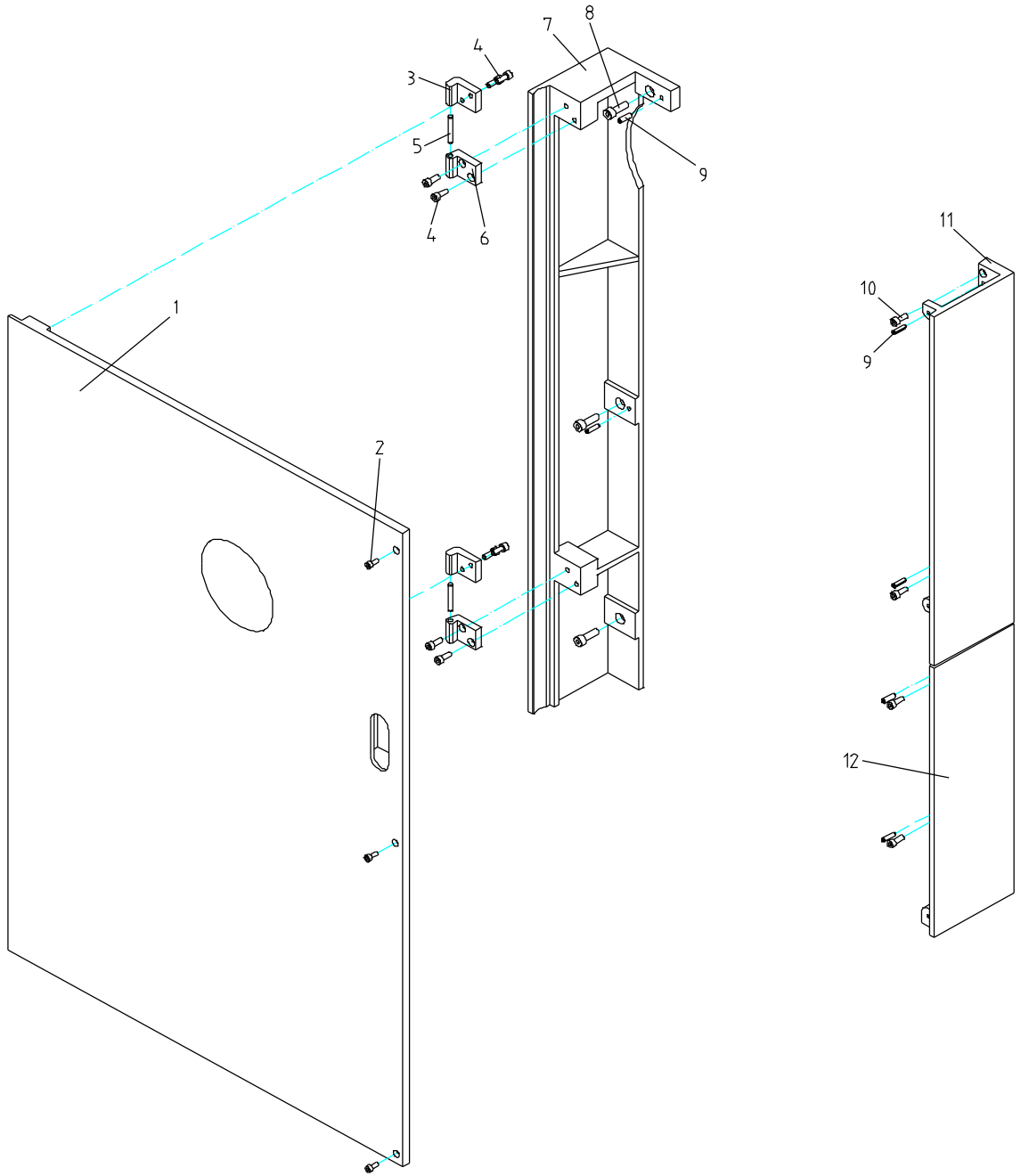
# Headstock Assembly II



## Headstock Assembly III

Index	Part			
No.	No.	Description	Size	Qty.
1.....	C6266C-08501.....	Back Cover.....		1
2.....	GB70 .....	Hex Socket Cap Screw.....	M5x12 .....	3
3.....	C6266C-08706.....	Upper Hinge .....		2
4.....	GB879 .....	Straight Pin.....	5x20 .....	2
5.....	GB119.....	Pin.....	6h8x40 .....	2
6.....	C6266C-08707.....	Lower Hinge .....		2
7.....	C6266C-08504.....	Rear Side Plate .....		1
8.....	GB70 .....	Hex Socket Cap Screw.....	M6x16 .....	8
9.....	GB879 .....	Straight Pin.....	5x20 .....	6
10.....	GB70 .....	Hex Socket Cap Screw.....	M6x14 .....	4
11 .....	C6266C-08502.....	Upper Front Side Plate .....		1
12.....	C6266C-08503.....	Lower Front Side Plate .....		1

# Headstock Assembly III



## Headstock Assembly IV

Index	Part			
No.	No.	Description	Size	Qty.
1	C6140W-02752-1/2	Round Nut		1
2	GB77	Hexagon Socket Set Screws	M6x6	1
3	C6140W-02752-2/2	Clamping Plate		1
4	B2464	Belt		4
5	C6266C-02107	Pulley		1
6	GB70	Hex Cap Head Screws	M10x25	4
7	C6266C-02105	Bearing Cover		1
8	GB3452.1	Ring Seal	125x3.55	1
9	6208	Ball Bearing		3
10	C6266C-02106	Sleeve		1
11	GB894.1	C-clip For Shaft	40	1
12	C6266C-02723	Sleeve		3
13	C6140W-02745	Outer Friction Disk		1
14	C6266C-02302	Collar		1
15	C6140W-02748	Washer		2
16	C6140W-02747	Was her		2
17	GB119	Pin	5x10	2
18	C6140W-02746	Inner Friction Disk		1
19	C6140W-02741	Adjust Nut		2
20	C6140W-02741	Adjusting Nut		2
21	C6266C-02727	Sleeve Nut		1
22	C6140W-02744	Stop Pin		1
23	Q81-1	Spring	0.8x5x16	2
25	C6266C-02724	Clutch Right Housing		1
26	C6266C-02301	Collar		1
27	GB894.1	C-clip For Shaft	40	1
28	GB1096	Key	12x50	1
29	C6266C-02731	I Shaft		1
30	GB119	Pin	12x70	1
31	C6240W-02732	Lever		1
32	GB119	Pin	5x40	1
33	GB1096	Key	12x70	1
34	GB119	Pin	8x25	1
35	C6140W-02733	Clamping Ring		1
36	C6266C-02728	Shaft		1
37	C6266C-02722	Shaft		1
38	GB70	Hex Socket Cap Head Screws	M6x20	3
39	C6140W-02106	Pump Support		1
40	GB1096	Key	4 x 16	1
41	DB-B4	Bracket		1
43	C6266C-02740	Bolt		2
44	C6266C-02736	Cover		2



45.....	GB3452.1	Ring Seal.....	65x3.55 .....	2
46.....	6306.....	Bearing.....		3
47.....	C6266C-02735.....	II Shaft.....		1
48.....	C6266C-02734.....	Gear.....		1
48.....	C6266C-02733.....	Gear.....		1
50.....	C6266C-02732.....	Gear.....		2
51.....	C6266C-02737.....	C-clip.....		1
52.....	C6266C-02718.....	IV Shaft .....		1
53.....	C6266C-02720.....	Gear.....		1
54.....	C6266C-02719.....	Gear.....		1
55.....	C6266C-02103.....	Sleeve.....		1
56.....	6207.....	Bearing.....		2
57.....	GB3452.1.....	Ring Seal.....	25x2.65 .....	1
58.....	C6266C-02729.....	II • Shaft.....		1
59.....	GB893.1.....	C-Clip .....	47 .....	2
60.....	6005.....	Bearing.....		2
61.....	C6266C-02104.....	Sleeve.....		1
62.....	C6266C-02726.....	Gear.....		1
63.....	GB1096.....	Key.....	8x12 .....	1
64.....	C6266C-02725.....	Braking Wheel.....		1
65.....	GB73 .....	Set Screws .....	M5x8 .....	1
66.....	C6266C-02741.....	Gear.....		1
67.....	GB1096.....	Key.....	10x40 .....	1
68.....	C6266C-02738.....	Gear.....		1
69.....	C6266C-02742.....	Gear.....		1
70.....	GB894.1.....	C-clip For Shaft.....	55.....	1
71.....	C6266C-02739.....	III Shaft.....		1
72.....	GB1099.....	Half Circle Key.....	6 • 22 .....	1
73.....	6208.....	Bearing.....		1
74.....	C6266C-02717.....	Gear.....		1
75.....	C6266C-02716.....	Gear.....		1
76.....	32208.....	Bearing.....		1
77.....	GB894.1.....	C-clip For Shaft.....	55.....	1
78.....	C6266C-02715.....	Gear.....		1
79.....	C6140W-02733.....	Clamping Sleeve .....		3
80.....	C6266C-02714.....	Gear.....		1
81.....	C6266C-02713.....	V Shaft .....		1
82.....	32308.....	Bearing.....		1
83.....	C6140W-02103.....	VI Shaft Plug.....		1
84.....	GB3452.1.....	Ring Seal.....	82.5x3.55 .....	1
85.....	C6140W-02717.....	Socket Head Screw .....		1
86.....	GB6173.....	Nut .....	M16x1.5 .....	1

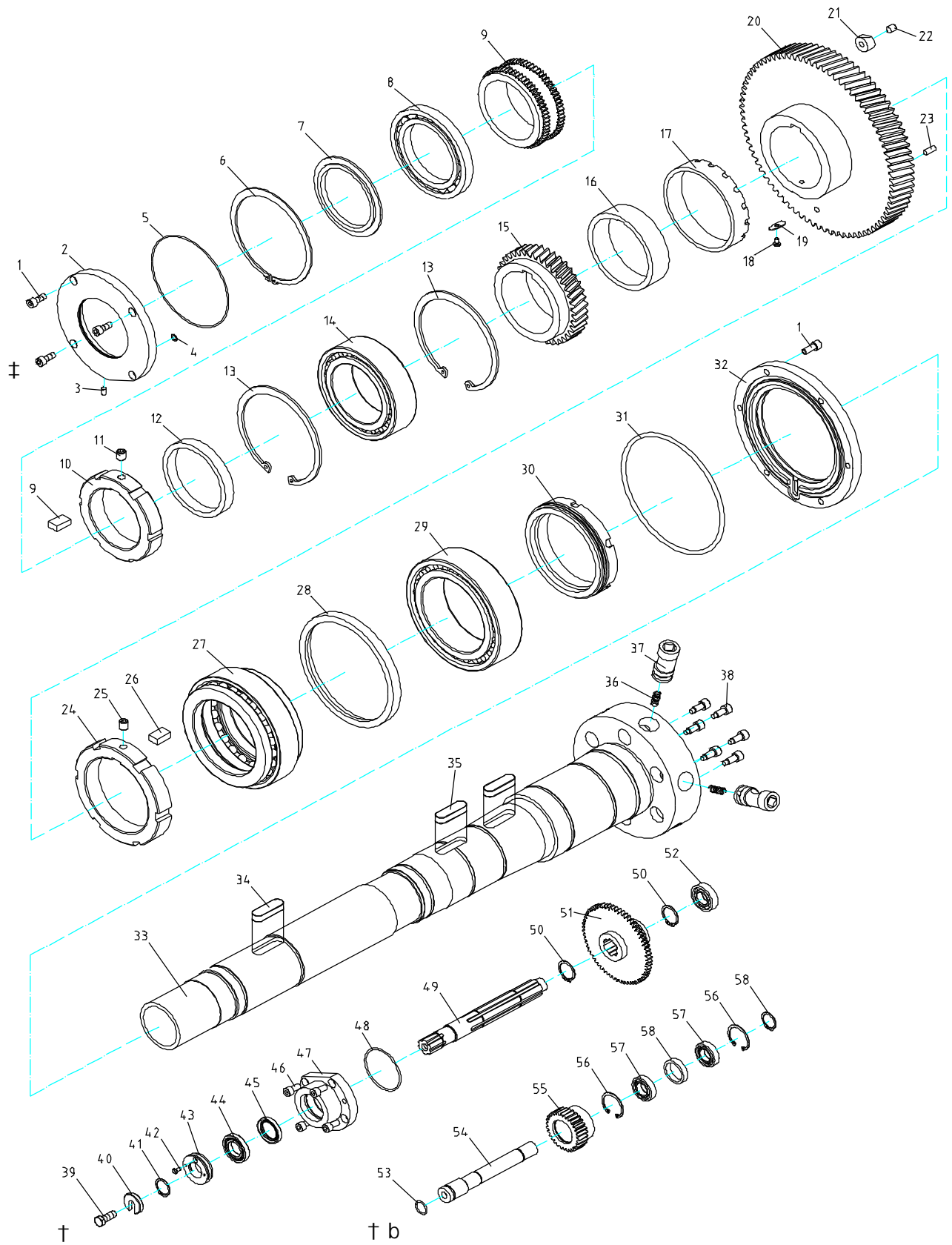
## Headstock Assembly IV



<b>Index No.</b>	<b>Part No.</b>	<b>Description</b>	<b>Size</b>	<b>Qty.</b>
1.....	GB70 .....	Hex Socket Cap Head Screw.....	M10x25 .....	6
2.....	C6266C-02108.....	Back Flange Cover .....	M6x6 .....	1
3.....	GB119.....	Pin.....	6x8 .....	1
4.....	B2464 .....	Belt.....	.....	4
5.....	GB3452.1.....	Ring Seal.....	18x2.65 .....	1
6.....	GB894.1.....	C-clip For Shaft.....	120.....	1
7.....	C6266C-02744.....	Bearing Back C-clip .....	.....	1
8.....	16024.....	Bearing.....	.....	1
9.....	C6266C-02743.....	Double Gear .....	.....	1
10.....	C6266C-02702.....	Round Nut .....	.....	1
11.....	GB77 .....	Hex Socket Set Screws .....	M12x12 .....	3
12.....	C6266C-02703.....	C-clip.....	.....	1
13.....	GB893.1.....	C-clip For Bore .....	200.....	2
14.....	NN3026K.....	Bearing.....	.....	1
15.....	C6266C-02704.....	Gear.....	.....	1
16.....	C6266C-02705.....	Thread Sleeve .....	.....	1
17.....	C6266C-02706.....	Nut .....	.....	1
18.....	GB67 .....	Screw.....	M6x10 .....	1
19.....	C6140W-02715.....	Fixing Plate.....	.....	2
20.....	C6266C-02707.....	Gear.....	.....	1
21.....	C6140W-02704.....	Balance Block.....	.....	6
22.....	GB78 .....	Hex Socket Set Screws .....	M8x12 .....	6
23.....	GB119.....	Pin.....	6x16 .....	1
24.....	C6266C-02708-1.....	Round Nut .....	.....	1
25.....	GB79 .....	Hex Socket Set Screws .....	M12x16 .....	3
26.....	C6266C-02708-2.....	Pin.....	.....	3
27.....	2268930.....	Bearing.....	.....	1
28.....	C6266C-02709.....	Bearing C-clip.....	.....	1
29.....	NN3030K.....	Bearing.....	.....	1
30.....	C6266C-02710.....	Round Nut .....	.....	1
31.....	GB3452.1.....	Ring Seal.....	250x5.3 .....	1
32.....	C6266C-02102.....	Front Flange Cover.....	.....	1
33.....	C6266C-02701.....	Spindle .....	.....	1
34.....	GB1096.....	Key.....	10x40 .....	1
35.....	GB1096.....	Key.....	10x50 .....	2
36.....	Q81-1.....	Spring.....	1x8x16.....	6
37.....	C6266C-02711.....	Cam .....	.....	1
38.....	C6266C-02712.....	Positioning Screw.....	.....	1
39.....	GB5782.....	Hex Head Bolts.....	M12x30 .....	1
40.....	GB85 .....	Set Screw.....	12.....	1
41.....	GB894.1.....	C-clip For Shaft.....	30.....	1
42.....	GB68 .....	Slotted Head Screws .....	M5x12 .....	1
43.....	C6140W-02776.....	Adjust Screw .....	.....	1
44.....	6006.....	Bearing.....	.....	1

45.....	GB13871.....	Seal.....	B-35x51x8.....	1
46.....	GB70.....	Hex Socket Cap Screw.....	M10x20.....	4
47.....	C6266C-02110.....	Bearing Cover.....		1
48.....	GB13871.....	Seal.....	B-35 x51 x8.....	1
49.....	C6266C-02747.....	VII Shaft.....		1
50.....	GB894.1.....	C-Clip.....	35.....	2
51.....	C6266C-02746.....	Gear.....		1
52.....	6205.....	Bearing.....		1
53.....	GB3452.1.....	Ring Seal.....	10x1.8.....	1
54.....	C6266C-02748.....	VII <sub>1</sub> Shaft.....		1
55.....	C6266C-02745.....	Gear.....		1
56.....	GB893.1.....	C-clip For Bore.....	47.....	2
57.....	6005.....	Bearing.....		2
58.....	GB894.1.....	C-clip For Shaft.....	25.....	1
59.....	C6266C-02109.....	Sleeve.....		1

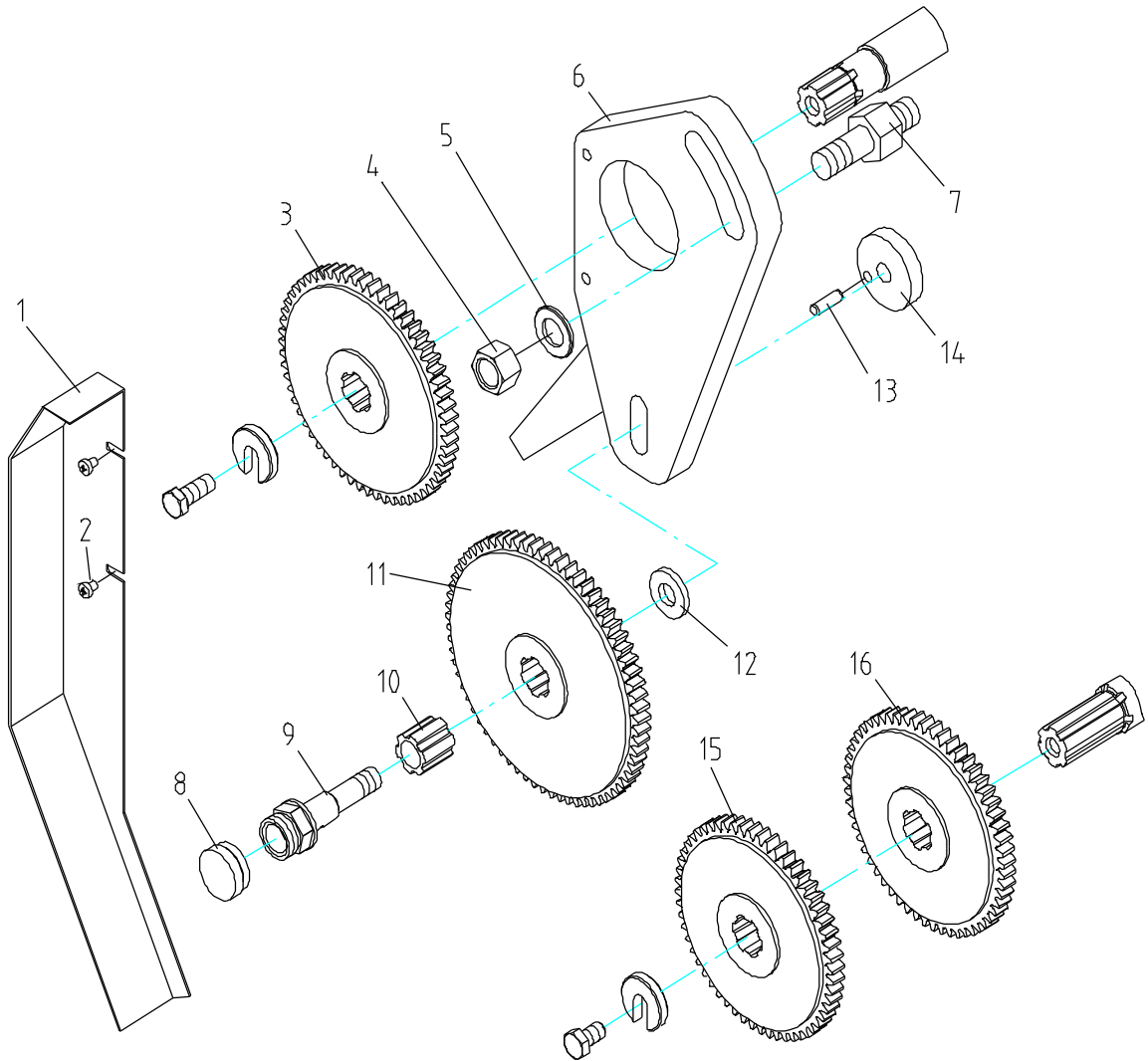
# Headstock Assembly V



## Gear Assembly

Index No.	Part No.	Description	Size	Qty.
1.....	C6266C-08708.....	Splash Guard.....		1
2.....	GB818 .....	Screw.....	M6x8 .....	2
3.....	C6266C-08702.....	Gear (For Metric Style).....	2.75 <sup>^</sup> 60T.....	1
4.....	GB6172.....	Nut .....	M20.....	1
5.....	GB97.2 .....	Washer.....	20.....	1
6.....	C6266C-08101.....	Gear Frame .....		1
7.....	C6266C-02776.....	Bolt.....		1
8.....	C6140W-08703.....	Nut Cover .....		1
9.....	C6140W-08702.....	Gear Shaft.....		1
10.....	C6140W-08301.....	Spline Sleeve.....		1
11 .....	C6266C-08102.....	Gear (For Metric Style).....	2.75 <sup>^</sup> 69T.....	1
12.....	C6266C-08701.....	Washer.....		1
13.....	GB119.....	Pin.....	8n6x20 .....	1
14.....	C6140W-08704.....	Position Nut .....		1
15.....	C6266C-08703.....	Gear (For Metric Style).....	2.75 <sup>^</sup> 56T.....	1
16.....	C6266C-08704.....	Gear (For Metric Style).....	2.75 <sup>^</sup> 57T.....	1

# Gear Assembly

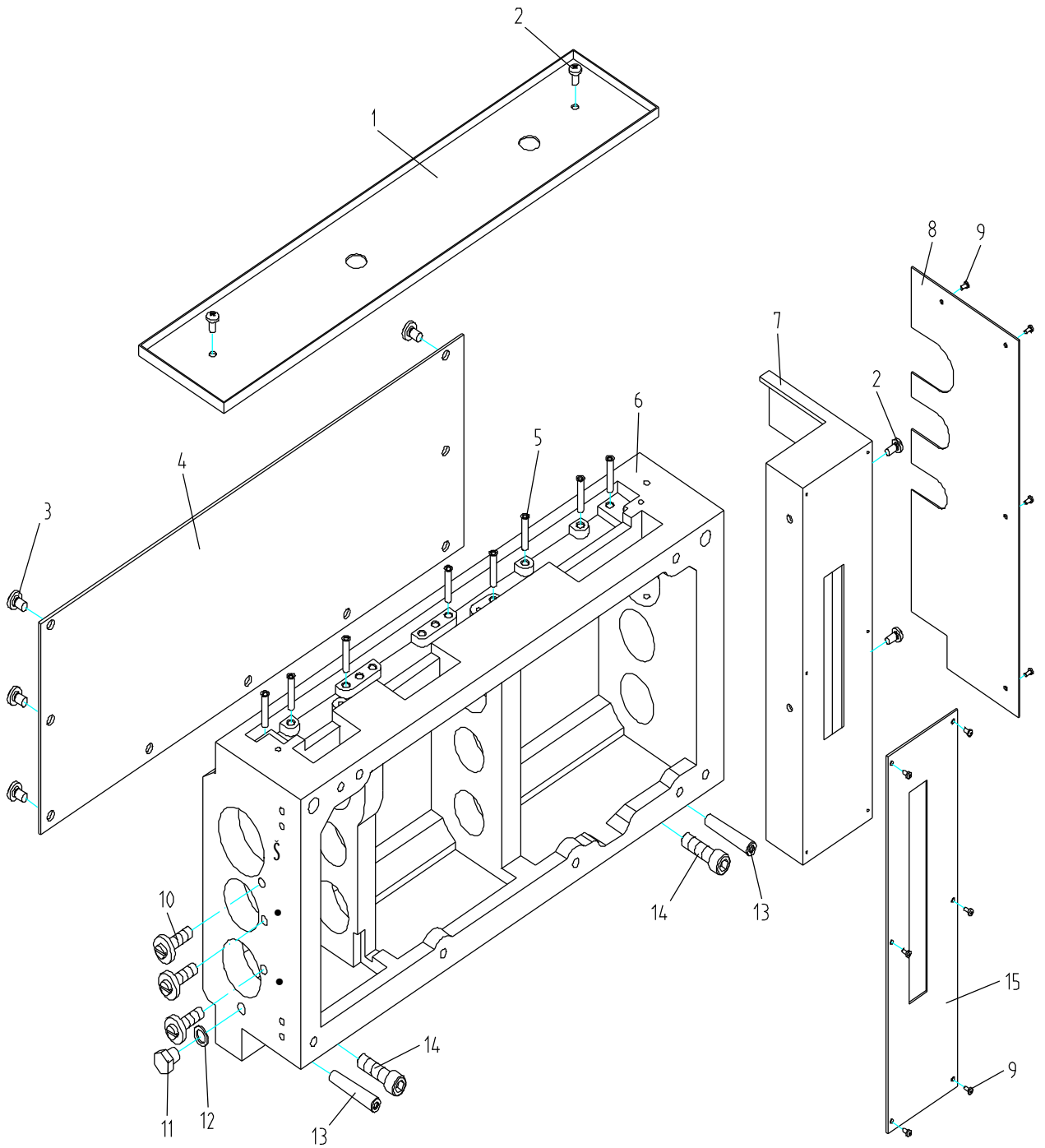




## Gear Box Assembly I

Index No.	Part No.	Description	Size	Qty.
1	C6140W-05504	Upper Cover		1
2	GB70	Hex Socket Cap Screw	M6x40	2
3	GB818	Cross Recessed Pan Head Screws	M8x12	9
4	C6140W-05729	Back Cover		1
5	C6140W-05302	Copper Pipe		12
6	C6140W-05101	Feed Box Casting		1
7	C6140W-05766	Casting		1
8	C6140W-05765	Side Splash Guard		1
9	GB818	Cross Recessed Pan Head Screws	M3x6	8
10	C6140W-05728	Bolt With Washer		3
11	G38-2A	Bolt	M12x1.5	1
12	G52-1	Washer	12	1
13	GB118	Taper Pin	10x60	2
14	GB70	Hex Socket Cap Screw	M12x40	2
15	C6140W-05303	Panel		1

## **Gear Box Assembly I**

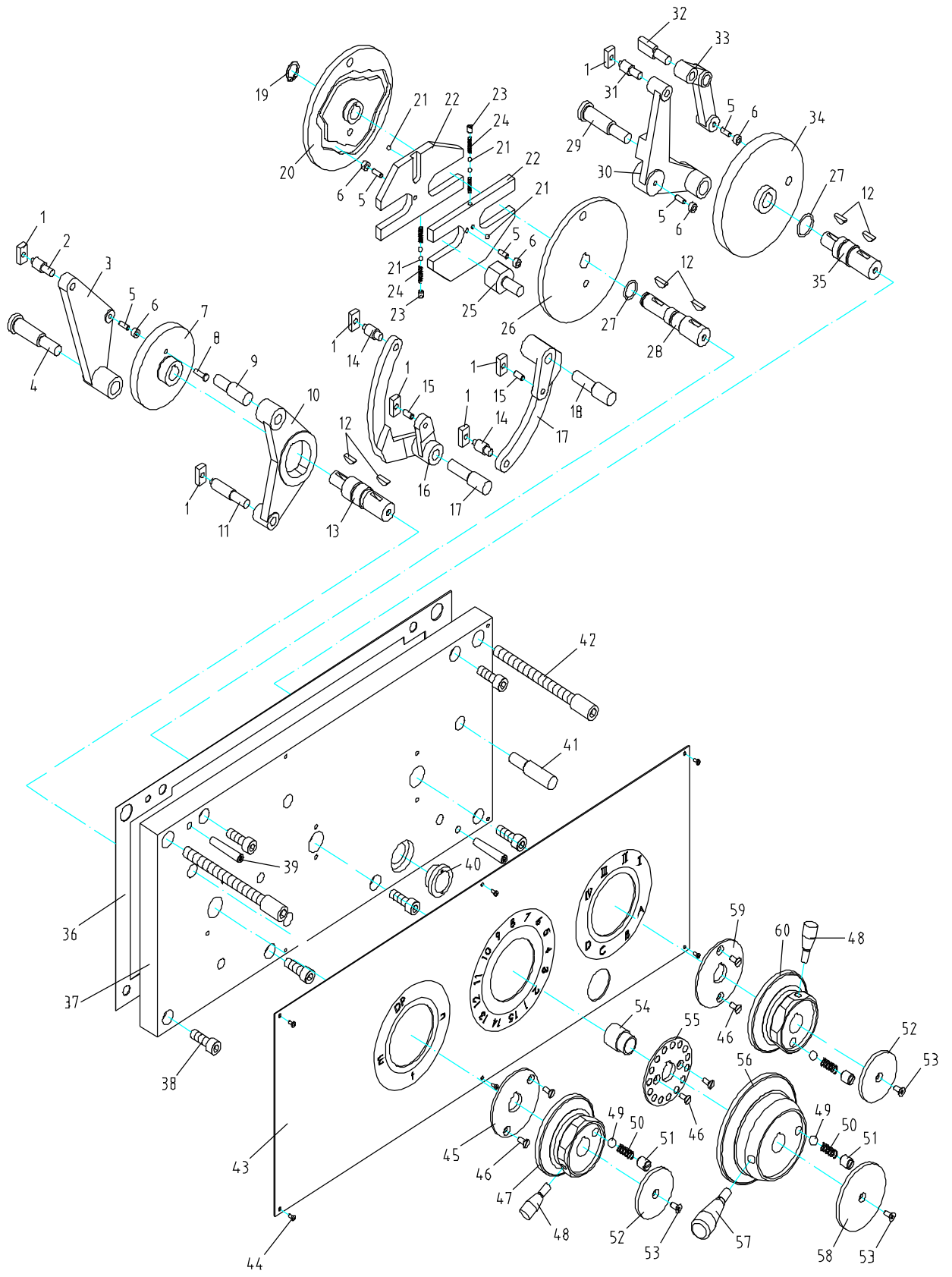


**Gear Box Assembly II**

<b>Index</b>	<b>Part</b>			
<b>No.</b>	<b>No.</b>	<b>Description</b>	<b>Size</b>	<b>Qty.</b>
1.....	C6140W-05109.....	Sliding Block.....		7
2.....	C6140W-05701.....	Shaft.....		2
3.....	C6140W-05105.....	Ratio Change Rocker.....		1
4.....	C6140W-05709.....	Rocker Shaft.....		2
5.....	GB119.....	Pin.....	5x14.....	6
6.....	C6140W-05720.....	Roller.....		6
7.....	C6140W-05708.....	Cam.....		1
8.....	C6140W-05703.....	Roller Shaft.....		1
9.....	C6140W-05702.....	Shaft.....		1
10.....	C6140W-05103.....	Rocker.....		1
11.....	C6140W-05710.....	Shaft.....		1
12.....	GB1099.....	Key.....	5x19.....	6
13.....	C6140W-05707.....	Shaft.....		1
14.....	C6140W-05711.....	Shaft.....		1
15.....	GB119.....	Pin.....	6x14.....	2
16.....	C6140W-05110.....	Shaft.....		1
17.....	C6140W-05106.....	Upper Rocker.....		1
18.....	C6140W-05712.....	Shaft.....		1
19.....	GB894.1.....	C-clip For Shaft.....	16.....	1
20.....	C6140W-05717.....	Cam.....		1
21.....	GB308.....	Steel Ball.....	5.....	6
22.....	C6140W-05719.....	Pulley.....		2
23.....	GB73.....	Set Screw.....	M6x8.....	2
24.....	Q81-1.....	Spring.....	0.6x4 x20.....	4
25.....	C6140W-05718.....	Positioning Column.....		1
26.....	C6140W-05109.....	Sliding Block.....		1
27.....	G51-2A.....	Ring Seal.....	25 x2.4.....	2
28.....	C6140W-05716.....	Handle Axle.....		1
30.....	C6140W-05112.....	Rocker.....		1
31.....	C6140W-05721.....	Shaft.....		1
32.....	C6140W-05722.....	Shaft.....		1
33.....	C6140W-05111.....	Rocker.....		1
34.....	C6140W-05725.....	Cam.....		1
35.....	C6140W-05723.....	Shaft.....		1
36.....	C6140W-05501.....	Washer.....		1
37.....	C6140W-05115.....	Front Cover.....		1
38.....	GB70.....	Hex Socket Cap Screw.....	M10x30.....	6
39.....	GB118.....	Pin.....	8x50.....	2
40.....	C6266C-GBA40.....	Oil Sight Glass.....		1
41.....	C6140W-05721.....	Shaft.....		1
42.....	C6140W-05727.....	Hex Socket Cap Screw.....		1
43.....	C6140W-05301.....	Panel.....		1
44.....	GB818.....	Cross Recessed Pan Head Screws.....	M3x6.....	6
45.....	C6140W-05704.....	Positioning Disc.....		1
46.....	GB68.....	Slotted Head Screws.....	M6x12.....	6

47.....	C6140W-05104.....	Lever Support.....	1
48.....	C6140W-05705.....	Lever.....	2
49.....	GB308 .....	Steel Ball .....	10.....3
50.....	Q81-1.....	Spring.....	1.6x8 x28.....3
51.....	GB73 .....	Slotted Set Screws .....	M12x14 .....
52.....	C6140W-05706.....	Disk.....	2
53.....	GB819 .....	Cross Recessed Head Screws.....	M5x12 .....
54.....	C6140W-05108.....	Sleeve.....	1
55.....	C6140W-05713.....	Positioning Disc.....	1
56.....	C6140W-05107.....	Lever Support.....	1
57.....	C6140W-05714.....	Lever.....	1
58	C6140W-05715.....	Cover .....	1
59	C6140W-05724.....	Positioning Disc.....	1
60	C6140W-05113 .....	Lever Support.....	1

## Gear Box Assembly II



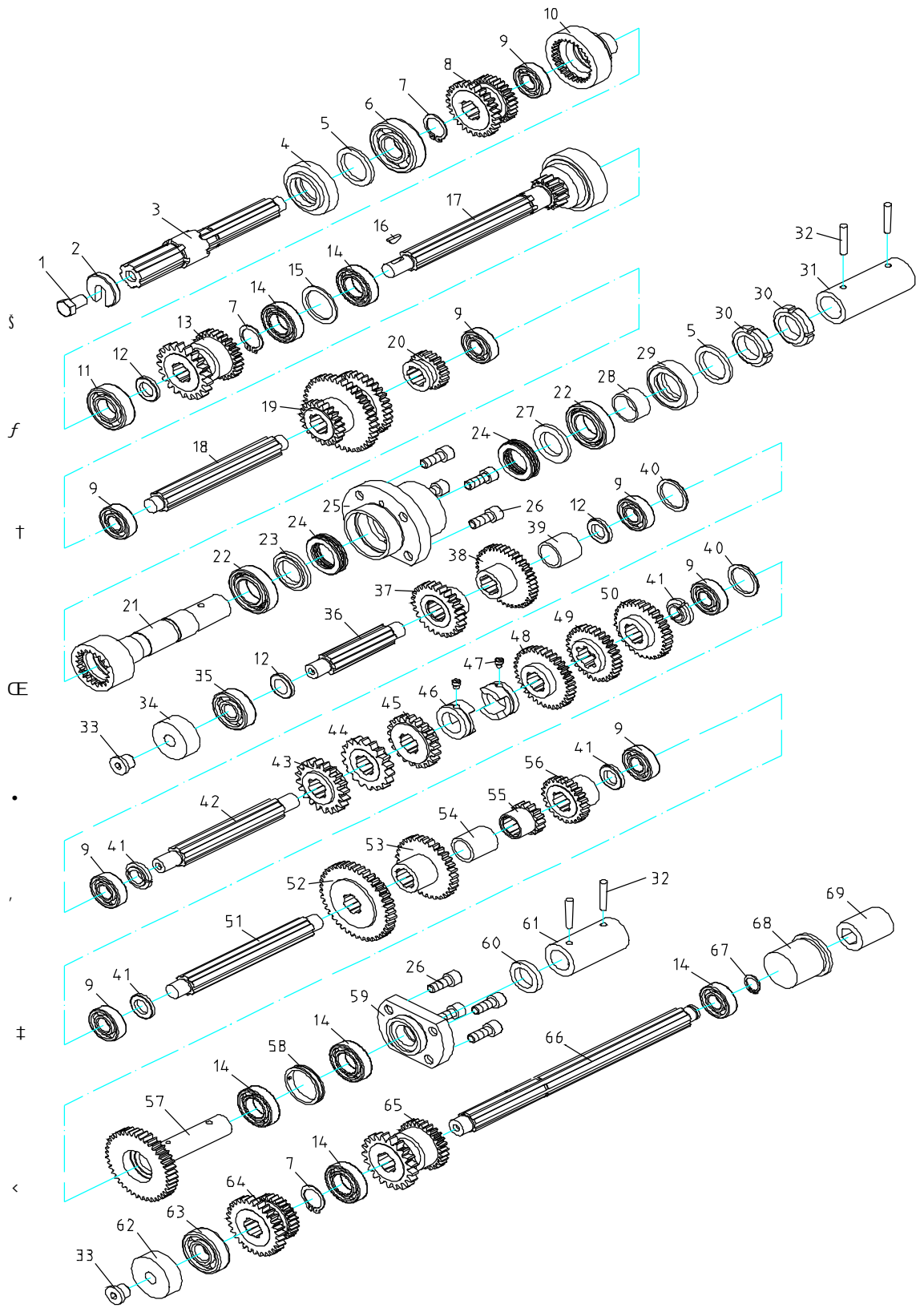
**Gear Box Assembly III**

Index No.	Part No.	Description	Size	Qty.
1	GB5783	Hexagon Head Bolts	M12x20	1
2	GB851	Washers With Split	A12x40	1
3	C6140W-05730	I Shaft		1
4	C6140W-05116	Bearing Cover		1
5	G51-1	Felt Washer	35	2
6	6305	Bearing	25x62x17	1
7	GB894.1	C-clip For Shaft	25	3
8	C6140W-05731	Double Gear		1
9	6203	Spring	17x40x12	7
10	C6140W-05732	Gear		1
11	6205	Spring	25x52x15	1
12	C6140W-05127	Washer		3
13	C6140W-05733	Double Gear		2
14	6005	Spring	25x47x12	4
15	C6140W-05736	Sleeve		2
16	GB1099	Key	4x16	1
17	C6140W-05735	V Shaft		1
18	C6140W-05738	VII Shaft		1
19	C6140W-05737	Triple Gear		1
20	C6140W-05739	Gear		1
21	C6140W-05743	VIII Shaft		1
22	16006	Spring	30x55x9	2
23	C6140W-05740	Sleeve		2
24	51106	Spring	30x47x11	2
25	C6140W-05117	Flange Sleeve		1
28	C6140W-05118	Sleeve		1
29	C6140W-05741	Bearing Cover		1
30	C6140W-05742	Round Nut		2
31	C6140W-05119	Shaft		1
32	GB117	Taper Pin	6x40	4
33	G38-4A	Plug	M16x1.5	2
34	C6140W-05128	Bearing Cover		1
35	6303	Spring	17x47x14	1
36	C6140W-05762	II Shaft		1
37	C6140W-05763	Gear		1
38	C6140W-05764	Gear		1
39	C6140W-05125	Sleeve		1
40	C6140W-05751	Sleeve		2
41	C6140W-05752	Adjust Washer		4
42	C6140W-05754	IV Shaft		1
43	C6140W-05759	Gear		1
44	C6140W-05758	Gear		1
45	C6140W-05757	Gear		1
46	C6140W-05734	Positioning Sleeve		1

47.....	GB75 .....	Slotted Set Screws .....	M8x10 .....	2
48.....	C6140W-05756.....	Gear.....		1
49.....	C6140W-05755.....	Gear.....		1
49.....	C6140W-05753.....	Gear.....		1
52.....	C6140W-05750.....	Gear.....		1
53.....	C6140W-05748.....	Gear.....		1
54.....	C6140W-05124.....	Sleeve.....		1
55.....	C6140W-05747.....	Gear.....		1
56.....	C6140W-05746.....	Gear.....		1
57.....	C6140W-05745.....	IX Shaft .....		1
58.....	C6140W-05744.....	Sleeve.....		1
59.....	C6140W-05121.....	Flange Sleeve.....		1
60.....	G51-1.....	Felt Washer .....	25.....	1
61.....	C6140W-05120.....	Shaft Connector.....		1
62.....	C6140W-05126.....	Bearing Cover.....		1
63.....	6304.....	Spring.....	20x52x15.....	1
64.....	C6140W-05761.....	Double Gear .....		1
66.....	C6140W-05760.....	III Shaft.....		1
67.....	GB894.1.....	C-clip For Shaft.....	17.....	1
68.....	C6140W-05123.....	Sleeve.....		1
69.....	C6140W-05122.....	Sleeve.....		1

### Gear Box Assembly III

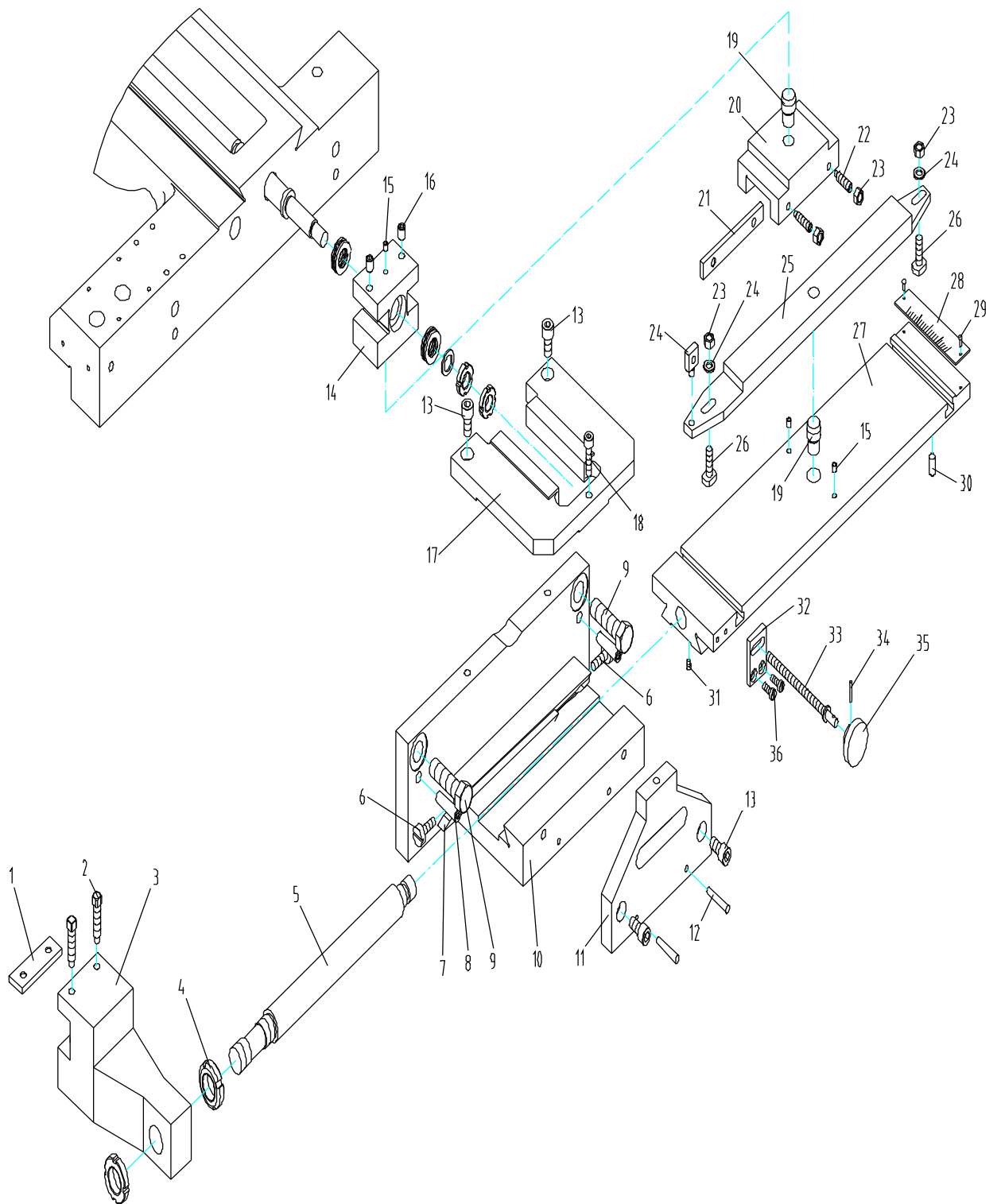




**Taper Attachment Assembly**

<b>Index No.</b>	<b>Part No.</b>	<b>Description</b>	<b>Size</b>	<b>Qty.</b>
1	C6266C-15103	Slide Gib		1
2	GB83	Square Cap Bolt	M10x40	2
3	C6266C-15102	Block		1
4	GB812	Round Nut	M24x1.5	2
5	C6266C-15707	Pulling Rod		1
6	C6266C-15711	Adjust Bolt		2
7	C6266C-15710	Slide Gib		1
8	GB118	Taper Pin	10x40	2
9	GB5781	Hex Bolt	M16x55	2
10	C6266C-15104	Sliding		1
11	C6266C-15106	Bracket		1
12	GB118	Pin	6x40	2
13	GB70	Hex Socket Cap Screw	M10x20	4
14	C6266C-15708	Slide Block		1
15	GB1155	Oil cup	6	3
16	GB77	Hex Socket Set Screws	M10x14	2
17	C6266C-15105	Positioning Block		1
18	GB70	Hex Socket Cap screw	M8x30	1
19	C6266C-15709	Positioning Column		2
20	C6266C-15107	Slide Block		1
21	C6266C-15108	Slide Gib		1
22	GB75	Slotted Cylindrical End Set Screw	M8x30	2
23	GB6170	Hex Nut	M8	4
24	GB97.2	Plain Washers	8	2
25	C6266C-15702	Guiding Plate		1
26	C6266C-15701	T-Bolt		2
27	C6266C-15101	Slide Block		1
28	C6266C-15301	Sign Block		1
29	GB827	Rivet	3x8	2
30	GB71	Slotted Set Screw	M8x18	1
31	GB75	Set Screw	M6x8	1
32	C6266C-15705	Positioning Block		1
33	C6266C-15704	Screw		1
34	GB117	Pin	3x20	1
35	C6266C-15706	Knob		1
36	GB65	Ball End Bolt	M6x16	2

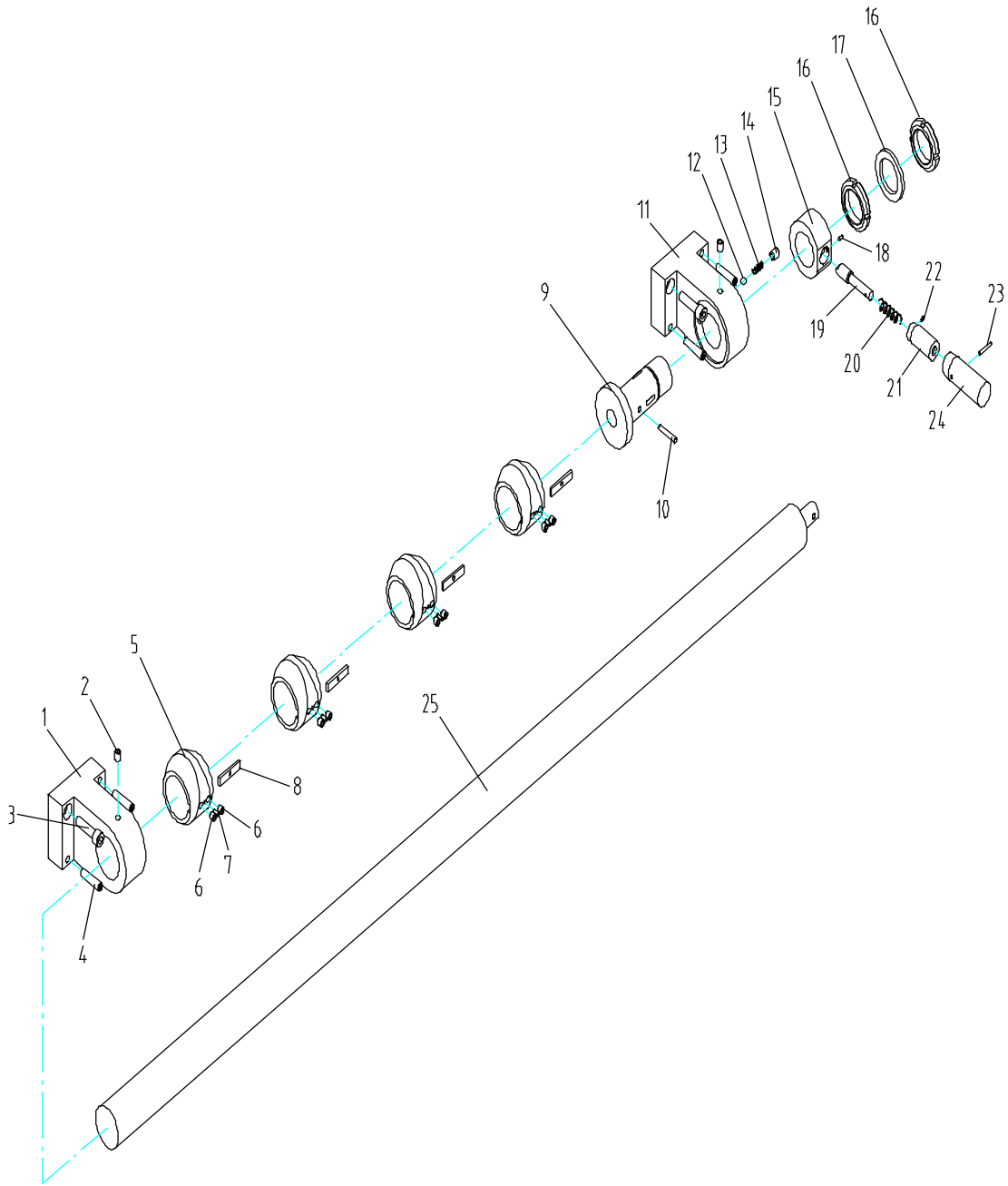
### Taper Attachment Assembly



**Micro Carriage Stop Assembly**

Index No.	Part No.	Description	Size	Qty.
1	C6266C-26102	Left Support		1
2	GB1155	Oil Cap	8	2
3	GB70	Hex Socket Cap Screw	M10x40	4
4	GB118	Pin	8x40	4
5	C6266C-26712	Eccentric Travel Setting Ring		6
6	GB77	Hex Socket Set Screws	M8x8	12
7	GB119	Set Screw	4x10	6
8	C6266C-26713	Locking Key		6
9	C6266C-26706	Shaft Connector		1
10	GB117	Taper Pin	6x35	1
11	C6266C-26101	Right Support		1
12	GB308	Steel Ball	8	1
13	GB2089	Spring	1.5x8 x20	1
14	GB77	Hex Socket Set Screws	M10x40	1
15	C6266C-26701	Sleeve		1
16	GB812	Round Nut	M39x1.5	2
17	C6266C-26702	Sleeve		1
18	GB71	Slotted Set Screws	M4x8	1
19	C6266C-26704	Sliding Axle		1
20	GB2089	Spring	1.2x13 x40	1
21	C6266C-26703	Sleeve		1
22	GB75	Slotted Set Screws	M4x6	1
23	GB117	Taper Pin	4x25	1
24	C6266C-26705	Handle		1
25	C6266C-26707A	Travel Setting Rod (For GH-2640ZH only)		1
	C6266C-26707B	Travel Setting Rod (For GH-2660ZH only)		1
	C6266C-26707C	Travel Setting Rod (For GH-2680ZH only)		1
	C6266C-26707CN	Travel Setting Rod (For GH-2686ZH only)		1
	C6266C-26707D	Travel Setting Rod (For GH-26120ZH only)		1

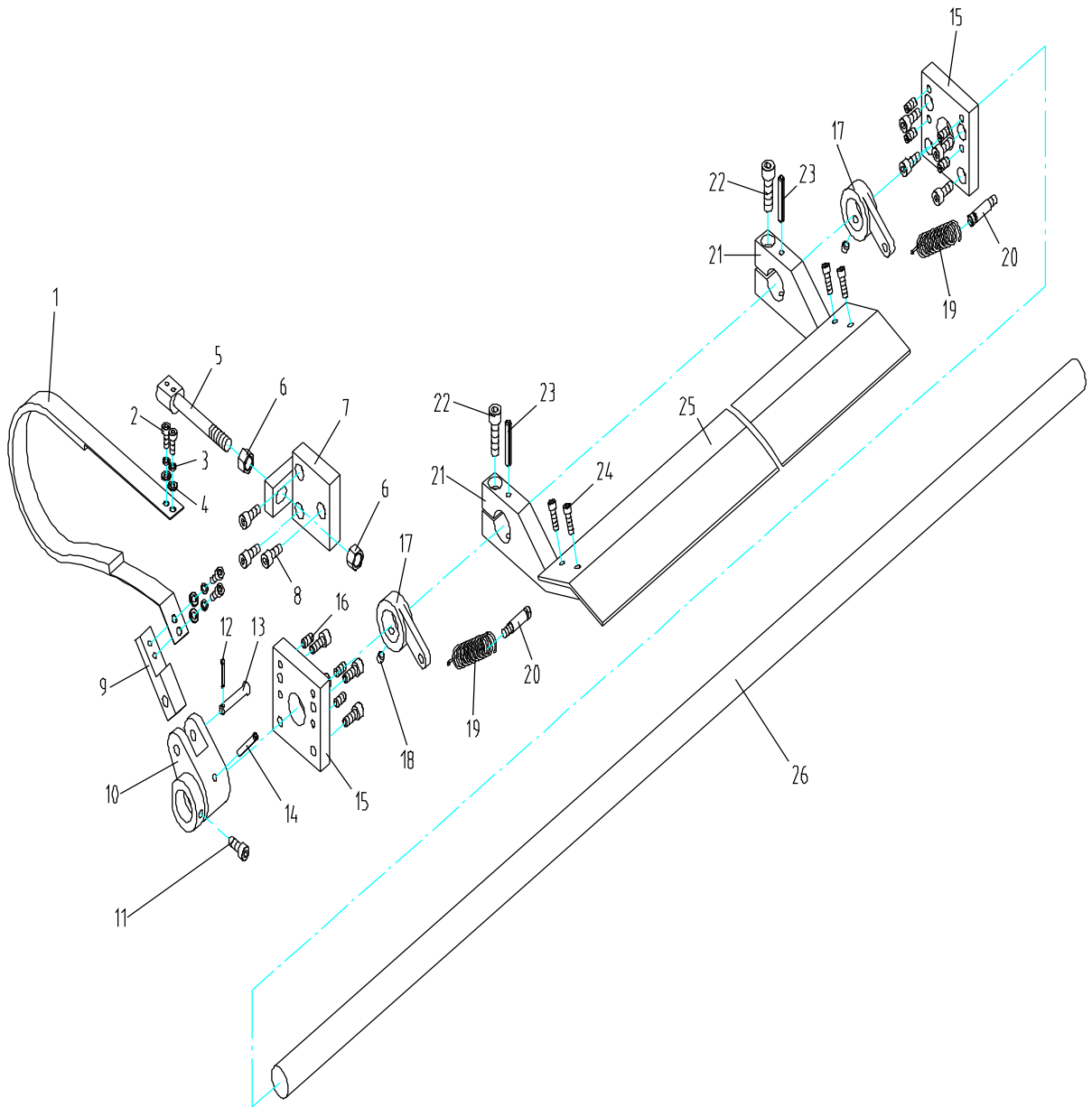
# Micro Carriage Stop Assembly



## Brake Assembly

Index	Part			
No.	No.	Description	Size	Qty.
1.....	C6266C-22705.....	Braking Belt .....		1
2.....	GB70 .....	Hex Socket Cap Screw .....	M6x14 .....	4
3.....	GB97 .....	Plain Washers .....	6.....	4
4.....	GB93 .....	Spring Lock Washers .....	6.....	4
5.....	C6266C-22704.....	Bolt.....		1
6.....	GB6170.....	Hex Nut .....	M12.....	2
7.....	C6266C-22103.....	Braking Belt Support.....		1
8.....	GB70 .....	Hex Socket Cap Screw .....	M8x20 .....	3
9.....	C6266C-22706.....	Brake Black .....		1
10.....	C6266C-22104.....	Fork.....		1
11.....	GB70 .....	Hex Socket Cap Screw .....	M8x20 .....	1
12.....	GB91 .....	Screw.....	3x20 .....	1
13.....	GB73 .....	Slotted set screws.....	M8x16 .....	3
14.....	GB879 .....	Spring Pin.....	6x45 .....	1
15.....	C6266C-22101.....	Support.....		2
16.....	GB73 .....	Slotted Set Screws .....	M8x16 .....	6
17.....	C6266C-22102.....	Brake Support.....		2
18.....	GB77 .....	Hex Socket Set Screws .....	M8x8 .....	2
19.....	Q81-1.....	Spring.....	2.5x18 x80.....	2
20.....	C6266C-26702.....	Screw.....		2
21.....	C6266C-22105.....	Brake Support.....		2
22.....	GB70 .....	Hex Socket Cap Screw .....	M10x35 .....	3
23.....	GB879 .....	Spring Pin.....	6x45 .....	3
24.....	GB70 .....	Hex Socket Cap Screw .....	M6x20 .....	4
25.....	C6266C-22708A .....	Pedal (For GH-2640ZH only) .....		1
.....	C6266C-22708B .....	Pedal (For GH-2660ZH only) .....		1
.....	C6266C-22708C .....	Pedal (For GH-2680ZH only) .....		1
.....	C6266C-22708CN.....	Pedal (For GH-2686ZH only) .....		1
.....	C6266C-22708D .....	Pedal (For GH-26120ZH only) .....		1
26.....	C6266C-22703A .....	Shaft (For GH-2640ZH only) .....		1
.....	C6266C-22703B .....	Shaft (For GH-2660ZH only) .....		1
.....	C6266C-22703C .....	Shaft (For GH-2680ZH only) .....		1
.....	C6266C-22703CN.....	Shaft (For GH-2686ZH only) .....		1
.....	C6266C-22703D .....	Shaft (For GH-26120ZH only) .....		1
27.....	GB97 .....	Hex Socket Set Screws .....	12.....	2
28.....	C6266C-22107.....	Side Cut Sleeve.....		1
29.....	GB70 .....	Hex Socket Cap Screw .....	M8x20 .....	12

# Brake Assembly



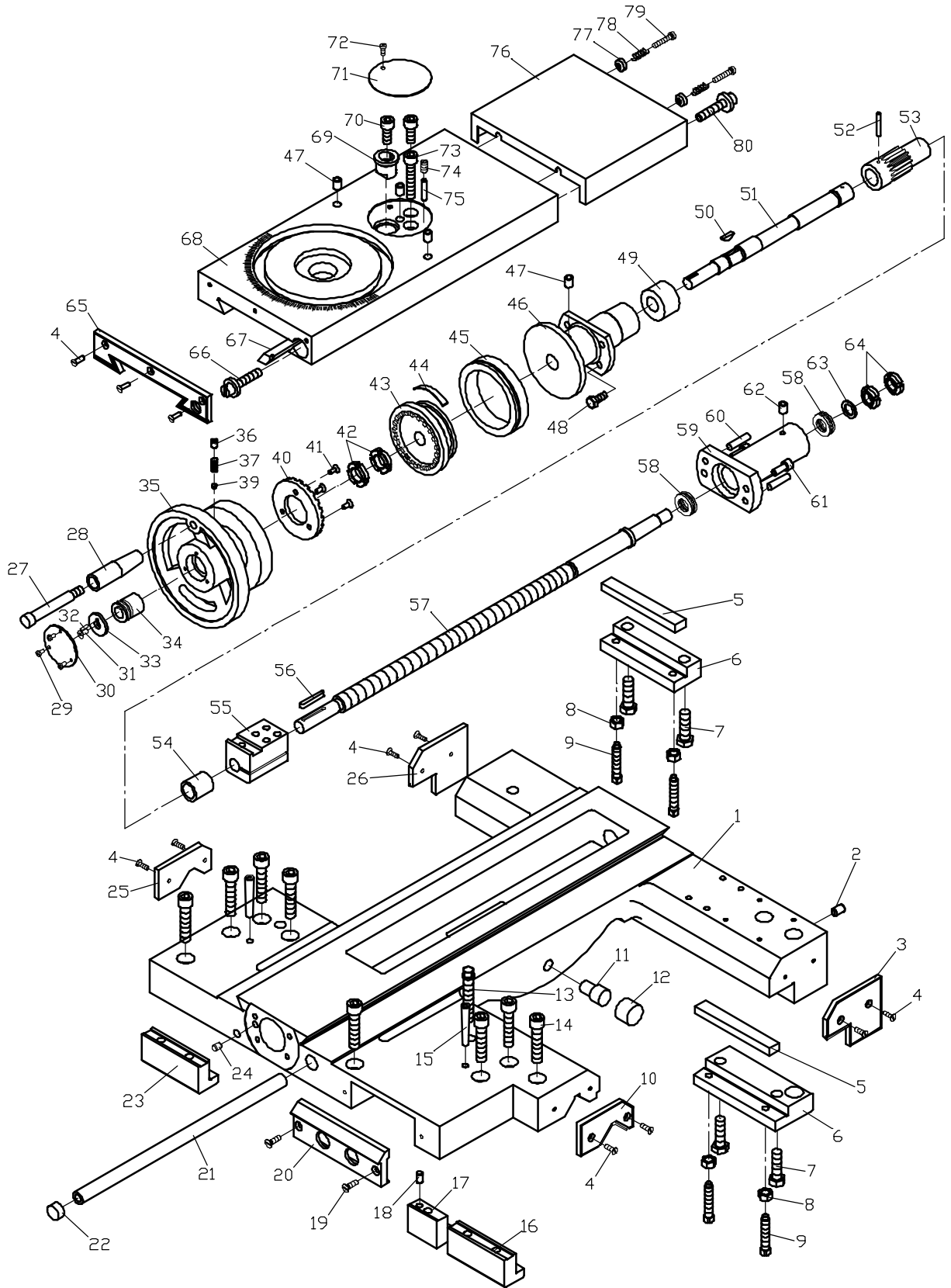
## Carriage Assembly I

Index	Part			
No.	No.	Description	Size	Qty.
1	C6266C-04101	Slide		1
2	GB73	Slotted Set Screw	M10x16	1
3	C6140W-04503	Wipe Plate		1
4	GB819	Cross Recessed Head Screw	M5x16	8
5	C6140W-04107	Lining Plate		1
6	C6140W-04718	Clamping Plate		1
7	GB70	Hex Socket Cap Screw	M12x45	4
8	GB6170	Hex Nut	M12	4
9	GB85	Square Set Screw	M10x35	4
10	C6140W-04501	Wipe Plate		1
11	1440R-04788	Stop Pin		1
12	1440R-04507	Stop Pin Cap		1
13	GB83	Square Cap Bolt	M12x70	1
14	GB70	Hex Socket Cap Screw	M12x55	8
15	GB119	Pin	8x60	2
16	C6140W-04713	Front Clamping Plate		2
17	C6140W-04712	Locking Plate		1
18	GB119	Pin	8n6x20	1
19	GB68	Recessed Sunk Head Screw	M6 x 22	2
20	C6140W-04715	Switch Seat		1
21	C6140W04711	Line Pipe		1
22	C6140W04106	Plug		1
23	C6140W04720	Back Clamping Block		1
24	GB119	Pin	8n6x10	1
29	C6140W-04505	Wipe Plate		1
30	C6140W-04504	Wipe Plate		1
27	C6266C-04721	Lever Shaft		1
28	C6266C-04722	Lever Sleeve		1
29	GB818	Cross Head Screw	M4x8	3
30	C6266C-04306	Panel		1
31	GB819	Cross Recessed Head Screw	M5x12	1
32	GB119	Pin	3n6x10	1
33	C6266C-04725	Cover		1
34	C6266C-04724	Sleeve		1
35	C6266C-04108	Handle		1
36	GB73	Slotted Set Screw	M8x10	1
37	Q81-1	Spring	0.8x6x12	1
39	C6266C-04733	Positioning Pin		1
40	C6266C-04720	Connector		1
41	GB819	Cross Recessed Head Screw	M5x14	3
42	GB812	Round Nut	M18x1.5	2
43	C6266C-04719	Connector		1
44	C6266C-04718	Spring Leaf		1



45.....	C6140W-04705A.....	Dial (For Metric style).....	1
46.....	C6140W-04107.....	Screw Support.....	1
47.....	GB1155.....	Oil Cup.....	6..... 1
48.....	GB70.....	Hex Socket Cap Screw.....	M8x20..... 4
49.....	C6266C-04109.....	Sleeve.....	1
50.....	GB1099.....	Half Circle Key.....	5x7.5x19..... 1
51.....	C6266C-04726.....	Shaft.....	1
52.....	GB117.....	Taper Pin.....	4x35..... 1
53.....	C6266C-04705.....	Shaft.....	8
54.....	C6266C-04103.....	Sleeve.....	1
55.....	C6140W-04301.....	Nut (For Metric style).....	1
56.....	GB1096.....	Flat Key.....	1
57.....	C6266C-04701.....	Lead Screw (For Metric style).....	1
58.....	51103.....	Thrust Bearing.....	17x30x9..... 2
59.....	C6266C-04110.....	Bracket.....	1
60.....	GB117.....	Taper Pin.....	8x40..... 2
61.....	GB70.....	Hex Socket Cap Screw.....	M8x20..... 2
62.....	GB1155.....	Oil Cap.....	6..... 1
63.....	C6266C-04702.....	Washer.....	1
64.....	GB812.....	Round Nut.....	M14x1.5..... 2
65.....	C6266C-04501.....	Wipe Plate.....	1
66.....	C6266C-04727.....	Gib Setting Screw.....	1
67.....	C6266C-04728.....	Cross Slide Gib.....	1
68.....	C6266C-04102.....	Cross Slide.....	1
69.....	C6266C-04704.....	Sleeve.....	1
70.....	GB70.....	Hex Socket Cap Screw.....	M10x50..... 2
71.....	C6140W-04714.....	Cover.....	1
72.....	GB818.....	Cross Recessed Pan Head Screw.....	M5x8..... 2
73.....	GB70.....	Hex Socket Cap Screw.....	M10x40..... 1
74.....	GB73.....	Slotted Set Screw.....	M8x40..... 1
75.....	GB119.....	Pin.....	6x35..... 1
76.....	C6266C-04703.....	Splash Guard.....	1
77.....	C6140W-04722.....	Clamping Block.....	1
78.....	Q81-1.....	Spring.....	1.6x10x24..... 2
79.....	GB65.....	Slotted Socket Cap Screw.....	M6x50..... 2

# Carriage Assembly I

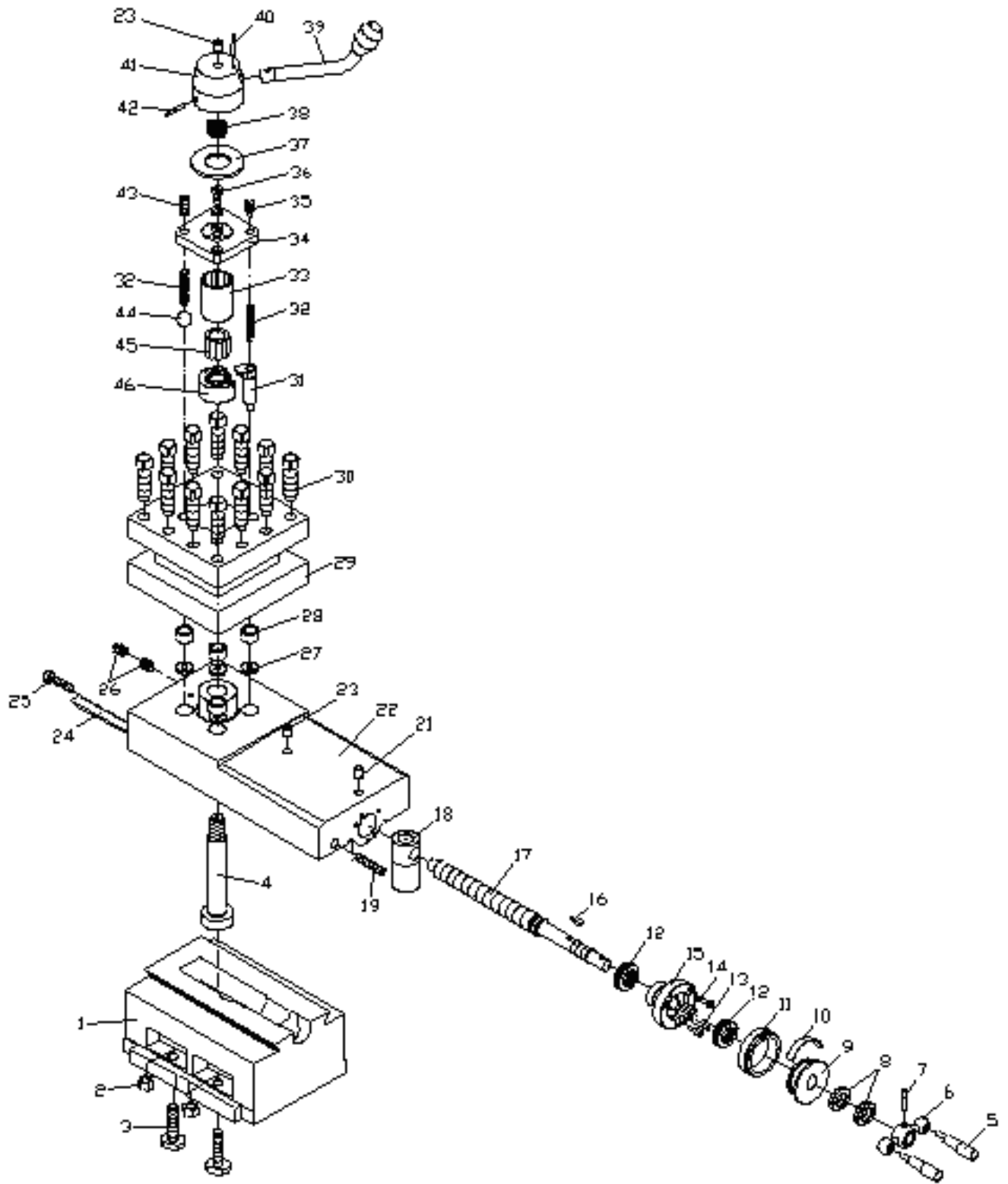


## Carriage Assembly II

Index No.	Part No.	Description	Size	Qty.
1	C6266C-04104	Revolving Plate		1
2	GB6170	Hex Nut	M12	4
3	C6266C-04706	Compound Screw		4
4	C6266C-04707	Shaft		1
5	C6140W-04737	Handle		2
6	C6140W-04738	Lever		1
7	GB117	Taper Pin	5x30	1
8	GB812	Round Nut	M18x1.5	2
9	C6140W-04110	Dial		1
10	C6140W-04739	Spring Leaf		1
11	C6140W-04740	Dial (For Metric style)		1
12	51104	Thrust Bearing	20x35x10	2
13	GB117	Taper Pin	4x25	2
14	GB70	Hex Socket Cap Screw	M5x14	3
15	C6140W-04111	Bearing		1
16	GB1099	Half Circle Key	5x7.5x19	1
17	C6140W-04741	Lead Screw (For Metric style)		1
18	C6266C-04301Y	Nut (For Metric style)		1
19	GB77	Hexagon Socket Set Screws	M12x70	1
21	GB1155	Oil Cup	10	1
22	C6266C-04105	Longitudinal Slide		1
23	GB1155	Oil Cup	6	3
24	C6266C-04717	Slide Gib		1
25	C6266C-04716	Adjust Screw		1
26	GB73	Slotted Set Screw	M10x20	2
27	C6140W-04727	Washer		4
28	C6140W-04728	Positioning Sleeve		4
29	C6266C-04708	Tool Post		1
30	GB83	Square Cap Bolt	M16x50	12
31	C6266C-04715	Positioning Pin		1
32	Q81-1	Spring	1.6x8x98	2
33	C6266C-04712	Spline		1
34	C6266C-04709	Flange Disc		1
35	C6140W-04732	Bolt		1
36	GB70	Hex Socket Cap Screw	M8x16	2
37	C6266C-04710	Adjust Washer		1
38	Q81-1	Spring	3x32x55	1
39	C6266C-04711	Handle		1
40	GB119	Pin	5n6x32	1
41	C6266C-04106	Lever Support		1
42	GB117	Taper Pin	4x40	1
43	GB73	Slotted Set Screw	M12x14	1
44	GB308	Boll	19	1

45.....	C6266C-04713.....	Connector.....	1
46.....	C6266C-04714.....	Connector.....	1

# Carriage Assembly II



## Apron Assembly I

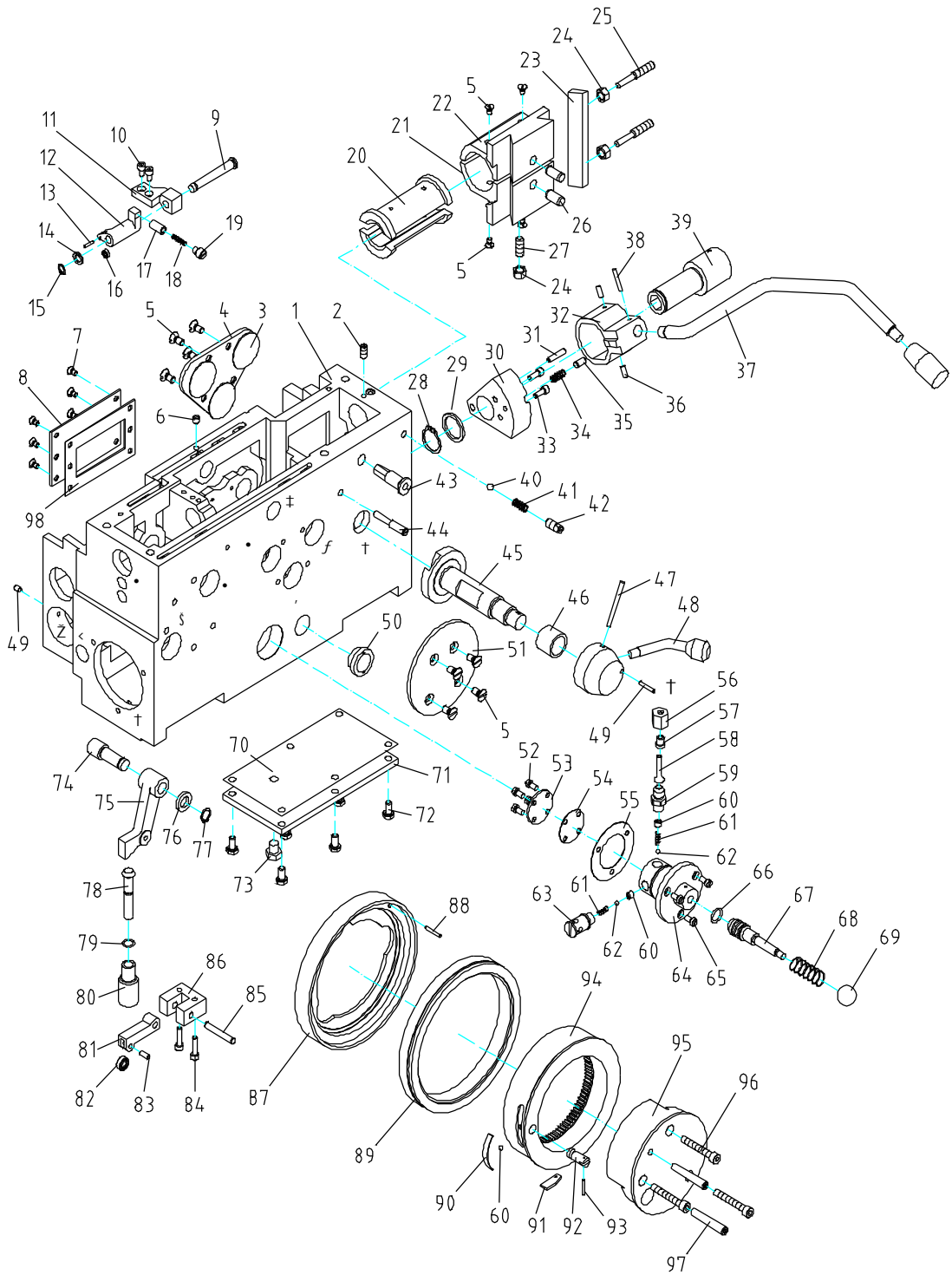
Index No.	Part No.	Description	Size	Qty.
1	C6266C-06101	Apron Casting		1
2	GB71	Set Screw	M8x10	1
3	C6266C-06506	Washer		3
4	C6140W-06750	Back Cover		1
5	GB819	Cross Recessed Head Screw	M8x16	8
6	GB3452.1	Ring Seal	8.75x1.8G	1
7	GB68	Slotted Head Screw	M6x10	1
8	C6140W-06731	Cover		1
9	C6266C-06719	Small Shaft		1
10	GB70	Hex Socket Cap Screw	M6x10	2
11	C6266C-06718	Limiting Support		1
12	C6266C-06108	Rocker		1
13	GB119	Pin	3n6x12	1
14	C6266C-06720	Washer		1
15	GB894.1	C-clip For Shaft	10	1
16	623	Bearing	3x10x4	1
17	C6266C-06729	Pin		1
18	Q81-1	Spring	1.2x6x28	1
19	GB75	Slotted Socket Set Screw	M12x16	1
20	C6140W-06302	Half Nut (For Metric style)		1
21	C6140W-06107	Upper Nut		1
22	C6140W-06108	Lower Nut		1
23	C6140W-06759	Gib		1
24	GB6170	Hex Nut	M10	2
25	C6140W-06758	Cylindrical End Set Screw		1
26	GB119	Pin	12x25	2
27	GB73	Slotted Set Screw	M10x25	1
28	GB894.1	C-clip For Shaft	30	1
29	C6140W-06755	Washer		1
30	C6266C-06105	Positioning Block		1
31	GB117	Taper Pin	6x35	1
32	C6266C-06106	Lever Support		1
33	GB70	Hex Socket Cap Screw	M6x16	2
34	Q81-1	Spring	1.2x8x22	1
35	GB119	Pin	8x14	1
36	GB119	Pin	6n6x18	2
37	C6266C-06711	Control Handle		1
38	GB117	Taper Pin	5x30	1
39	C6266C-06710	Positioning Sleeve		1
40	GB308	Steel Ball	10	1
41	Q81-1	Spring	1.5x8x35	1
42	GB73	Slotted Set Screw	m12x14	1
43	C6266C-06A780	Positioning Sleeve		1

44.....	C6140W-06716.....	Bolt.....	1
45.....	C6140W-06725.....	VII Shaft.....	1
46.....	C6140W-06303.....	Sleeve.....	1
47.....	GB119.....	Pin.....	5x60.....1
48.....	C6266C-06716.....	Handle.....	1
49.....	GB119.....	Pin.....	5x25.....1
50.....	R51-2.....	Oil Sight Glass.....	20.....1
51.....	C6140W-06760.....	Front Cover.....	1
52.....	GB65.....	Slotted Socket Cap Screw.....	M6x10.....4
53.....	C6266C-06713.....	Pump Cover.....	1
54.....	C6266C-06505.....	Washer.....	1
55.....	C6266C-06504.....	Washer.....	1
56.....	Y91-1A.....	Nut.....	8.....1
57.....	C6266C-06727.....	Sleeve.....	1
58.....	T3-M.....	Copper Pipe.....	Ø6x0.75x450.....1
59.....	C6266C-06726.....	Valve.....	1
60.....	C6266C-06714.....	Adjust Bolt.....	2
61.....	Q81-1.....	Spring.....	0.3x3x12.....2
62.....	GB308.....	Steel Ball.....	5.....2
63.....	C6266C-06715.....	Oil Purifier.....	1
64.....	C6266C-06107.....	Pump.....	1
65.....	GB65.....	Slotted Socket Cap Screw.....	M6x12.....3
66.....	G51-2A.....	Ring Seal.....	20x2.4.....1
67.....	C6266C-06712.....	Piston-rod.....	1
68.....	Q81-1.....	Spring.....	1.2x19x70.....1
69.....	GB4141.11.....	Ball.....	M8x25.....1
70.....	C6266C-06502.....	Washer.....	1
71.....	C6266C-06103.....	Button Cover.....	1
72.....	GB70.....	Hex Socket Cap Screw.....	M8x12.....6
73.....	GB38-2.....	Drain Plug.....	M12x1.5.....1
74.....	C6266C-06725.....	Shaft.....	1
75.....	C6266C-06109.....	Rocker.....	1
76.....	C6266C-06724.....	Washer.....	1
77.....	GB894.1.....	C-clip For Shaft.....	15.....1
78.....	C6266C-06721.....	Rod.....	1
79.....	G51-2A.....	Ring Seal.....	12x1.9.....1
80.....	C6266C-06723.....	Sleeve.....	1
81.....	C6266C-06722.....	Block.....	1
82.....	606.....	Bearing.....	6x17x6.....1
83.....	GB119.....	Pin.....	5n6x15.....1
84.....	GB75.....	Slotted Socket Set Screw.....	M5x16.....2
85.....	GB119.....	Pin.....	8n6x45.....1
86.....	C6266C-06110.....	Positioning Block.....	1
87.....	C6140W-06116.....	Bracket Disk (For Metric style).....	1
88.....	GB119.....	Pin.....	6x25.....1
89.....	C6140W-06761.....	Dial (For Metric style).....	1
90.....	C6140W-06769.....	Spring Leaf.....	1

91.....	C6140W-06767.....	Locked Knob .....	1
92.....	C6140W-06768.....	Eccentric Shaft .....	1
93.....	GB119.....	Pin..... 3n6x22 .....	1
94.....	C6140W-06762.....	Gear (For Metric style).....	1
95.....	C6140W-06117 .....	Bracket (For Metric style).....	1
96.....	GB70 .....	Hex Socket Cap Screw..... M8x55 .....	1
97.....	GB119.....	Pin..... 12n6x40 .....	1
98.....	C6266C-06501.....	Washer.....	1
99.....	GB68 .....	Slotted Head Screw..... M6x12 .....	4



# Apron Assembly I

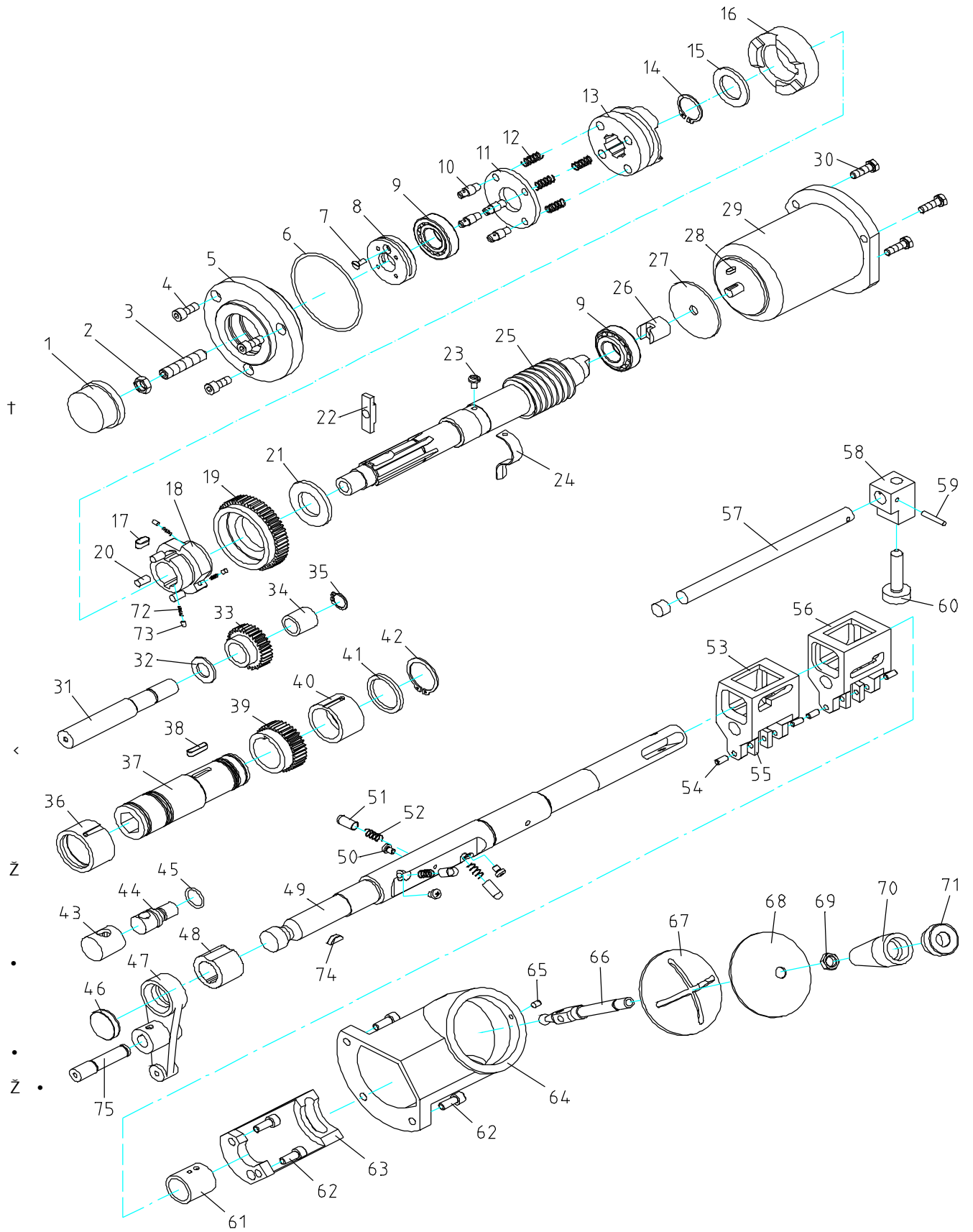


## Apron Assembly II

Index	Part			
No.	No.	Description	Size	Qty.
1	C6140W-06738	Adjust Knob		1
2	GB6172	Hex Flat Nut	M12	1
3	GB78	Hex Set Screw	M12x60	1
4	GB70	Hex Socket Cap Screw	M8x20	3
5	C6140W-06111	Flange		1
6	G51-2A	Ring Seal	93x3.1	1
7	GB68	Slotted Head Screw	M5x12	1
8	C6140W-06739	Adjust C-clip		1
9	30502/P6	Bearing	25x52x15	2
10	C6266C-06734	Bolt		4
11	C6140W-06740	Washer		1
12	Q81-1	Spring	1x10x35	4
13	C6266C-06707	Clutch		1
14	GB894.1	C-clip For Shaft	30	1
15	C6266C-06708	Washer		1
16	C6266C-06706	Clutch		1
17	GB1096	Flat Key	8x16	1
18	C6140W-06708	Star Gear		1
19	C6140W-06709	Gear		1
20	C6140W-06726	Pin		3
21	C6140W-06710	Washer		1
22	C6140W-06737	Block		1
23	GB67	Slotted Pan Head Screw	M6x10	1
24	C6140W-06729	Splash Leaf		1
25	C6266C-06209	Worm		1
26	C6140W-06728	Motor Connector		1
27	C6266C-06503	Washer		1
28	YSS56BJ	Motor	300W 1500r/min	1
29	GB1096	Flat Key		1
30	GB5782	Hex Bolt	M8x30	3
31	C6140W-06736	IX Shaft		1
32	C6140W-06735	Washer		2
33	C6140W-06734	Gear		1
34	C6140W-06306	Sleeve		1
35	GB894.1	C-clip For Shaft	16	1
36	C6140W-06305	Sleeve		1
37	C6140W-06733	X Shaft		1
38	GB1096	Flat Key	6x25	1
39	C6140W-06732	Gear		1
40	C6140W-06304	Sleeve		1
41	C6140W-06730	Washer		1
42	GB894.1	C-clip For Shaft	38	1
43	C6266C-6704	Oil Tap Cover		1

44.....	C6266C-06705.....	Oil tap.....	35.....	1
45.....	GB895 .....	Steel Wire C-clip.....		1
46.....	C6266C-06102.....	Plug.....		1
47.....	C6140W-06103.....	Fork.....		1
48.....	C6266C-06703.....	Limiting Sleeve .....		1
49.....	C6266C-06701.....	Control Shaft.....		1
50.....	GB67 .....	Slotted Pan Head Screw.....	M6x8 .....	3
51.....	Q81-1.....	Spring.....	1.6x8x22.....	3
52.....	C6140W-06701.....	Pin.....		3
53.....	C6140W-06713.....	Left Fork.....		1
54.....	GB119.....	Pin.....	6n6x14 .....	6
55.....	C6140W-06715.....	Sliding Block.....		6
56.....	C6140W-06714.....	Right Fork.....		1
57.....	C6140W-06717.....	Shaft.....		1
58.....	C6140W-06104.....	Inter-locking Block .....		1
59.....	GB117.....	Taper Pin .....	5x30 .....	1
60.....	C6140W-06718.....	Shaft.....		1
61.....	C6266C-06304.....	Sleeve.....		1
62.....	GB70 .....	Hex Socket Cap Screw.....	8x20 .....	5
63.....	C6140W-06719.....	Bracket.....		1
64.....	C6140W-06105.....	Bracket.....		1
65.....	GB71 .....	Slotted Set Screw.....		1
66.....	C6140W-06722.....	Handle.....	M6x10 .....	1
67.....	C6140W-06106.....	Cross Cover .....		1
68.....	C6140W-06501.....	Washer.....		1
69.....	GB6173.....	Hex Flat Nut .....	M12x1.25 .....	1
70.....	C6140W-06721.....	Handle .....		1
71.....	C6140W-06720.....	Washer.....		1
72.....	C6140W-06727.....	Pin.....		3
73.....	Q81-1.....	Spring.....	0.3x3x12.....	3
74.....	GB1099.....	Half Circle Key.....	5x19 .....	1
75.....	C6140W-06704.....	XIII Shaft.....		1

# Apron Assembly II

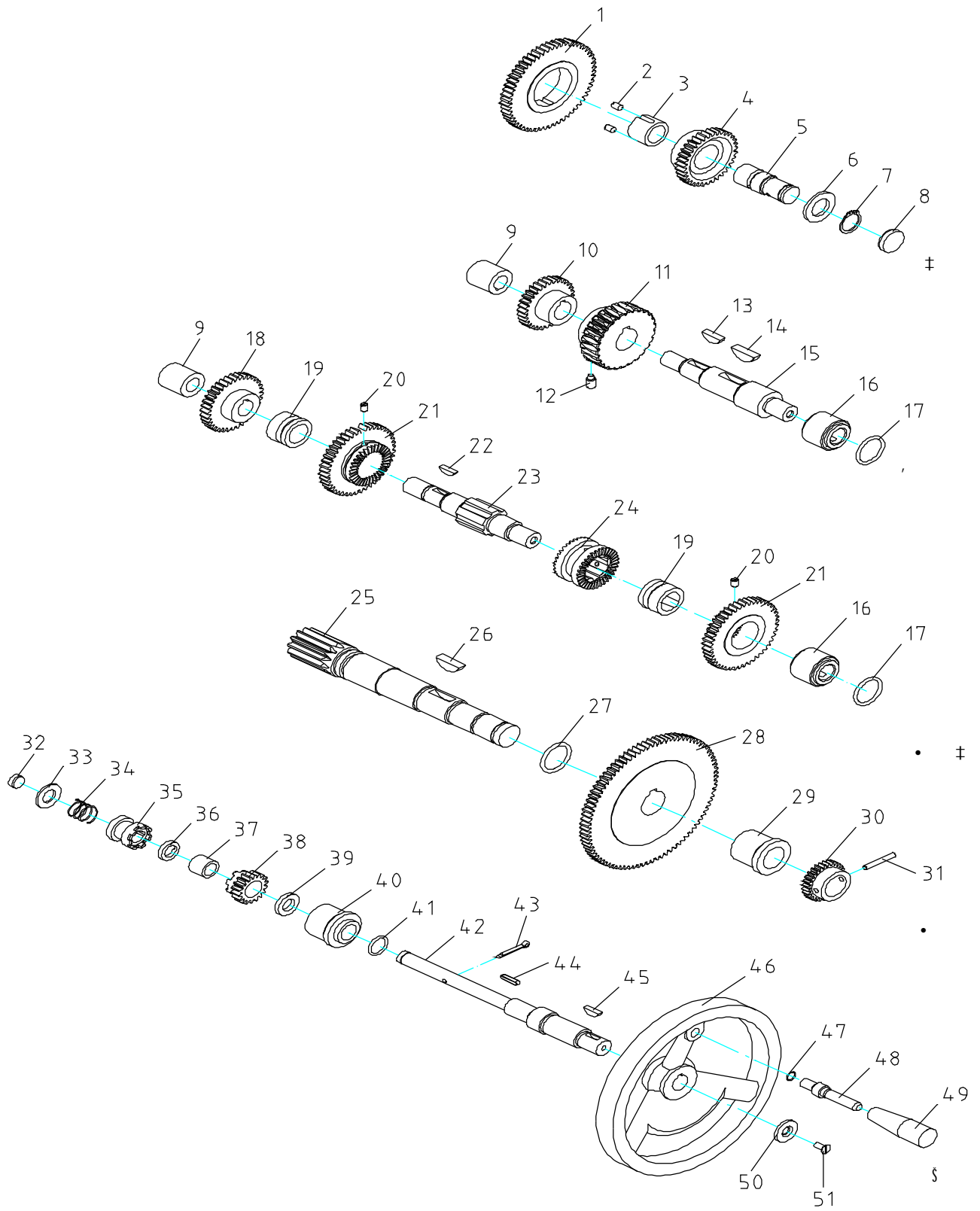


## Apron Assembly III

Index No.	Part No.	Description	Size	Qty.
1	C6140W-06751	Gear		1
2	GB71	Slotted Set Screw	M6x8	2
3	C6140W-06309	Sleeve		1
4	C6140W-06752	Gear		1
5	C6266C-06728	VI Shaft		1
6	C6140W-06754	Washer		1
7	GB894.1	C-clip For Shaft	20	1
8	C6140W-06114	Plug		1
9	C6140W-06113	Sleeve		3
10	C6140W-06749	Gear		1
11	C6140W-06308	Worm Wheel		1
12	GB72	Slotted Set Screw	M8x16	1
13	GB1099	Half Circle Key	6x22	1
14	GB1099	Half Circle Key	8x28	1
15	C6140W-06748	IV Shaft		1
16	C6140W-06115	Sleeve		3
17	G51-2A	Ring Seal	35x3.1	3
18	C6140W-06746	Gear		2
19	C6140W-06307	Sleeve		4
20	GB71	Slotted Set Screw	M6x10	4
21	C6140W-06744	Gear		4
22	GB1099	Half Circle Key	5x16	2
23	C6140W-06747	III Shaft		2
24	C6140W-06745	Connector		2
25	C6140W-06743	II Shaft		1
26	GB1099	Half Circle Key	8x28	1
27	G51-2A	Ring Seal	35x3.1	1
28	C6140W-06742	Gear		1
29	C6140W-06118	Sleeve		1
30	C6140W-06764	Gear		1
31	GB117	Taper Pin	5x35	1
32	C6140W-06112	Plug		1
33	C6140W-06774	Washer		1
34	Q81-1	Spring	1.6x18x25	1
35	C6140W-06773	Connector		1
36	C6140W-06772	Washer		1
37	C6140W-06371	Sleeve		1
38	C6140W-06771	Gear		1
39	C6140W-06770	Washer		1
40	C6140W-06120	Sleeve		1
41	G51-2A	Ring Seal	18x2.4	1
42	C6140W-06775	I Shaft		1
43	C6140W-06774	Washer		1

44.....	GB1096.....	Flat Key .....	4x20 .....	1
45.....	GB1099.....	Half Circle Key.....	5x16 .....	1
46.....	C6266C-06111 .....	Handle Wheel.....	.....	1
47.....	GB895 .....	Steel C-clip .....	10.....	1
48.....	C6140W-06766.....	Shaft.....	.....	1
49.....	C6140W-06765.....	Lever Sleeve .....	.....	1
50.....	GB891 .....	Circlip .....	5x12 .....	1
51.....	GB68 .....	Slotted Head Screw .....	25.....	1

# Apron Assembly III

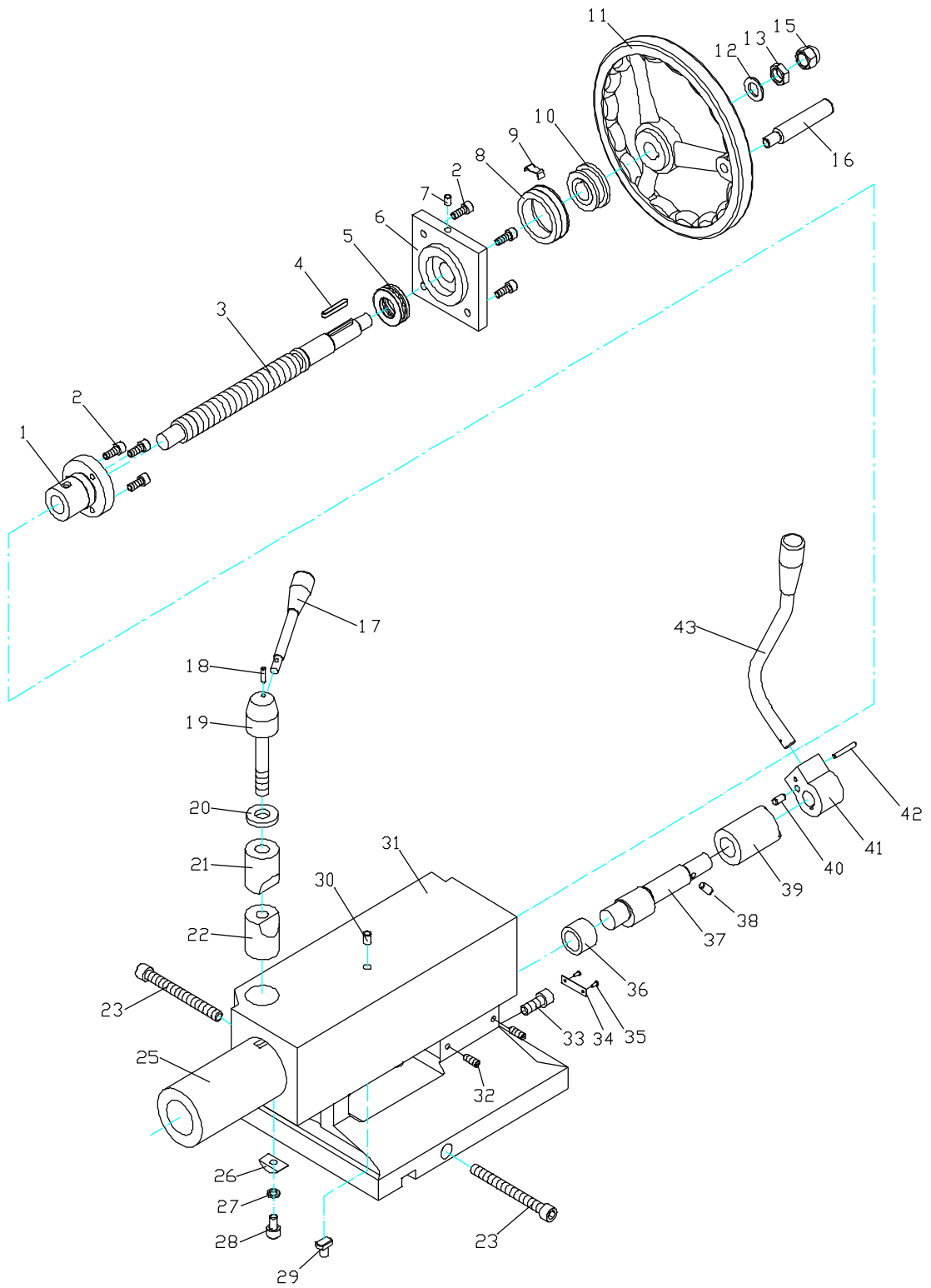


## Tailstock Assembly I

Index No.	Part No.	Description	Size	Qty.
1	GH1640ZX-03105	Nut		1
2	GB70	Hex Socket Cap Screw	M8x20	7
3	GH1840ZX-03710	Lead Screw		1
4	GB1096	Plain Key	6x40	1
5	51205	Thrust Bearing	25x47x15	1
6	C6250B-03105	Back Cover		1
7	GB1155	Oil Cup	8	2
8	GH1640ZX-03708G	Dial		1
9	C6132-03711	Spring Leaf		1
10	1440R-03706	Sleeve		1
11	C6140W-03107	Handle Wheel		1
12	GB97	Flat Washer	16	1
13	GB6172	Hex Flat Nut	M16	1
15	GB923	Nut	M16	1
16	C6140W-03705	Lever		1
17	C6140W-03710	Lever		1
18	GB117	Straight Pin	5x20	1
19	C6140W-03715	Lever Support		1
20	C6140W-03716	Washer		1
21	C6140W-03717	Clamping Block		1
22	C6140W-03718	Clamping Block		1
23	GB70	Hex Socket Cap Screw	M12x120	2
25	C6140W-03701	Center Sleeve		1
26	C6140W-03702	Clamping Block		1
27	GB93	Spring Washer	10	1
28	GB70	Hex Socket Cap Screw	M10x16	1
29	1440R-03702	Positioning Block		1
30	GB1155	Oil Cup	10	1
31	C6266C-03101	Tailstock Casting		1
32	GB75	Slotted Cylindrical End Set Screw	M8x25	2
33	GB70	Hex Socket Cap Screw	M12x25	1
34	C6132-03303	Panel		1
35	GB867	Half Circle Rivet	3x8	4
36	C6140W-03103	Sleeve		1
37	C6250B-03704	Eccentric Shaft		1
38	GB117	Taper Pin	6x45	1
39	C6250B-03103	Sleeve		1
40	GB119	Pin	8x15	1
41	C6250B-03104	Lever Sleeve		1
42	GB117	Taper Pin	5x40	1
43	C6250B-03705	Lock Handle		1



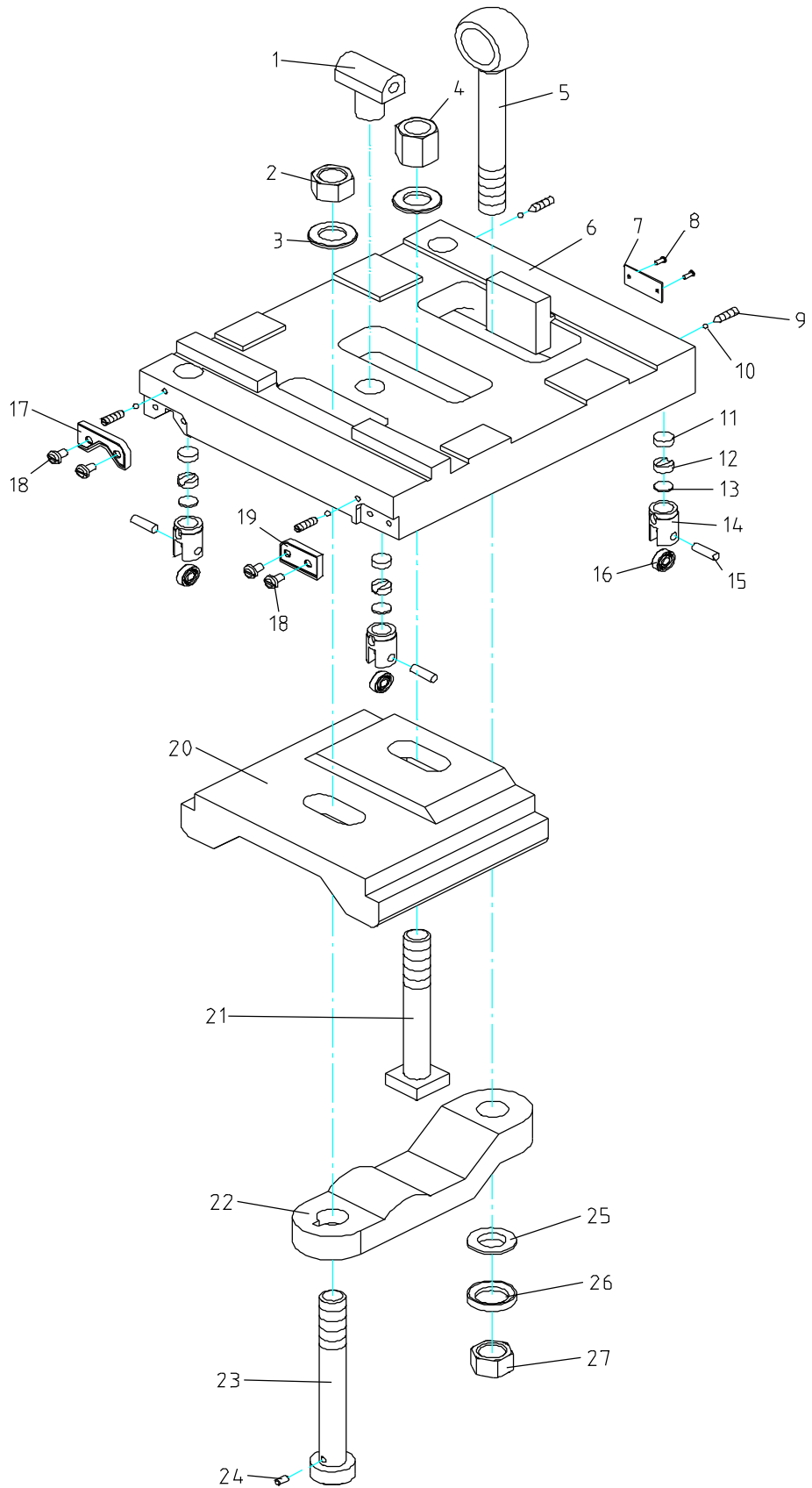
# Tailstock Assembly I



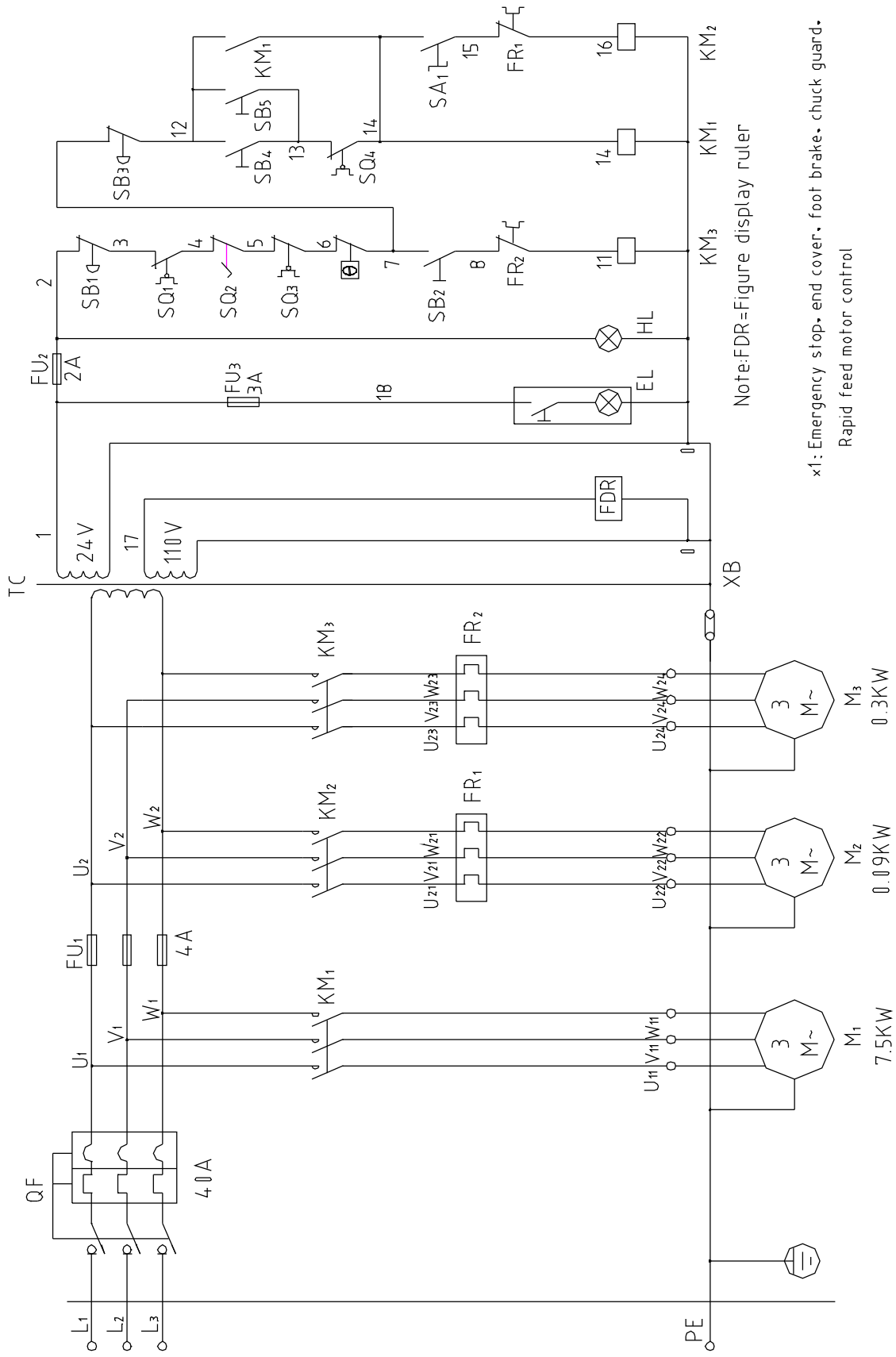
## Tailstock Assembly •

Index	Part			
No.	No.	Description	Size	Qty.
1.....	C6140W-03110 .....	Nut .....		1
2.....	GB6171.....	Hex Nut .....	M20x1.5 .....	1
3.....	GB97 .....	Slotted Pan Head Screw.....	20.....	1
4.....	GB56 .....	Hex Thick Nut .....	M20 .....	1
5.....	C6266C-03703.....	Pulling Rod .....		1
6.....	C6266C-03102.....	Sliding Base .....		1
7.....	C6132-03302 .....	Sign Plate .....		1
8.....	GB867 .....	Half Circle Rivet.....	3x8 .....	4
9.....	GB75 .....	Slotted Cylindrical End Set Screw.....	M6x16 .....	4
10.....	GB308 .....	Steel Ball .....	• 4 .....	4
11 .....	C6140W-03711 .....	Washer.....		4
12.....	C6140W-03712.....	Clamping Block.....		4
13.....	C6140W-03501 .....	Spring Washer .....		4
14.....	C6140W-03713.....	Bearing Support.....		4
15.....	C6140W-03714.....	Small Axle.....		4
16.....	607 .....	Ball Bearing .....	7x19x6.....	4
17.....	C6140W-03502.....	Wipe Plate.....		1
18.....	GB67 .....	Slotted Pan Head Screw.....	M6x10 .....	4
19.....	C6140W-03503.....	Wipe Plate .....		1
20.....	C6140W-03104.....	Clamping Block.....		1
21.....	C6266C-03702.....	Screw .....		1
22.....	C6140W-03111 .....	Clamping Block.....		1
23.....	C6266C-03701.....	Screw .....		1
24.....	GB119.....	Straight Pin.....	5x10 .....	1
25.....	GB849 .....	Ball Washer .....	20.....	1
26	GB850 .....	Taper Washer .....	20.....	1
27	GB6173 .....	Hex Nut .....	M20x1.5 .....	1

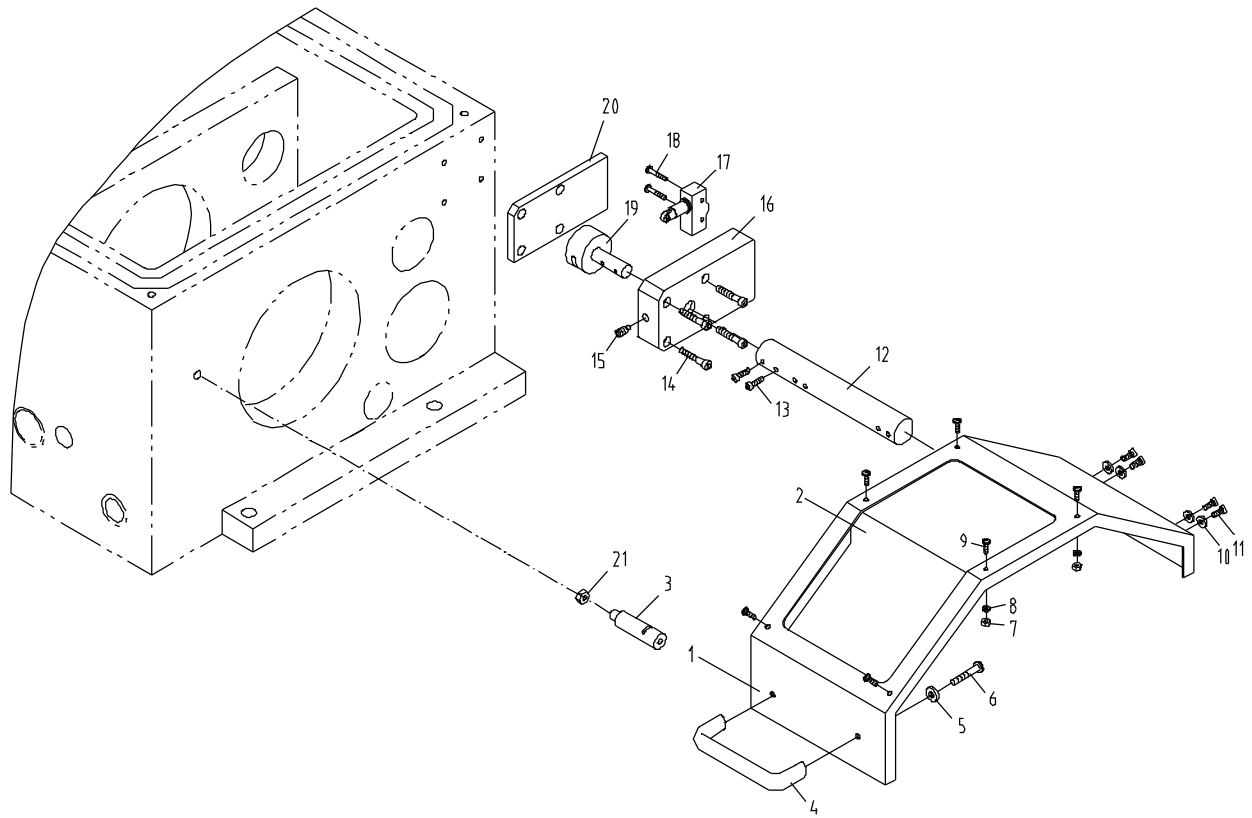
## Tailstock Assembly •



**Electrical Components**

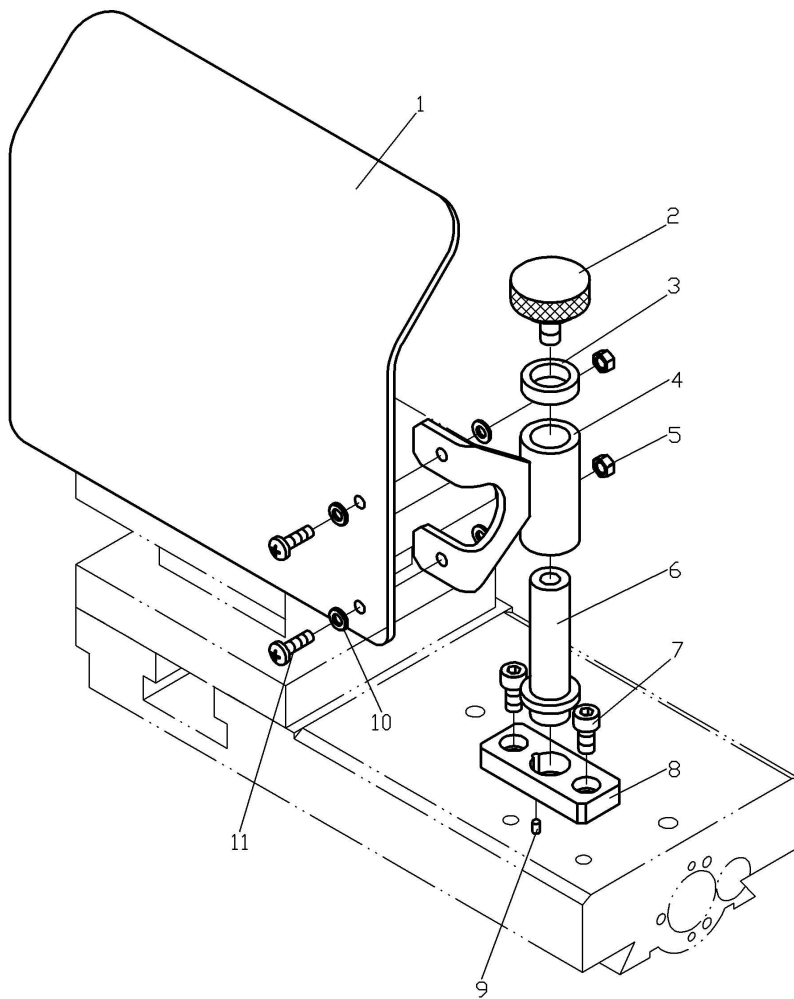


## Chuck Guard Assembly



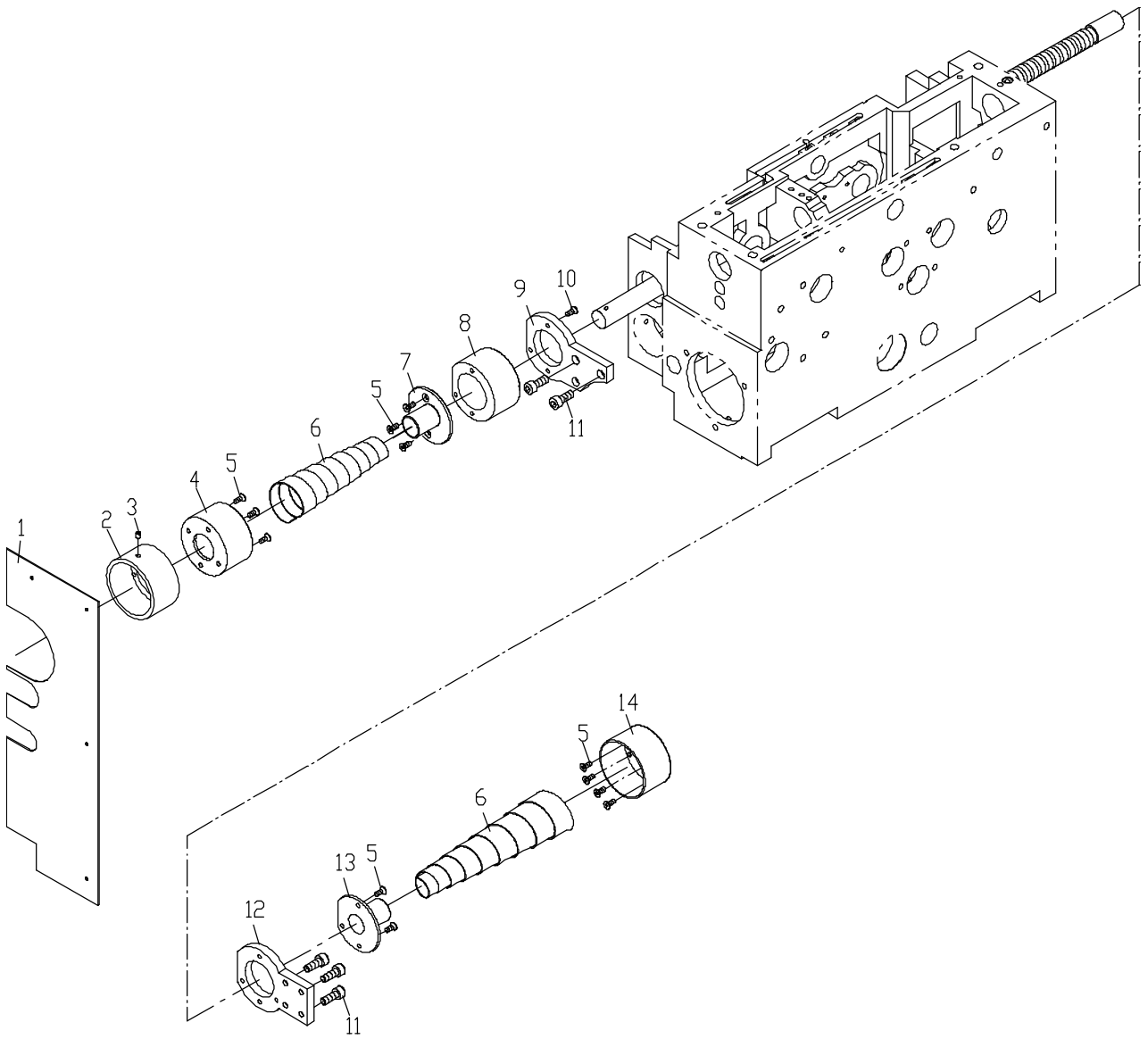
Index No.	Part No.	Description	Size	Qty.
1	C6266C-19701B	Protection guard		1
2	ZX-19501E	Protection guard visual glass		1
3	ZX-19704E	Fixing rod		1
4	ZX-S04E	Handle	Z96-6	1
5	ZX-S05E	Plain washers	6	2
6	ZX-S06E	Cross-recessed pan head screws	M6x12	2
7	ZX-S07E	Hexagon thin nuts	M4	6
8	ZX-S08E	Plain washers	4	6
9	ZX-S09E	Cross-recessed pan head screws	M4x12	6
10	ZX-S10E	Plain washers	5	4
11	ZX-S11E	Hexagon socket cap head screws	M5x16	4
12	ZX-19703E	Rest bar		1
13	ZX-S13E	Slotted set screws	M8x10	2
14	ZX-S14E	Hexagon socket cap head screws	M6x35	4
15	ZX-S15E	Hexagon socket set screws	M8x16	1
16	GH1440A-19101E	Switch box		1
17	ZX-S17E	Stroke switch	LXW5-11Q1	1
18	ZX-S18E	Slotted pan head screws	M4x25	2
19	ZX-19702E	Shaft		1
20	ZX-19502E	Washer		1
21	C6266C-CGA21	Nut	M8	1

### Tool Post Protection Device



Index No.	Part No.	Description	Size	Qty.
1.....	C6266C-20501.....	Shield.....		1
2.....	GH-1640ZX-20701.....	Clamping Screw.....		1
3.....	GH-1640ZX-20703.....	Washer.....		1
4.....	GH-1640ZX-20704.....	Sleeve.....		1
5.....	GB6170.....	Nut.....	M6.....	2
6.....	GH-1640ZX-20705-1....	Bracket.....		1
7.....	GB70.....	Hex Socket Cap Screw.....	M8x16.....	2
8.....	GH-1640ZX-20705-2....	Bracket.....		1
9.....	GB71.....	Slotted Set Screw.....	M4x8.....	1
10.....	GB97.....	Washer.....	6.....	4
11.....	GB818.....	Cross Recessed Pan Head Screw.....	M6x20.....	2

### Lead Screw Guard Assembly



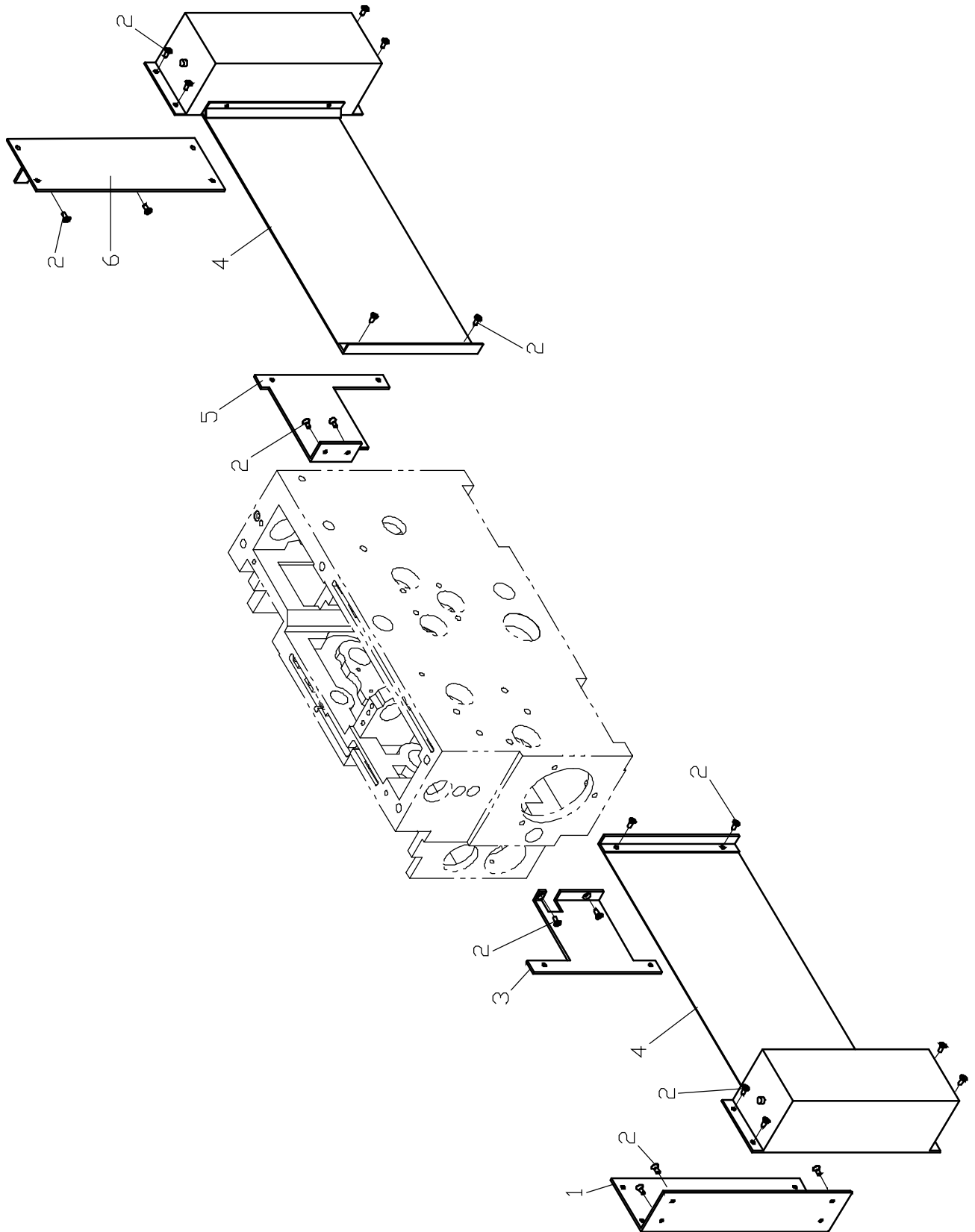
**Lead Screw Guard Assembly**



<b>Index No.</b>	<b>Part No.</b>	<b>Description</b>	<b>Size</b>	<b>Qty.</b>
1.....	C6266C-07704.....	Side Plate.....		1
2.....	C6266C-07701-1.....	Connect Sleeve .....		1
3.....	GB73 .....	Set Screw.....	M5x8 .....	1
4.....	1440R-07704 .....	Sleeve.....		1
5.....	GB819 .....	Cross Recessed Head Screw .....	M5x12 .....	13
6.....	LGB-45-1000-100 .....	Telescoping Sheet Cover (GH-2640ZH) .....		2
	LGB-45-2000-120 .....	Telescoping Sheet Cover (GH-2680ZH) .....		2
7.....	1440R-07702A.....	Flange .....		1
8.....	1440R-07706A.....	Sleeve .....		1
9.....	C6266C-07702A .....	Left Support.....		1
10.....	GB819 .....	Cross Recessed Head Screw .....	M5x18 .....	3
11 .....	GB70 .....	Hex Socket Cap Screw.....	M6x16 .....	7
12.....	C6266C-07703.....	Right Support.....		1
13.....	1440R-07702A.....	Flange .....		1
11 .....	1440R-07705A.....	Right Flange .....		1

### **Lead Screw Guard Assembly**

For GH-26120ZH



Lead Screw Guard Assembly

**For GH-26120ZH**

Index No.	Part No.	Description	Size	Qty.
1.....	C6266C-07705.....	Front Left Support.....		1
2.....	GB819 .....	Cross Recessed Head Screw .....	M4x6 .....	20
3.....	C6266C-07706.....	Front Right Support .....		1
4.....	C6266C-LSG004.....	Roll-up Cover.....	3000 .....	2
5.....	C6266C-07707.....	Back Left Support .....		1
6.....	C6266C-07708.....	Back Right Support.....		1