

PROMAC®

06-2017

**Metal Lathe
Metalldrehbank
Tour à métaux**

PBD-2555V



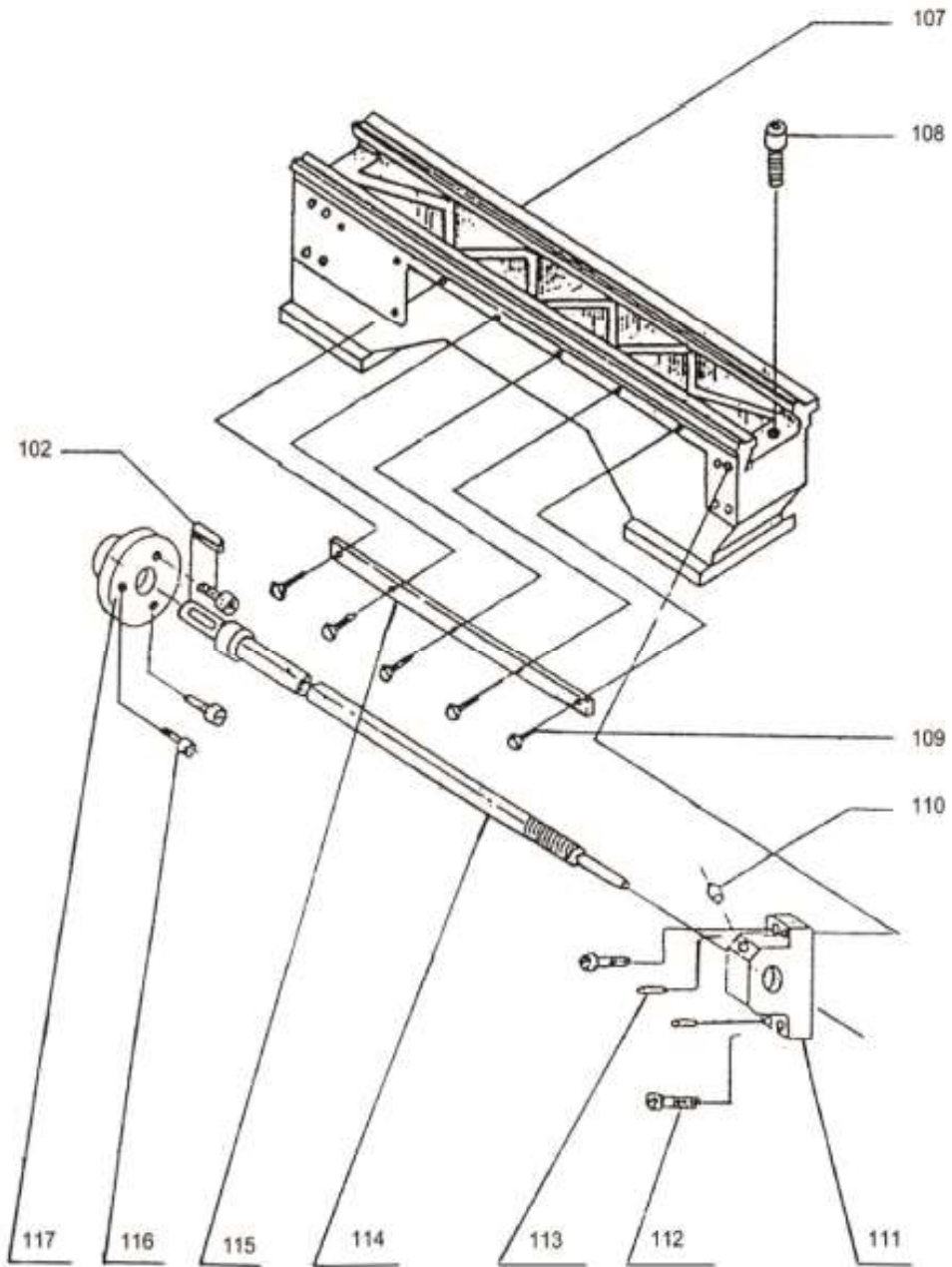
CE

Schweiz / Suisse
JPW (TOOL) AG
Tämperlistrasse 5
CH-8117 Fällanden Switzerland
www.promac.ch

France
TOOL France / PROMAC
57, rue du Bois Chaland, Z.I. du Bois Chaland
case postale 2935 FR-91029 Evry Cedex
www.promac.fr

15.0 Replacement Parts

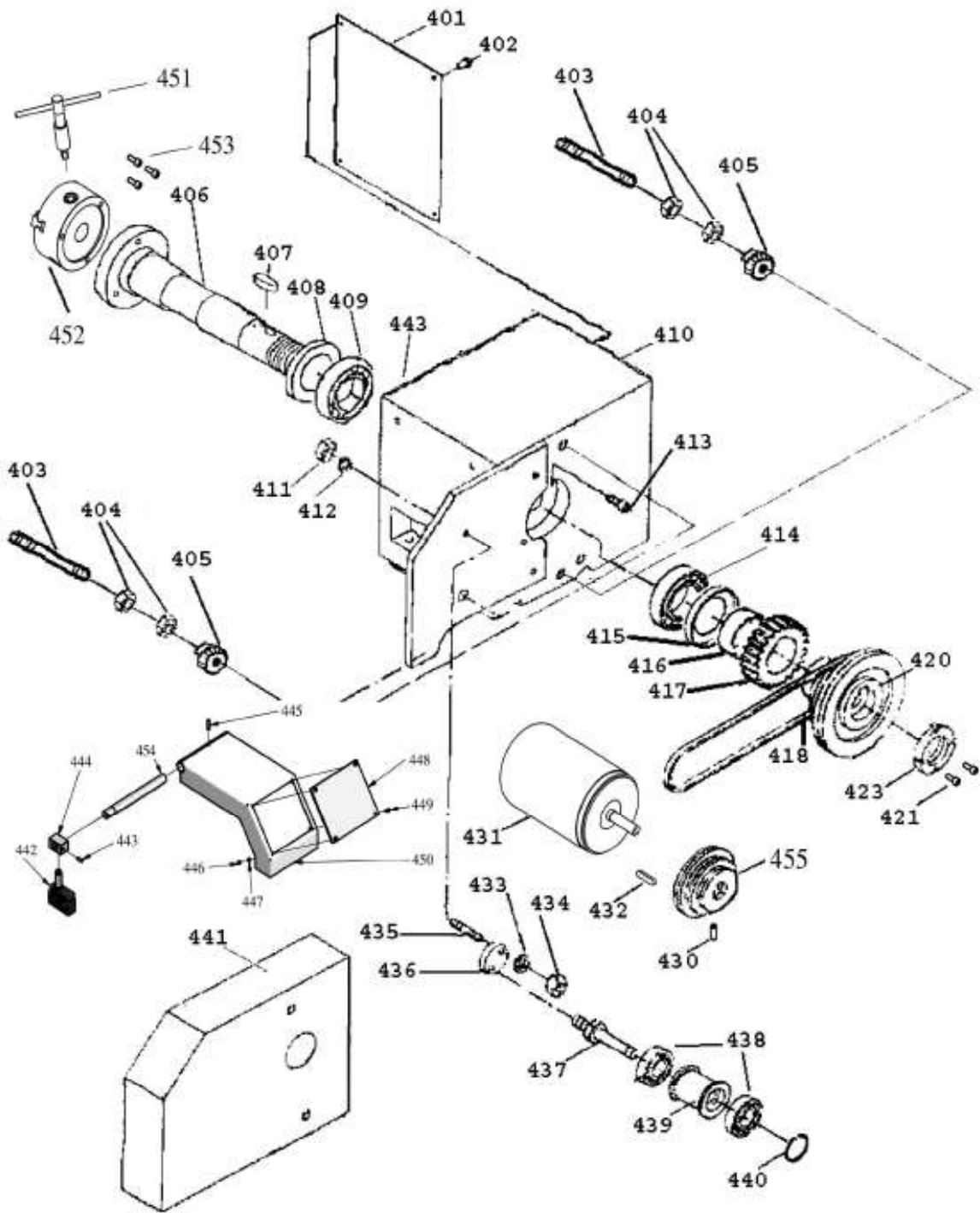
PBD-2555V Assembly Breakdown -1



PBD-2555V Parts List for Breakdown -1

Index No.	Part No.	Description	Size	Qty.
102	PBD2555V-1	FLAT KEY	4 x 12 mm	1
107	PBD2555V-1-107	LATHE BED		1
108	PBD2555V-2	HEXAGON SOCKET SCREW M8×12	M8×12	1
109	PBD2555V-3	HEXAGON SOCKET SCREW M5×12	M5×12	5
110	PBD2555V-4	BALL OILER	6	1
111	PBD2555V-1-111	RIGHT BEARING PEDESTAL		1
112	PBD2555V-5	HEXAGON SOCKET SCREW M6×16	M6×16	4
113	PBD2555V-6	FLAT KEY TAPER PIN 6×22	DIN6885	2
114	PBD2555V-1-114	LEADSCREW		1
115	PBD2555V-1-115	RACK		1
116	PBD2555V-7	HEXAGON SOCKET SCREW M4×16	M4×16	3
117	PBD2555V-1-117	ADJUSTING FLANGE		1

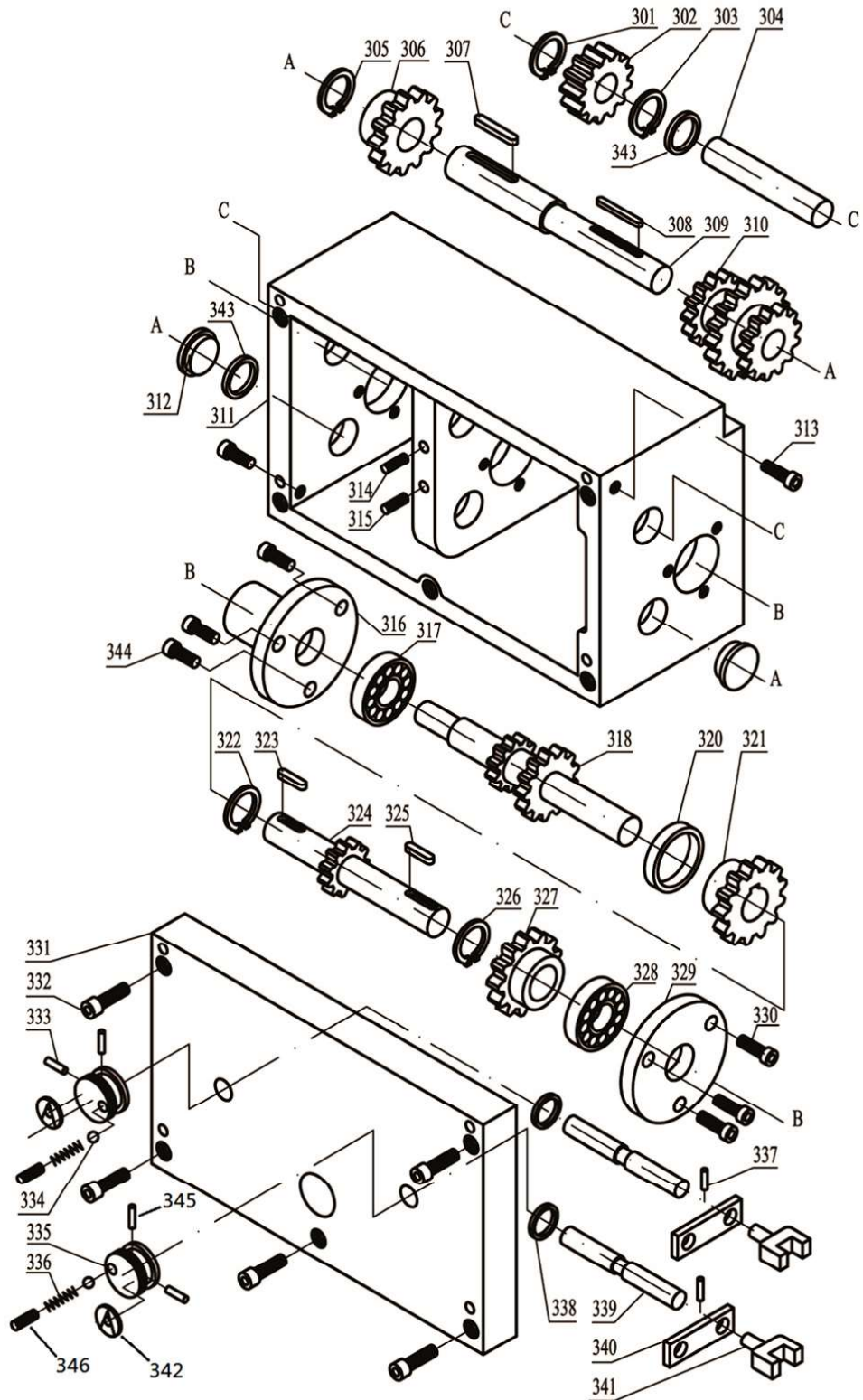
PBD-2555V Assembly Breakdown -2



PBD-2555V Parts List for Breakdown -2

Index No.	Part No.	Description	Size	Qty.
401	PBD2555V-2-401	CHARACTERISTICS PLATE		1
402	PBD2555V-8	FASTENING SCREW	M 4×10	6
403	PBD2555V-2-403	PROTECTIVE COVER OF THREADED ROD		2
404	PBD2555V-9	NUT	M10	4
405	PBD2555V-2-405	KNURL NUT		2
406	PBD2555V-2-406	WORK SPINDLE		1
407	PBD2555V-10	FEATHER KEY	8×45	1
408	PBD2555V-2-408	RING		1
409	PBD2555V-11	BEARING	32009	1
410	PBD2555V-2-410	HEADSTOCK		1
411	PBD2555V-12	NUT	M10	1
412	PBD2555V-13	WASHER	10	1
413	PBD2555V-14	HEXAGON SOCKET SCREW	M8×25	1
414	PBD2555V-15	BEARING	32009	1
415	PBD2555V-2-415	RING		1
416	PBD2555V-2-416	BUSH		1
417	PBD2555V-2-417	GEARWHEEL		1
418	PBD2555V-2-418	SHORT V-BELT	7M-730	1
420	PBD2555V-2-420	PULLEY COMBINATION WORK SPINDLE		1
421	PBD2555V-16	ALLEN SCREWS	M5×12	2
423	PBD2555V-17	SHAFT NUT (GROOVE NUT)		1
430	PBD2555V-18	THREADED PIN	ISO 4028-M6X10	1
431	PBD2555V-2-431	MOTOR	110ZYT59T1	1
432	PBD2555V-19	FLAT KEY	4 x 30 mm	1
433	PBD2555V-20	WASHER		1
434	PBD2555V-21	HEXAGONAL NUT M8	DIN439	1
435	PBD2555V-2-435	ALLEN SCREWS		1
436	PBD2555V-2-436	ECCENTRIC OF TEN-SION PULLEY		1
437	PBD2555V-2-437	SHAFT OF TENSION PULLEY		1
438	PBD2555V-22	BEARING 6001RZ	6001RZ	2
439	PBD2555V-2-439	TENSION PULLEY		1
440	PBD2555V-23	CIRCLIP		1
441	PBD2555V-2-441	HANGING WHEEL BOX COVER		1
442	PBD2555V-2-442	MICRO SWITCH		1
443	PBD2555V-24	HEXAGONAL CYLINDRICAL SIDE SCREW SET	M5×12	1
444	PBD2555V-2-444	SHAFT SLEEVE		1
445	PBD2555V-25	CYLINDRICAL PIN	3×20	1
446	PBD2555V-26	NUT	M4	4
447	PBD2555V-27	FLAT WASHER	Φ4	4
448	PBD2555V-2-448	PROTECTIVE GLASSES		1
449	PBD2555V-28	SOCKET HEAD CAP SCREW	M4×10	4
450	PBD2555V-2-450	CHUCK SHIELD		1
451	PBD2555V-2-451	KEY FOR 3 - JAW CHUCK	10mm	1
452	PBD2555V-2-452	THREE JAW CHUCK	K11-125	1
453	PBD2555V-29	HEXAGON SOCKET SCREW	M8X35	3
454	PBD2555V-2-454	CHUCK SHIELD SHAFT		1
455	PBD2555V-2-455	MOTOR PULLEY		1

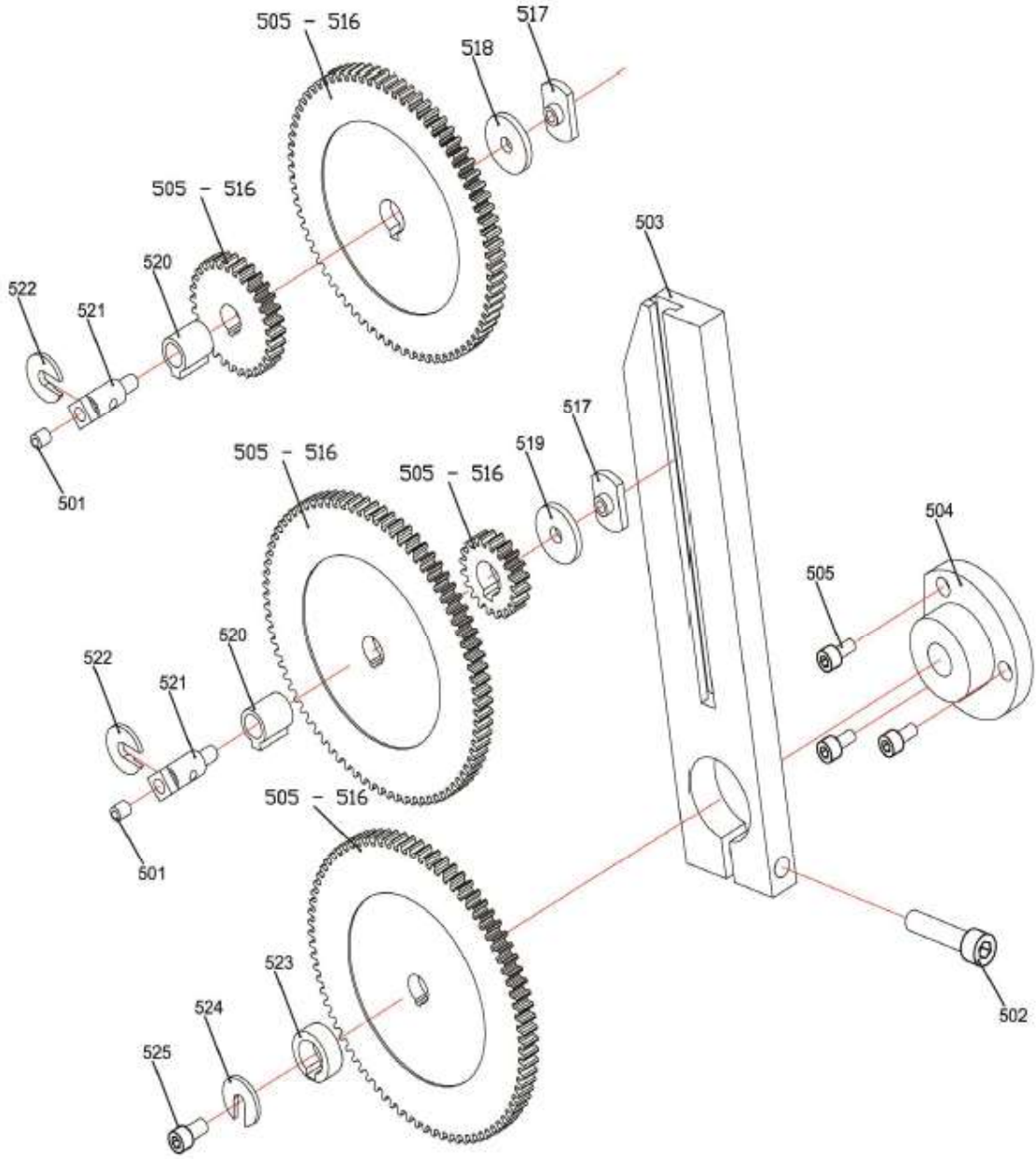
PBD-2555V Assembly Breakdown -3



PBD-2555V Parts List for Breakdown -3

Index No.	Part No.	Description	Size	Qty.
301	PBD2555V-30	LOCK WASHER	Φ12	1
302	PBD2555V-3-302	GEARWHEEL		1
303	PBD2555V-31	LOCK WASHER	Φ12	1
304	PBD2555V-3-304	SHAFT C		1
305	PBD2555V-3-305	CIRCLIP FOR SHAFT Φ16		1
306	PBD2555V-3-306	GEARWHEEL		1
307	PBD2555V-32	FEATHER KEY	4×30	1
308	PBD2555V-33	FEATHER KEY	4×60	1
309	PBD2555V-3-309	SHAFT A		1
310	PBD2555V-3-310	GEARWHEEL COMBINATION		1
311	PBD2555V-3-311	GEAR WHEEL BOX		1
312	PBD2555V-3-312	PLUG		2
313	PBD2555V-3-313	SET?SCREW ZG3/8	ZG 3/8	2
314	PBD2555V-34	HEXAGON SOCKET SCREW	M 6×10	1
315	PBD2555V-35	HEXAGON SOCKET SCREW	M 6×10	1
316	PBD2555V-3-316	FLANGE		1
317	PBD2555V-3-317	BEARING	180202	1
318	PBD2555V-3-318	GEARWHEEL		1
319	PBD2555V-3-319	SHAFT	1215	1
320	PBD2555V-3-320	SHAFT RING		1
321	PBD2555V-3-321	GEARWHEEL		1
322	PBD2555V-36	CIRCLIP	Φ15	1
323	PBD2555V-37	FEATHER KEY	4×14	1
324	PBD2555V-3-324	LONG-FACE PINION		1
325	PBD2555V-38	FEATHER KEY	4×10	1
326	PBD2555V-39	LOCK WASHER	Φ15	1
327	PBD2555V-3-327	GEARWHEEL		1
328	PBD2555V-3-328	BEARING	180202	1
329	PBD2555V-3-329	FLANGE COVER OF LEADSCREW		1
330	PBD2555V-40	HEXAGON SOCKET SCREW	M 6×12	3
331	PBD2555V-3-331	FRONT PLATE		1
332	PBD2555V-41	HEXAGON SOCKET SCREW M6X20	M6X20	5
333	PBD2555V-42	SPRING PIN, ISO8752	A5x30	2
334	PBD2555V-43	STEEL BALL	Φ5	2
335	PBD2555V-3-335	SELECTOR SWITCH		2
336	PBD2555V-44	SPRING	0, 8×45×11	2
337	PBD2555V-45	PIN	Φ5×20	2
338	PBD2555V-46	O-RING	1800710	2
339	PBD2555V-3-339	SHAFT		2
340	PBD2555V-3-340	PLATE		2
341	PBD2555V-3-341	GEAR FORK		2
342	PBD2555V-3-342	SELECTOR SWITCH MARKING		2
343	PBD2555V-3-343	RUBBER SEALING RING 14.0X2.65		2
344	PBD2555V-3-344	HEX SOCKET HEAD SCREW	M5X12	3
345	PBD2555V-3-345	HEXAGON SOCKET SCREW		1
346	PBD2555V-3-346	HEXAGON SOCKET SCREW		1

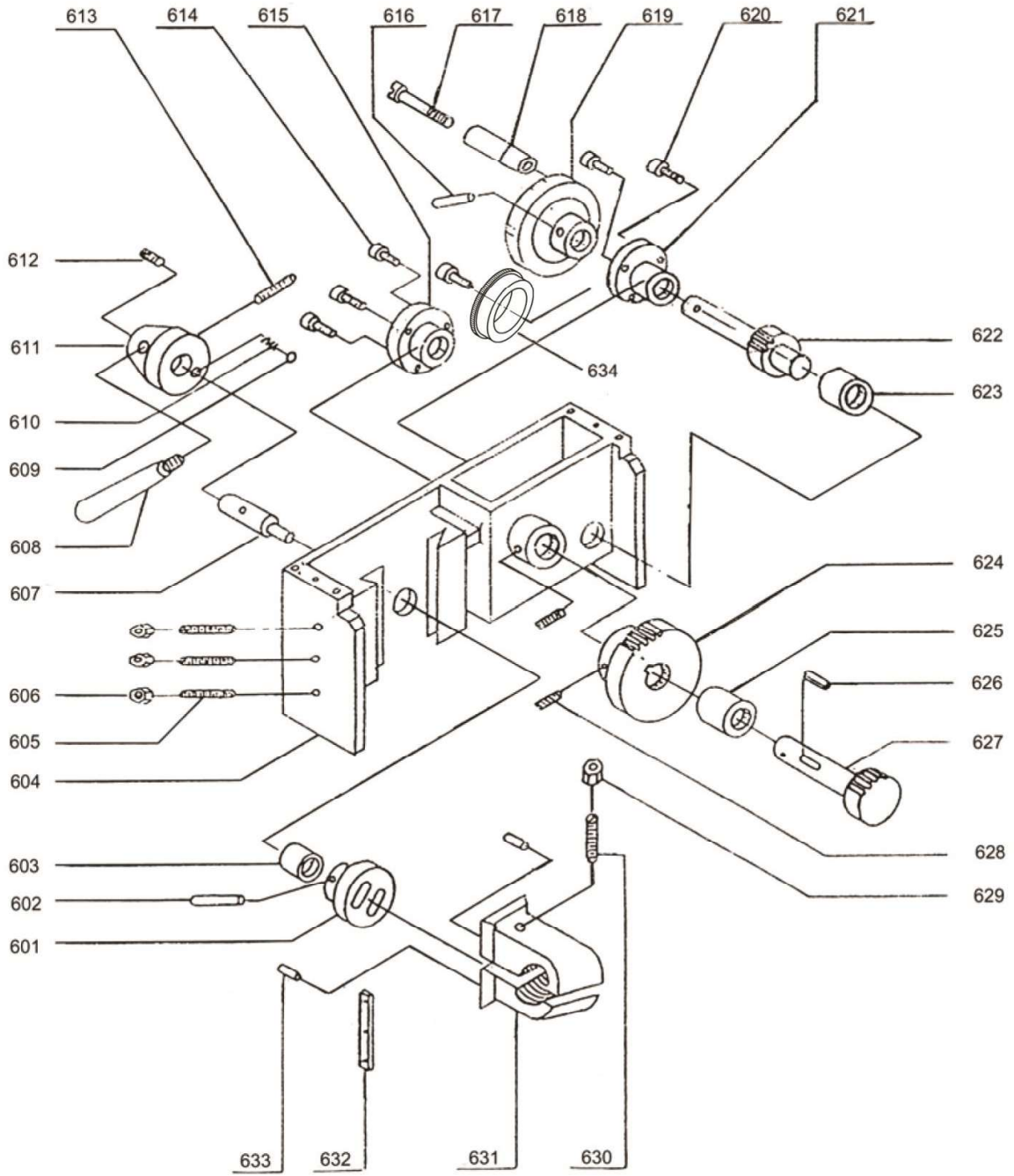
PBD-2555V Assembly Breakdown -4



PBD-2555V Parts List for Breakdown -4

Index No.	Part No.	Description	Size	Qty.
501	PBD2555V-47	OIL NIPPLE		2
502	PBD2555V-48	HEXAGONAL SOCKET HEAD SCREW DIN 912	M 8×35	1
503	PBD2555V-4-503	CHANGE GEAR RAIL		1
504	PBD2555V-4-504	BEARING PEDESTAL		1
505	PBD2555V-49	HEXAGONAL SOCKET HEAD SCREW DIN 912	M5×10	3
506	PBD2555V-4-506	GEAR Z85, Module 1,5		1
507	PBD2555V-4-507	GEAR Z80, Module 1,5		1
508	PBD2555V-4-508	GEAR Z75, Module 1,5		1
509	PBD2555V-4-509	GEAR Z70, Module 1,5		1
510	PBD2555V-4-510	GEAR Z65, Module 1,5		1
511	PBD2555V-4-511	GEAR Z60, Module 1,5		2
512	PBD2555V-4-512	GEAR Z50, Module 1,5		1
513	PBD2555V-4-513	GEAR Z45, Module 1,5		1
514	PBD2555V-4-514	GEAR Z30, Module 1,5		1
515	PBD2555V-4-515	GEAR Z25, Module 1,5		1
516	PBD2555V-4-516	GEAR Z20, Module 1,5		1
517	PBD2555V-4-517	T-NUT	M5	2
518	PBD2555V-4-518	SPACER	1,5mm	1
519	PBD2555V-4-519	SPACER	3mm	1
520	PBD2555V-4-520	BUSHING		2
521	PBD2555V-4-521	AXLE SHAFT		2
522	PBD2555V-4-522	C-WASHER		2
523	PBD2555V-4-523	COLLAR SPREADER		1
524	PBD2555V-4-524	C-WASHER		1
525	PBD2555V-50	HEXAGONAL SOCKET HEAD SCREW DIN 912	M6×10	1

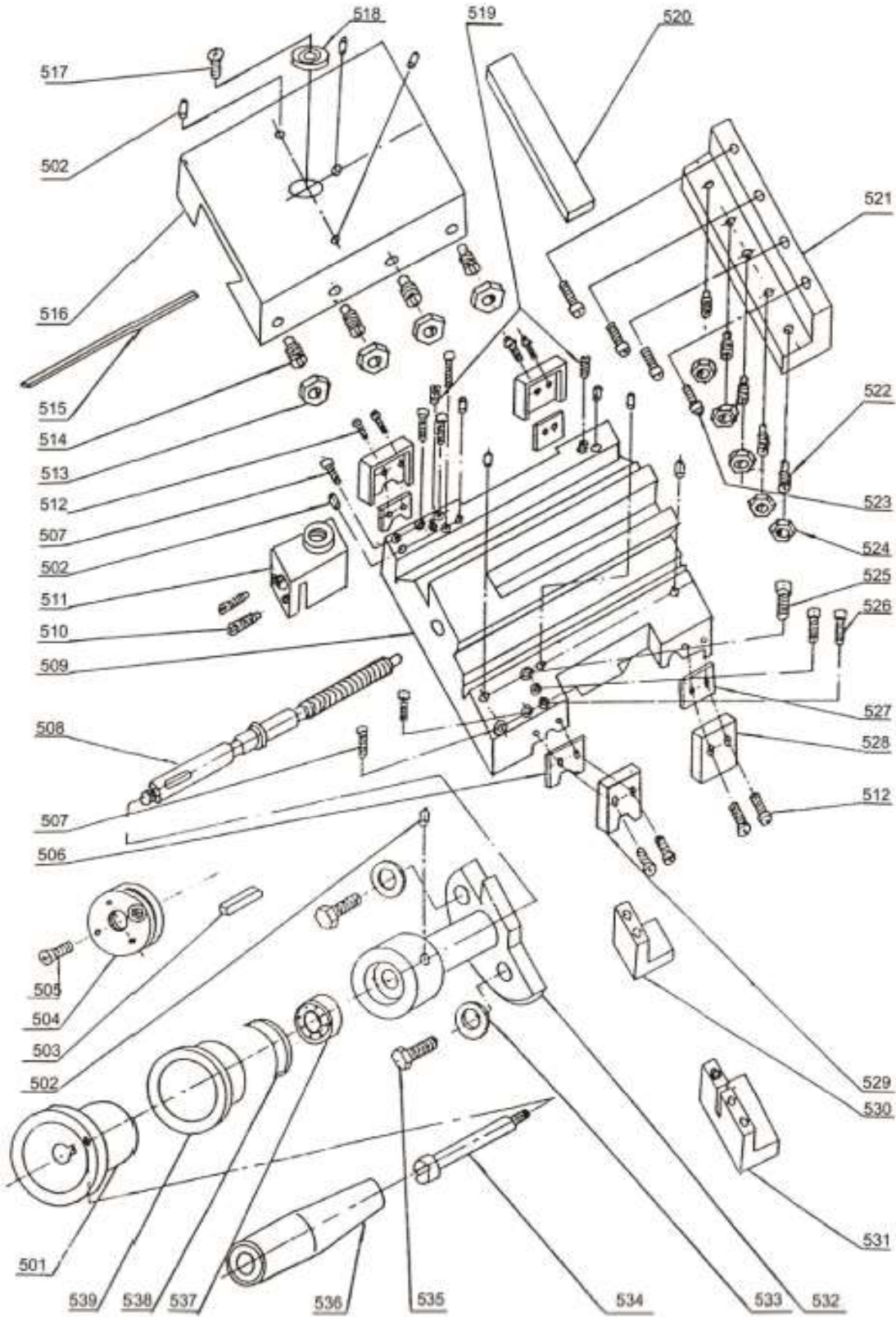
PBD-2555V Assembly Breakdown -5



PBD-2555V Parts List for Breakdown -5

Index No.	Part No.	Description	Size	Qty.
601	PBD2555V-5-601	ECCENTER		1
602	PBD2555V-51	TAPER PIN	3×20	1
603	PBD2555V-5-603	BUSH		1
604	PBD2555V-5-604	HOUSING		1
605	PBD2555V-52	HEXAGON SOCKET SCREW	M5X30	3
606	PBD2555V-53	NUT M5	DIN439	3
607	PBD2555V-5-607	SHAFT		1
608	PBD2555V-5-608	HANDLE		1
609	PBD2555V-54	STEEL BALL 5		1
610	PBD2555V-55	COMPRESSION SPRING	0.8×5×25	1
611	PBD2555V-5-611	ENGAGING HUB		1
612	PBD2555V-56	HEXAGON SOCKET SCREW	M6×10	1
613	PBD2555V-57	HEXAGON SOCKET SCREW	M4×8	3
614	PBD2555V-58	HEXAGON SOCKET SCREW	M4×8	3
615	PBD2555V-5-615	FLANGE PEDESTAL		1
616	PBD2555V-59	TAPER PIN	3×30	1
617	PBD2555V-5-617	HANDLE BAR		1
618	PBD2555V-5-618	HANDLE		1
619	PBD2555V-5-619	HANDWHEEL		1
620	PBD2555V-60	HEXAGON SOCKET SCREW	M4×8	3
621	PBD2555V-5-621	FLANGE PEDESTAL		1
622	PBD2555V-5-622	PINION SHAFT		1
623	PBD2555V-5-623	BUSH		1
624	PBD2555V-5-624	GEARWHEEL		1
625	PBD2555V-5-625	BUSH		1
626	PBD2555V-61	FLAT KEY	5 x 10 mm	1
627	PBD2555V-5-627	PINION SHAFT		1
628	PBD2555V-62	SCREW	M4×8	2
629	PBD2555V-63	NUT	M5	1
630	PBD2555V-64	HEXAGON SOCKET SCREW	M5×25	1
631	PBD2555V-5-631	LEADSCREW NUT (SET)		1
632	PBD2555V-5-632	GUIDE BEAD		1
633	PBD2555V-65	PINION PIN	5×20	2
634	PBD2555V-5-634	GRADUATED COLLAR		1

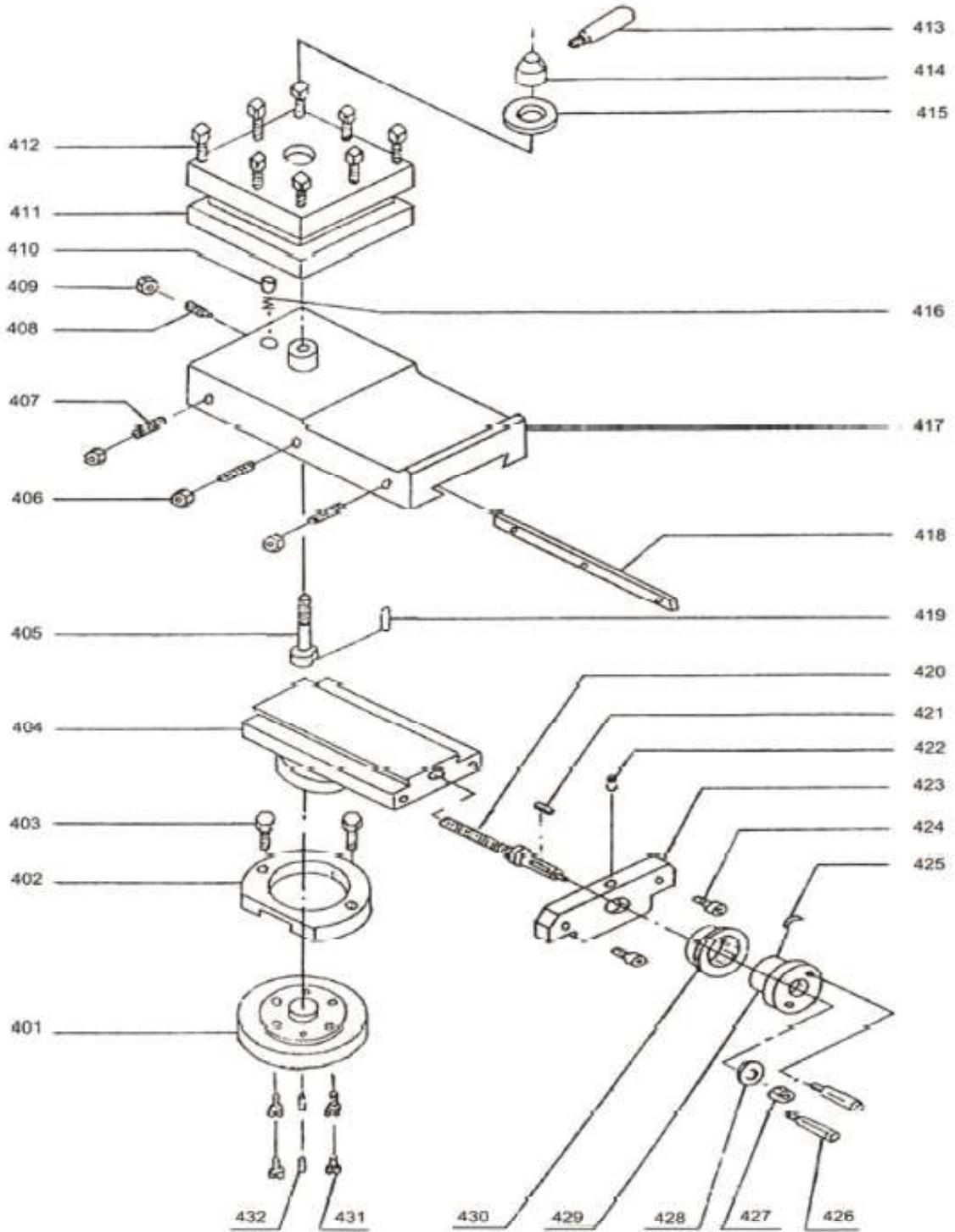
PBD-2555V Assembly Breakdown -6



PBD-2555V Parts List for Breakdown -6

Index No.	Part No.	Description	Size	Qty.
501	PBD2555V-6-501	HANDWHEEL		1
502	PBD2555V-66	BALL OILER	6	10
503	PBD2555V-67	FLAT KEY	4 x 12 mm	1
504	PBD2555V-6-504	ROUND NUT		1
505	PBD2555V-68	SCREW	M3×6	1
506	PBD2555V-6-506	SCRAPER		2
507	PBD2555V-69	HEXAGON SOCKET SCREW	M6×35	4
508	PBD2555V-6-508	CROSS SLIDE SPINDLE		1
509	PBD2555V-6-509	LATHE SADDLE		1
510	PBD2555V-70	HEXAGON SOCKET SCREW	M3×12	2
511	PBD2555V-6-511	SPINDLE NUT OF CROSS SLIDE		1
512	PBD2555V-71	SCREW		8
513	PBD2555V-72	NUT	M5	4
514	PBD2555V-73	HEXAGON SOCKET SCREW	M5×25	4
515	PBD2555V-6-515	GUIDE BEAD		1
516	PBD2555V-6-516	CROSS SLIDE		1
517	PBD2555V-74	HEXAGON SOCKET SCREW	M5×10	1
518	PBD2555V-6-518	WASHER		1
519	PBD2555V-75	HEXAGON SOCKET SCREW	M8×10	2
520	PBD2555V-6-520	GUIDE BEAD		1
521	PBD2555V-6-521	GUIDE RAIL		1
522	PBD2555V-76	HEXAGON SOCKET SCREW	M4×16	5
523	PBD2555V-77	HEXAGON SOCKET SCREW	M5×16	4
524	PBD2555V-78	NUT	M4	5
525	PBD2555V-79	SCREW	M8×20	1
526	PBD2555V-80	SCREW	M5x20	4
527	PBD2555V-6-527	SCRAPER		2
528	PBD2555V-6-528	METAL REINFORCEMENT		2
529	PBD2555V-6-529	METAL REINFORCEMENT		2
530	PBD2555V-6-530	FRONT SAFETY BLOCK		1
531	PBD2555V-6-531	SAFETY BLOCK		1
532	PBD2555V-6-532	GUIDE BEARING		1
533	PBD2555V-81	WASHER	8	2
534	PBD2555V-6-534	HAND SCREW		1
535	PBD2555V-82	SCREW	M6×20	2
536	PBD2555V-6-536	HANDLE		1
537	PBD2555V-6-537	ROLLING BEARING	51101	1
538	PBD2555V-83	SINOUS SPRING		1
539	PBD2555V-6-539	GRADUATED COLLAR		1

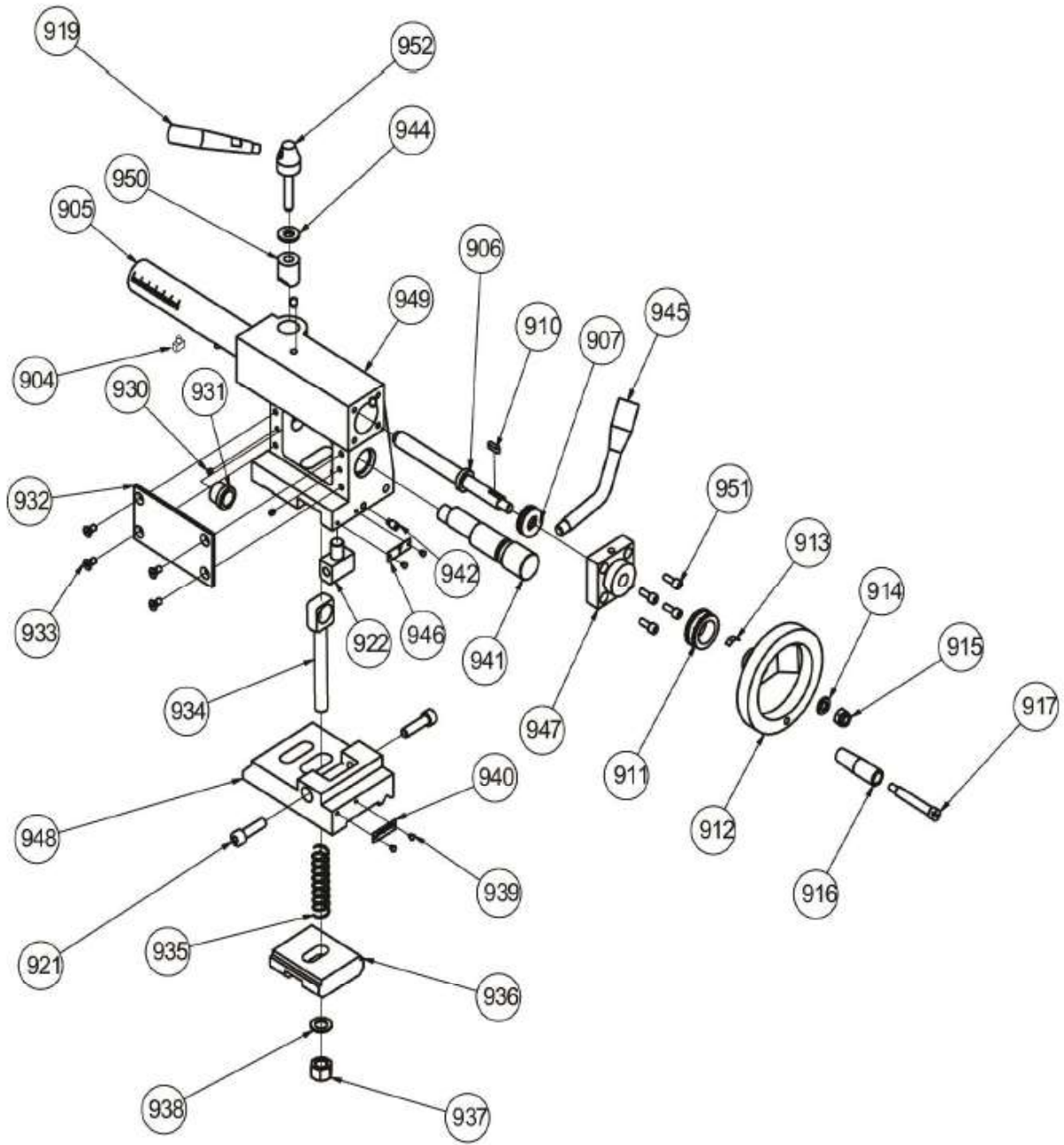
PBD-2555V Assembly Breakdown -7



PBD-2555V Parts List for Breakdown -7

Index No.	Part No.	Description	Size	Qty.
401	PBD2555V-7-401	GRADUATED DIAL		1
402	PBD2555V-7-402	INTERMEDIATE FLANGE		1
403	PBD2555V-84	HEXAGON SOCKET SCREW	M8×20	2
404	PBD2555V-7-404	SLIDE GUIDE WAY		1
405	PBD2555V-7-405	STRAINING SCREW		1
406	PBD2555V-85	NUT M4		3
407	PBD2555V-86	HEXAGON SOCKET SCREW	M4×40	3
408	PBD2555V-87	HEXAGON SOCKET SCREW	M4×12	1
409	PBD2555V-88	NUT	M4	1
410	PBD2555V-7-410	POSITIONING PIN		1
411	PBD2555V-7-411	LATHE TOOL HOLDER		1
412	PBD2555V-89	SQUARE-HEAD BOLT	M8×25	8
413	PBD2555V-7-413	HANDLE		1
414	PBD2555V-7-414	CLAMPING PIECE		1
415	PBD2555V-7-415	WASHER		1
416	PBD2555V-7-416	COMPRESSION SPRING	0.8X4X15	1
417	PBD2555V-7-417	TOP SLIDE		1
418	PBD2555V-7-418	GUIDE BEAD		1
419	PBD2555V-90	PARALLEL PIN	3×10	1
420	PBD2555V-7-420	TOP SLIDE SPINDLE		1
421	PBD2555V-91	FLAT KEY	3 x 12 mm	1
422	PBD2555V-92	BALL OILER	.6	1
423	PBD2555V-7-423	BEARING PEDESTAL		1
424	PBD2555V-93	HEXAGON SOCKET SCREW	M4×16	2
425	PBD2555V-94	SINOUS SPRING		1
426	PBD2555V-7-426	HANDLE		2
427	PBD2555V-95	NUT	M8	1
428	PBD2555V-96	WASHER	.8	1
429	PBD2555V-7-429	HANDWHEEL		1
430	PBD2555V-7-430	GRADUATED COLLAR		1
431	PBD2555V-97	HEXAGON SOCKET SCREW	M6×16	4
432	PBD2555V-98	PARALLEL PIN	4×16	2

PBD-2555V Assembly Breakdown -8

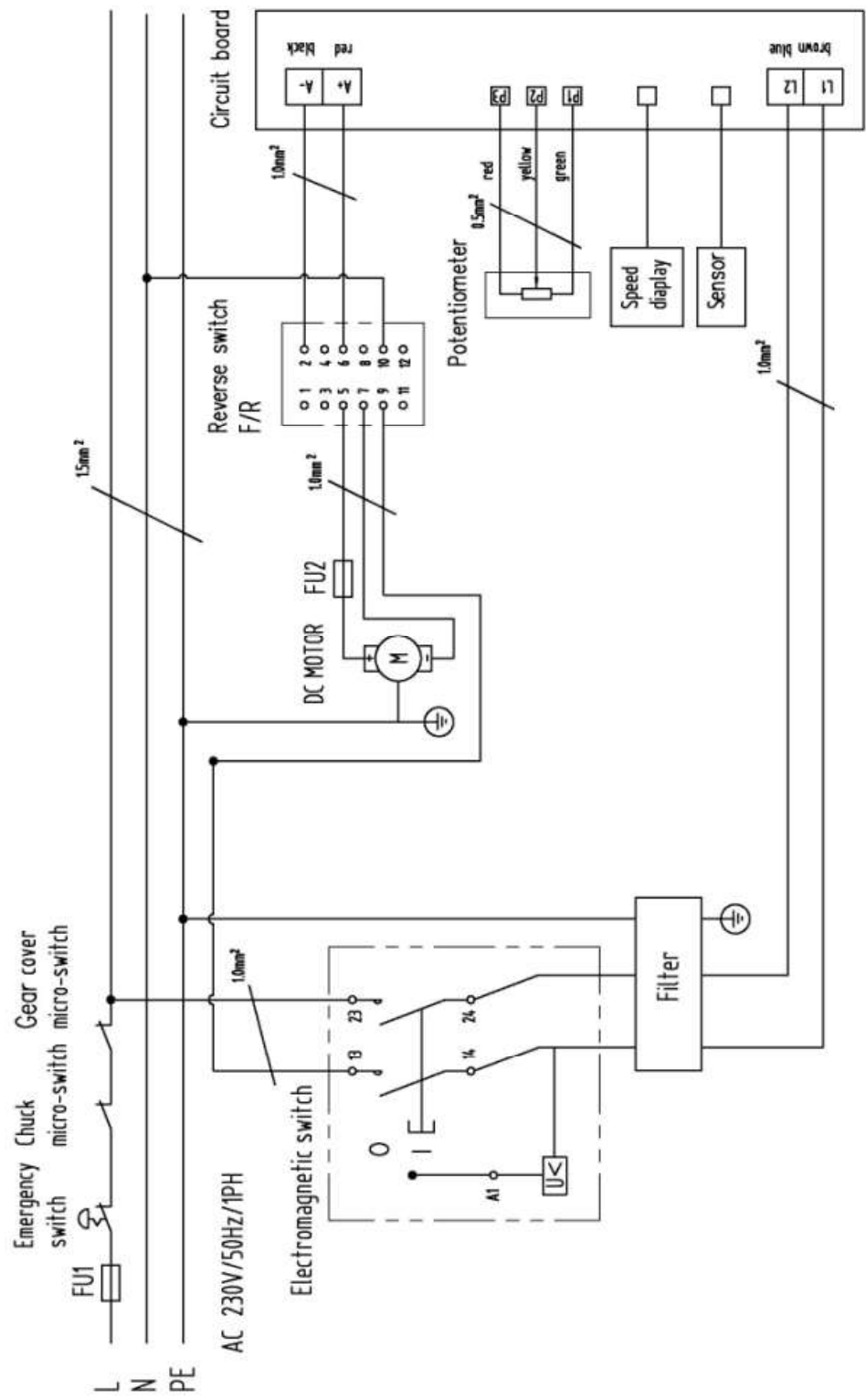


PBD-2555V Parts List for Breakdown -8

Index No.	Part No.	Description	Size	Qty.
904	PBD2555V-8-904	PIECE OF CENTERING OF SPINDLE SLEEVE		1
905	PBD2555V-8-905	SPINDLE SLEEVE		1
906	PBD2555V-8-906	SPINDLE		1
907	PBD2555V-8-907	AXIALLY GROOVED BALL BEARING	51101	1
910	PBD2555V-99	FLAT KEY	4 x 14 mm	1
911	PBD2555V-8-911	SCALES RING		1
912	PBD2555V-8-912	HAND WHEEL		1
913	PBD2555V-100	SPRING PLATE		1
914	PBD2555V-101	WASHER	ISO 7090 - 8	1
915	PBD2555V-102	HEXAGON NUT	DIN 6924 -M8	1
916	PBD2555V-8-916	CASE FOR HANDLE		1
917	PBD2555V-8-917	FIXING BOLT FOR CASE		1
919	PBD2555V-8-919	CLAMPING LEVER		1
921	PBD2555V-103	SOCKET HEAD SCREW	GB 70-85 - M8 x 30	2
922	PBD2555V-8-922	PIECE OF CENTERING OF SPINDLE SLEEVE		1
930	PBD2555V-104	THREADED PIN	ISO 4028 - M4 x 5	1
931	PBD2555V-8-931	GUIDE BUSH		1
932	PBD2555V-8-932	COVER		1
933	PBD2555V-105	COUNTERSUNK SCREW	ISO 2009 - M5 x 10	4
934	PBD2555V-8-934	TIGHTENING SCREW		1
935	PBD2555V-8-935	SPRING	1.2 x 13.2 x 40 mm	1
936	PBD2555V-8-936	CLAMPING PLATE		1
937	PBD2555V-106	HEXAGON NUT	ISO 4035 -M12	1
938	PBD2555V-107	WASHER		1
939	PBD2555V-108	RIVET		4
940	PBD2555V-8-940	SCALE		1
941	PBD2555V-8-941	ECCENTRIC CAM		1
942	PBD2555V-109	THREADED PIN	ISO 4028 -M6 x 12	1
944	PBD2555V-8-944	WASHER		1
945	PBD2555V-8-945	CLAMPING LEVER		1
946	PBD2555V-8-946	SCALE		1
947	PBD2555V-8-947	SADDLE		1
948	PBD2555V-8-948	BASE PLATE TAILSTOCK		1
949	PBD2555V-8-949	TAILSTOCK UPPER SECTION		1
950	PBD2555V-8-950	CLAMPING PART COLLAR		1
951	PBD2555V-110	SOCKET HEAD SCREW	GB 70-85 -M5 x 14	4
952	PBD2555V-8-952	HEAD CLAMPING LEVER		1

16.0 Wiring Diagrams

PBD-2555V1~230V, PE, 50Hz



PBD-2555V Electrical Parts List

Designation	Model	Quantity	Note
Electromagnetic switch	KJD17GF	1	
Reverse Switch F/R	ZH-A	1	
EMC Filter		1	
Emergency stop	ZB2-BE102C	1	
Circuit board		1	
Potentiometer	WX14-12 4K7	1	
Speed display and sensor	JD011 5V	1	
DC Motor		1	
FU1 , FU2		2	
Gear Guard Switch	QKS8	1	
Chuck Guard Switch	LXW5-11Q1	1	