



**GH-1440K METAL LATHE**

**GH-1440K-T  
400/50/3**

**PARTS LIST**



---

Schweiz / Suisse  
**JPW (TOOL) AG**  
Ackerstrasse 45,  
CH-8610 Uster, Switzerland  
[www.promac.ch](http://www.promac.ch)

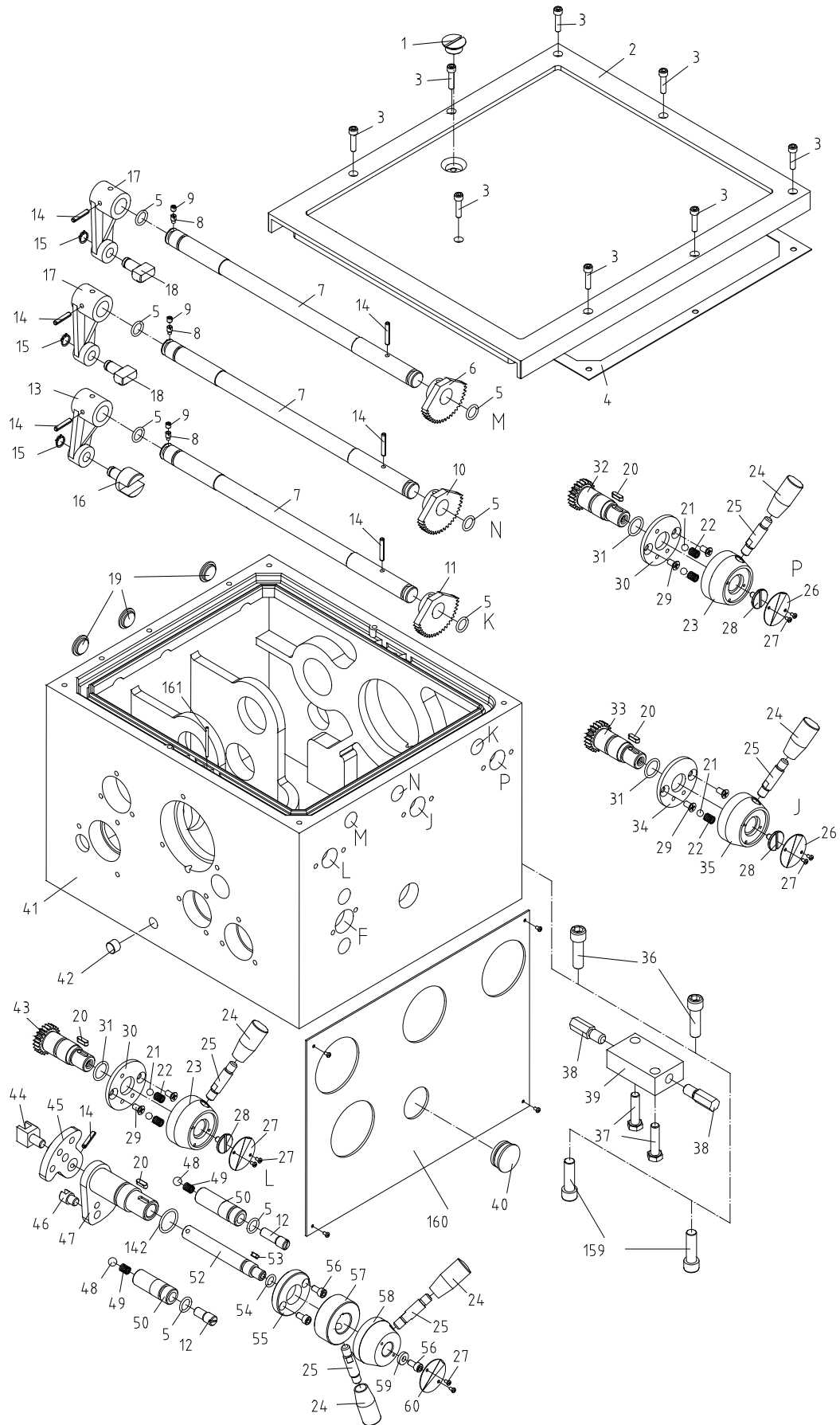
France  
**TOOL FRANCE SARL**  
9 Rue des Pyrénées,  
91090 LISSES, France  
[www.promac.fr](http://www.promac.fr)

2019-10

## Table of Contents

Table of Contents.....	1
Headstock Assembly I .....	2-4
Headstock AssemblyII .....	5-6
Headstock AssemblyIII .....	7-8
Gearbox Assembly I.....	9-11
Gearbox Assembly II.....	12-14
Apron Assembly I.....	15-16
Apron Assembly II .....	17-18
Saddle and Cross Slide Assembly.....	19-21
Top Slide and Tool Post.....	22-23
Tailstock Assembly .....	24-25
Bed and Shaft Assembly.....	26-28
Stand and Brake Assembly.....	29-30
End Gear Assembly .....	31-32
Follow Rest .....	33
Thread Dial Assembly.....	34
Steady Rest.....	35-36
Coolant and Work Light Assembly.....	37
Chuck Guard Assembly .....	38
Lead Screw Cover Assembly.....	39
Tool Post Guard.....	40
AccessoriesI.....	41-42
AccessoriesII.....	43
Electrical Components .....	44
Wiring Diagram .....	45

# Headstock Assembly I

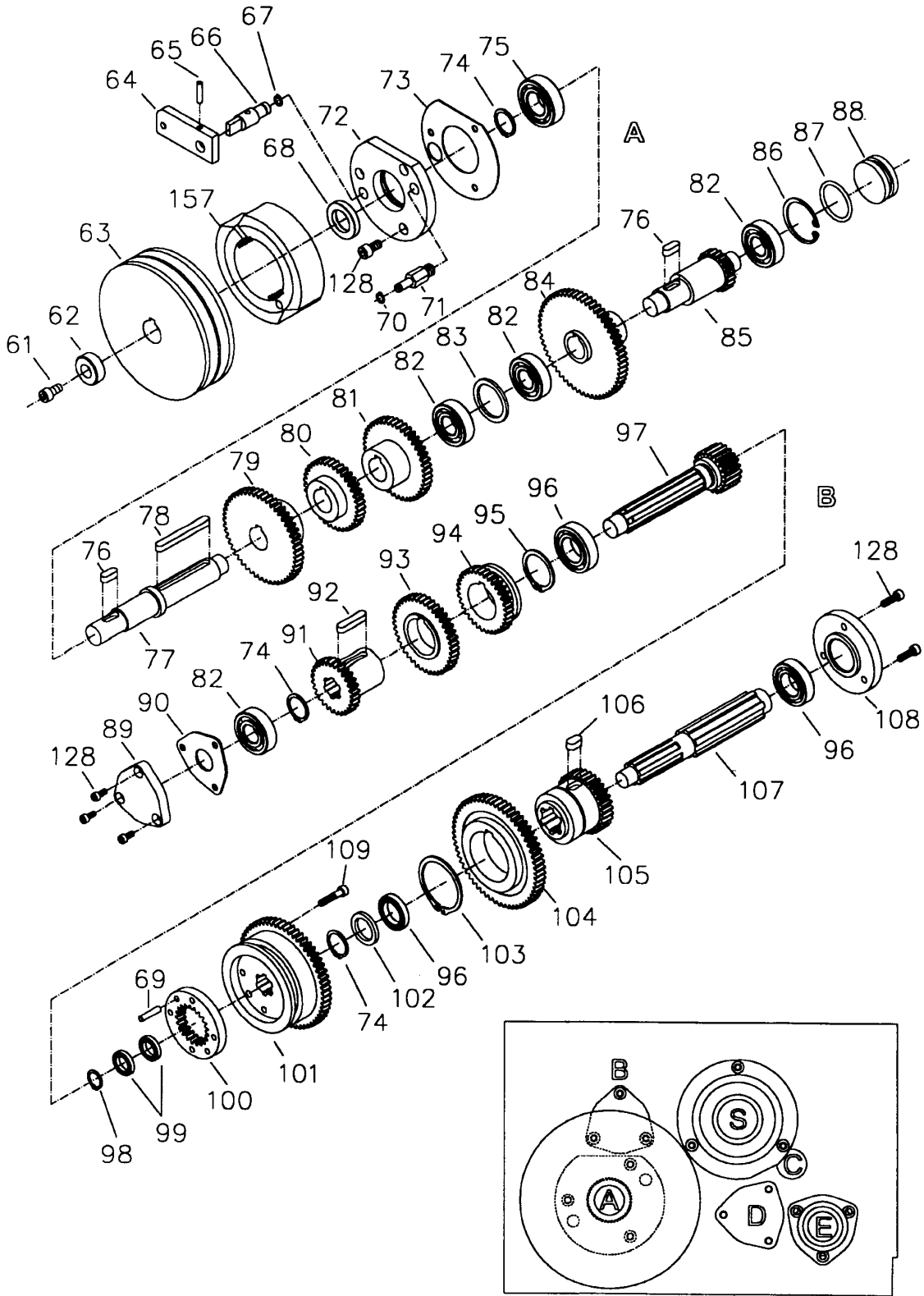


## Headstock Assembly I

Index No.	Part No.	Description	Size	Quantity
1	C6136-02755	Plug		1
2	GH1440K-02119-G	Headstock Cover		1
3	TS-1503081	Hex Socket Cap Screw	M6x25	8
4	GH1440K-02509	Gasket		1
5	GB3452.1-14x2.65	O-Ring	14x2.65	8
6	GH1440-04-38	Gear	38T	1
7	GH1440K-02749	Shaft		3
8	TS-1523031	Set Screw	M6x10	3
9	TS-1523011	Set Screw	M6x6	3
10	GH1440-04-37	Gear	48T	1
11	GH1440-04-36	Gear	43T	1
12	GH1440K-02754	Set Screw		1
13	GH1440-04-43	Shift Arm		1
14	GB879-86-5x30	Spring Pin	5x30	7
15	GB894.2-86-12	Retainer Ring	12	3
16	GH1440-04-45	Shift Fork		1
17	GH1440-04-35	Shift Arm		2
18	GH1440-04-44	Gear Shifter		2
19	GH1440K-02748A	Plug		3
20	GB1096-79-5x16	Key	5x16	4
21	GB308-84-Ø8	Steel Ball	8	5
22	C6240-20018-0.9x8x26	Spring	0.9x8x26	5
23	GH1440-04-49	Handle Body		2
24	GB4141.14-BM10x50	Knob	BM10x50	5
25	GH1440-04-34	Handle Lever		5
26	GH-1440K02303-2	Lever Name Plate		4
27	GB818- M3x5	Pan Head Screw	M3x5	4
28	GH1440K-02752	Screw		3
29	TS-1503031	Screw	M6x12	6
30	GH1440-04-50	Position Plate		2
31	GB3452.9-86-19x2.65	O-Ring	19x2.65	3
32	GH1440-04-40	Gear Shaft	22T	1
33	GH1440-04-42	Gear Shaft	17T	1
34	GH1440-04-51	Position Plate		1
35	GH1440-04-58	Handle Body		1
36	TS-1506041	Hex Socket Cap Screw	M12x40	2
37	TS-1491061	Hex Bolt	M10x40	2
38	GH1440K-04-62	Alignment Bolt		2
39	GH1440K-04-63	Alignment Block		1
40	GB1160.1-89-20	Oil Sight Glass	20	1
41	GH1440K-02101-G	Headstock Casting		1
42	05-75	Drain Plug	Z 1/4 "	1
43	GH1440-04-39	Gear Shaft	27T	1
44	GH1440-04-47	Shaft Fork		1
45	GH1440-04-36	Shifting Crank		1
46	GH1440-04-71	Shaft Fork		1
47	GH1440K-02117	Shifting Crank		1
48	GB308-89-Ø10	Steel Ball	10	2
49	GB2089-0.9x9x40	Spring	0.9x9x40	2
50	GH1440K-02753	Shaft		1
51	GH1440K-02755	Shaft		1
52	GH1440K-02747	Shaft		1
53	GB1096-79-4x10	Key	4x10	1
54	GB3452.9-86-10.6x2.65	O-Ring	10.6x2.65	1
55	GH1440-04-55	Collar		1
56	TS-1503031	Hex Socket Cap Screw	M6x12	3

57	GH1440K-04-57	Collar	1
58	GH1440K-04-58	Handle Body	1
59	04-62	Washer	1
60	GH1440K-02756	Set Screw	1
142	GB3452.9-82-25x2.65	O-Ring	25x2.65 3
159	TS-1506041	Hex Socket Cap Screw	M12x35 2
160	GH-1440K02304A-54	Name Plate	1
160A	GB70.2-M3x6	Hex Socket Button Head Screw	M3x6 4
161	GH1440K-02760J	Copper Pipe	Φ6 1

# Headstock Assembly II

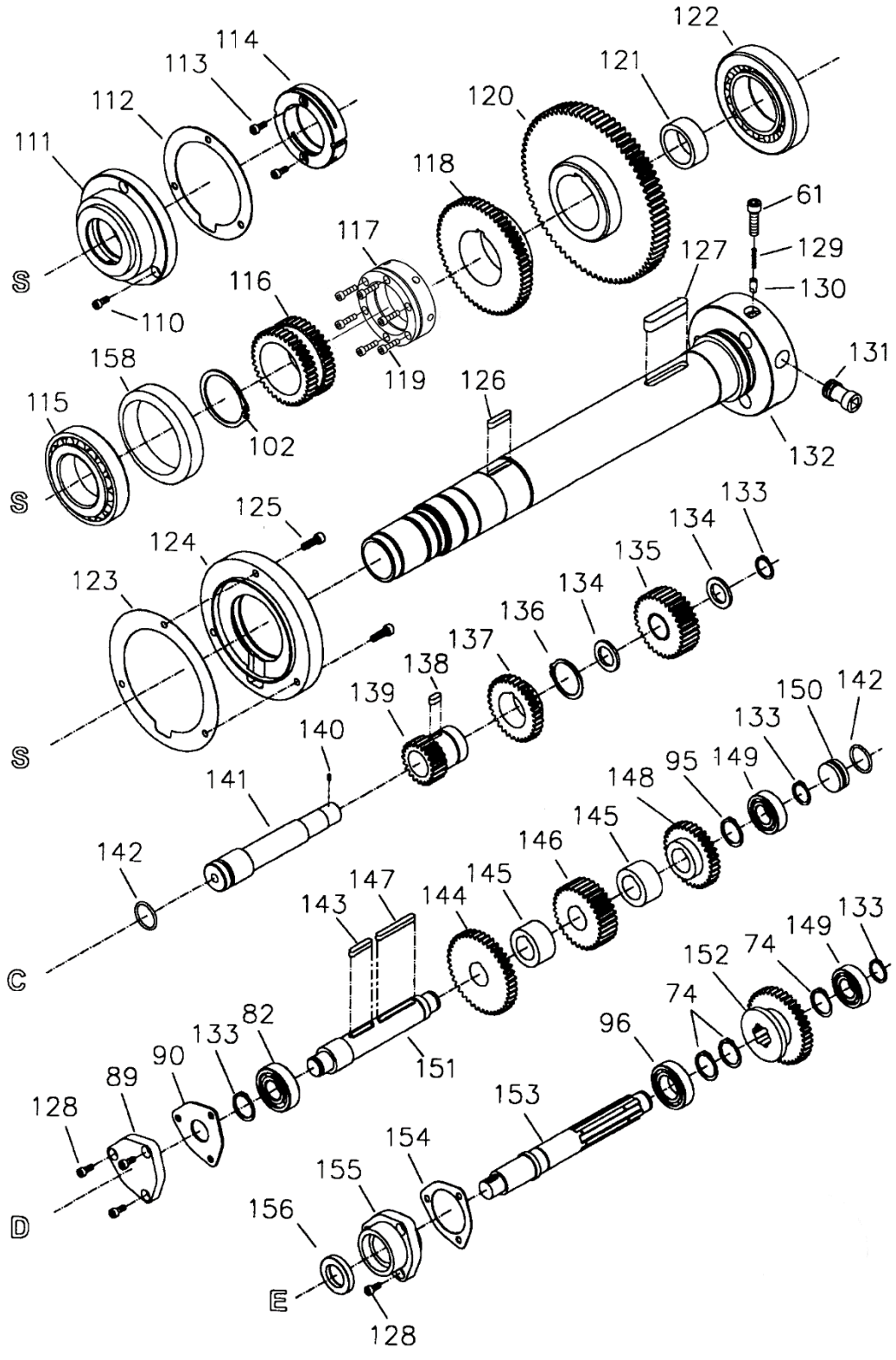


## Headstock Assembly II

### IndexPart

No.	No.Description	Size	Quantity
61	TS-1504031	Hex Socket HdCap Screw	M8x16
62	04-12	Washer	
63	04-11	Pulley	
64	GH1440K-02722	Brake Block	
65	5625391	Spring Pin	5x16 mm
66	11-09	Brake Actuator Shaft	
67	F006041	C-Retaining Ring, Ext	12 mm
68	GH1440K-H68	Spacer	SD25x45x7
69	GHW-H69	Taper Pin	A6x26 mm
70	F006039	C-Retaining Ring, Ext	8 mm
71	11-11	Brake Retaining Stud	
72	04-13	Cover	
73	04-14	Gasket	
74	F006050	C-Retaining Ring, Ext	25 mm
75	BB-6205	Ball Bearing	6205/p5
76	AK052	Key, Dbl Rd Hd	8x20 mm
77	GH1440K-02718	Shaft	
78	GHW-H78	Key	8x72 mm
79	GH1440-04-04	Gear	50T
80	GH1440-04-05	Gear	37T
81	GH1440-04-06	Gear	43T
82	BB-6204	Ball Bearing	6204/p5
83	GH1440-04-17	Washer	
84	GH1440-04-12	Gear	57T
85	GH1440-04-11	Gear Shaft	20T
86	F006075	C-Retaining Ring, Int	47 mm
87	GH1440K-287	O-Ring	40x2.65
88	GH1440K-02106	Plug	
89	04-53	Bearing Cap	
90	04-52	Gasket	
91	GH1440-04-08	Gear	28T
92	GHW-H92	Key, Dbl Rd Hd	8x38 mm
93	GH1440-04-09	Gear	41T
94	GH1440-04-10	Gear	34T
95	F006055	C-Retaining Ring, Ext	40 mm
96	BB-6005	Ball Bearing	6005/p5
97	GH1440K-02724	Gear Shaft	21T
98	F006045	C-Retaining Ring, Ext	17 mm
99	BB-61803	Ball Bearing	61803/p5
100	GH1440-04-15	Gear	21T
101	GH1440-04-14	Gear	58T
102	GH1440K-02709	Washer	
103	F006082	C-Retaining Ring, Ext	55 mm
104	GH1440-04-19	Gear	59T
105	GH1440-04-18	Gear	31T
106	GB1096-10x18	Key, Dbl Rd Hd	10x18 mm
107	GH1440-04-13	Spline Shaft	
108	GH1440-04-24	Cover	
109	TS-1503081	Hex Socket HdCap Screw	M6x35
128	JHM610-22	Hex Socket HdCap Screw	M6x14
157	11-15	Brake Shoe Assembly	
	GH1440K01106J	Triangular Belt	A1880

# Headstock Assembly III



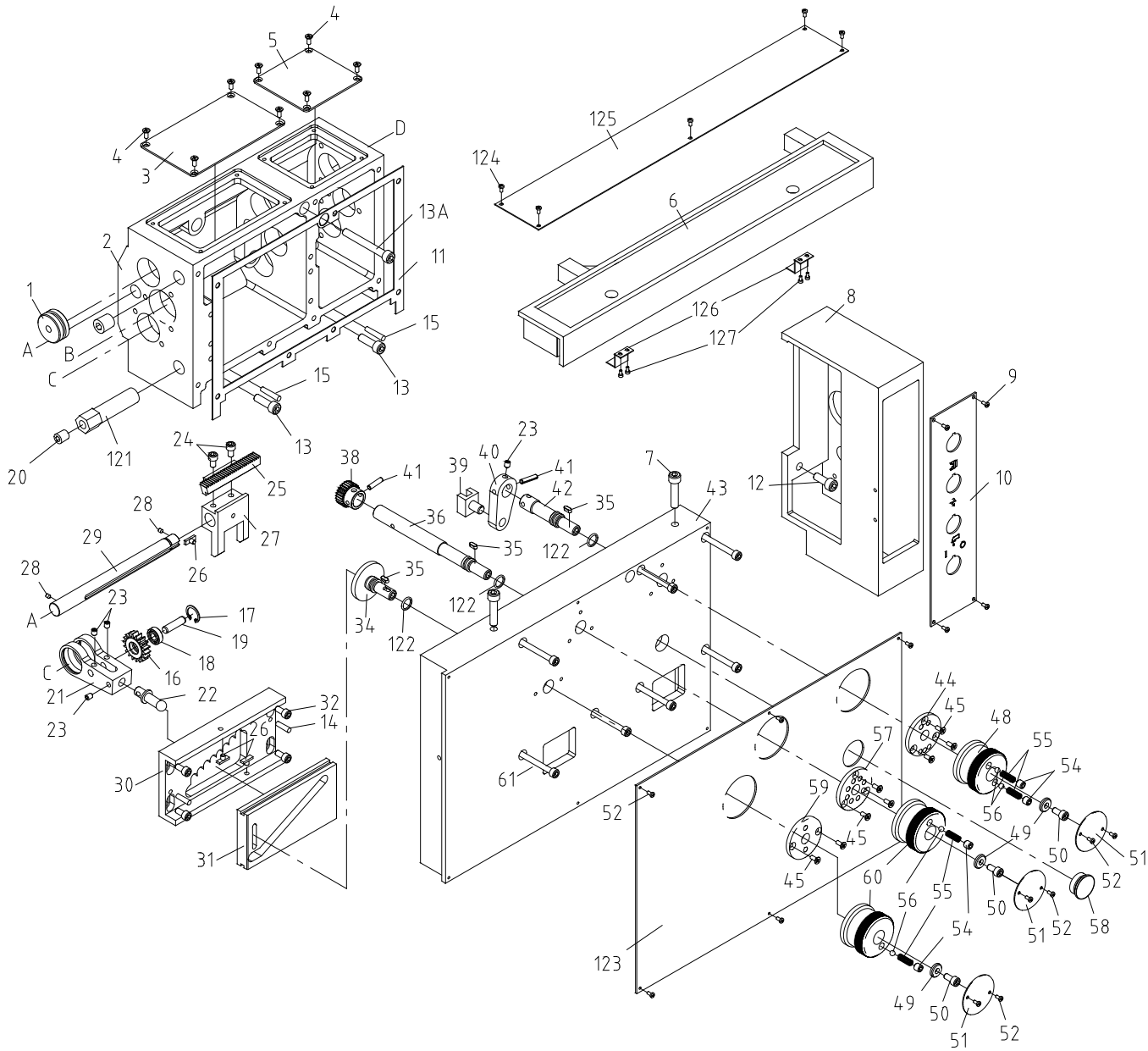


## Headstock Assembly III

### IndexPart

No.	No.Description	Size	Quantity	
56	TS-1503031	Hex Socket HdCap Screw	M6x12	18
61	TS-1504031	Hex Socket HdCap Screw	M8x16	3
74	F006050	C-Retaining Ring, Ext	25 mm	6
82	BB-6204	Ball Bearing	6204/p5	5
89	04-53	Bearing Cap		2
90	04-52	Bearing Cap Gasket		2
95	F006055	C-Retaining Ring, Ext	40 mm	1
96	BB-6005	Ball Bearing	6005/p5	4
102	GB894.1-55	Retainer Ring	55	1
110	TS-1503041	Hex Socket HdCap Screw	M6x16	3
111	GH1440-04-29	Cover		1
112	04-60	Gasket		1
113	TS-1502031	Hex Socket HdCap Screw	M5x12	2
114	GH1440-04-31	Nut		1
115	BB-32011	Tapered Roller Bearing	32011/p5	1
116	GH1440-04-30	Gear	38T	1
117	CK6125-02713	Lock Collar		1
118	GH1440-04-21	Gear	59T	1
119	TS-1502051	Hex Socket HdCap Screw	M5x20	6
120	GH1440-04-23	Gear	87T	1
121	GH1440-04-25	Collar		1
122	BB-30212	Tapered Roller Bearing	30212/p5	1
123	GH1440-04-32	Gasket		1
124	GH1440-04-28	Cover		1
125	TS-1503061	Hex Socket HdCap Screw	M6x25	3
126	5509094	Key, Dbl Rd Hd	6x30 mm	1
127	GHW-H127	Key, Dbl Rd Hd	10x55 mm	1
128	JHM610-22	Hex Socket HdCap Screw	M6x14	6
129	04-31/1	Spring		3
130	04-86	Camlock Set Pin		3
131	04-85	Camlock		3
132	GH1440K-02701	Spindle		1
133	F006047	C-Retaining Ring, Ext	20 mm	4
134	04-36	Washer		2
135	04-35	Gear Assembly	32T	1
136	F006083	C-Retaining Ring, Ext	37 mm	1
137	04-54	Gear	32T	1
138	KF2R5516	Key, Dbl Rd Hd	5x16 mm	1
139	04-55	Gear Assembly	32T	1
140	TS-1523041	Socket Set Screw	M6x12	1
141	04-37	Shaft		1
142	GH1440K-342	O-Ring	25x2.65	3
143	GHW-H126	Key	6x30 mm	1
144	GH1440K-02733	Gear	42T	1
145	GH1440K-02111	Collar		2
146	04-44	Gear	32T	1
147	GH1440K-H147	Key, Dbl Rd Hd	6x55 mm	1
148	GH1440K-02736	Gear	32T	1
149	BB-6004	Ball Bearing	6004/p5	2
150	GH1440K-02102	Plug		1
151	GH1440K-02732	Shaft		1
152	04-43	Gear	38T	1
153	04-42	Spline Shaft		1
154	04-48	Gasket		1
155	04-49	Cover		1
156	GH1440K-H156	Spacer	SD25x40x7	1
158	GH1440-04-65	Collar		1

# Gearbox Assembly I

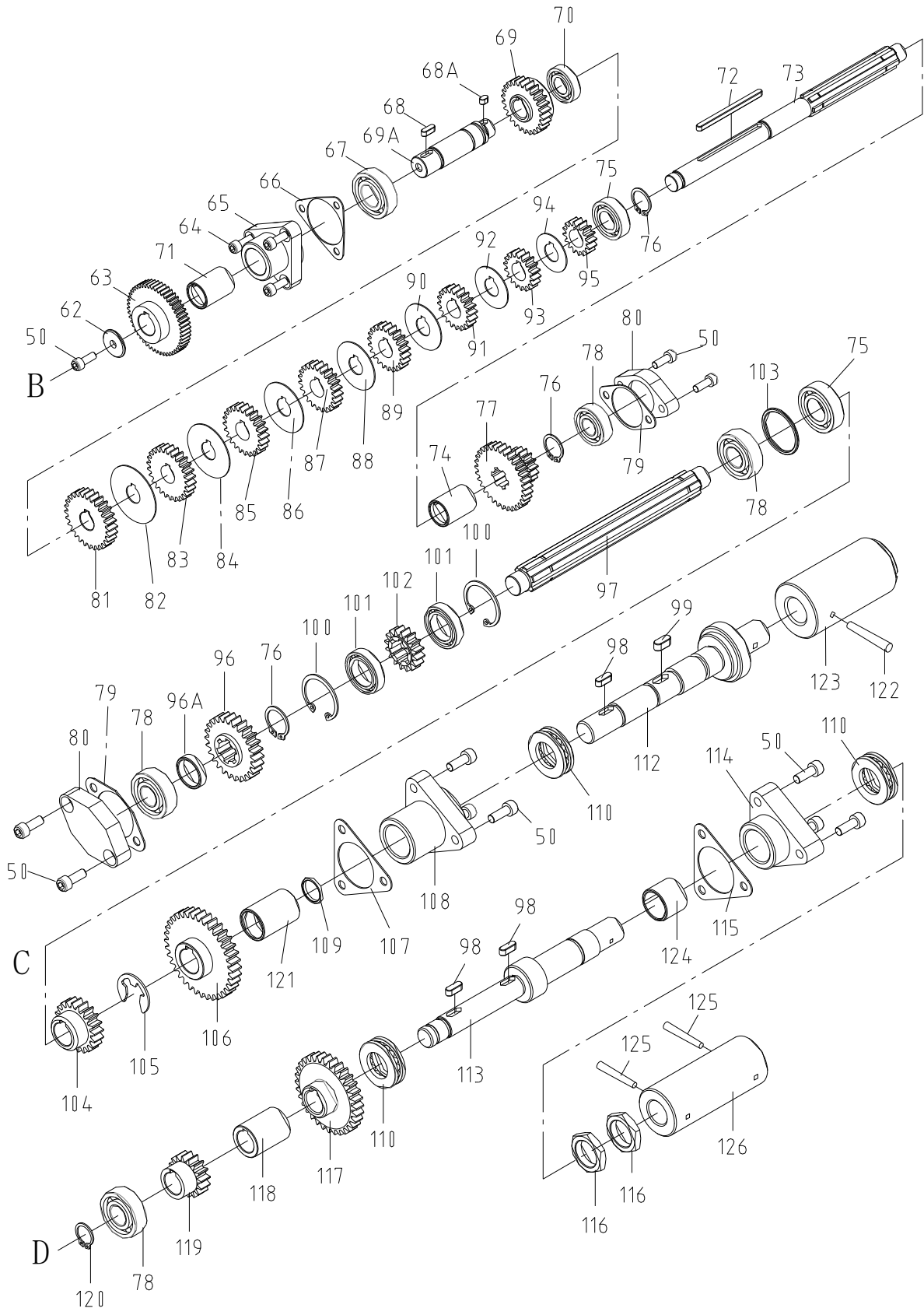


## Gearbox Assembly I

Index No.	Part No.	Description	Size	Quantity
1	05-73	Plug		1
2	GH1440K-05101-G	Gearbox Casting		1
3	05-07	Front Cover		1
4	TS-1532031	Flat Head Machine Screw	M4x10	8
5	GH1440A-05719	Oil Cover		1
6	GH1440K-05501-G	Cover		1
7	TS-1504071	Hex Socket Cap Screw	M8x35	2
8	GH1440-05-09-G	Bracket		1
9	GB70.2-M3x6	Hex Socket Button Head Screw	M3x6	4
10	GH-1440K18301-2	Electrical Plate		1
11	05-61	Gasket		1
12	TS-1503041	Hex Socket Cap Screw	M8x40	2
13	TS-1504051	Hex Socket Cap Screw	M8x25	3
13A	GB70-M8x65	Hex Socket Cap Screw	M8x65	1
14	GB117-85-5x20	Pin	5x20	2
15	GB117-85-5x28	Pin	5x28	2
16	05-49	Gear	16T	1
17	GB893.1-86-19	Retainer Ring	19	1
18	GH1440K-G18	Bearing	619/8/p5	1
19	05-51	Shaft		1
20	05-75	Plug		2
21	05-03	Shifter		1
22	05-02	Shaft		1
23	TS-1523021	Set Screw	M6x8	4
24	TS-1503051	Hex Socket Cap Screw	M6x20	2
25	05-13	Rack		1
26	05-01	Shift Key		3
27	05-12	Shift Fork		1
28	TS-1523021	Set Screw	M6x8	2
29	05-15	Shaft		1
30	05-05	Locating Plate		1
31	05-04	Control Plate		1
32	TS-1503031	Hex Socket Cap Screw	M6x12	4
34	GH1440K-05701	Shift Hub		1
35	GB1096-79-4x10	Key	4x10	3
36	GH1440K-05702	Shaft		1
37	GB879-86-5x20	Pin	5x20	1
38	05-14	Gear	26T	1
39	05-55	Shift Fork		1
40	05-56	Shift Arm		1
41	GB879-86-5x20	Pin	5x20	1
42	GH1440K-05703	Shaft		1
43	GH1440K-05102-G	Cover		1
44	05-58	Locating Disk		1
45	GB819-85-M5x10	Flat Head Machine Screw	M5x10	8
48	GH1440K-05724	Shift Hub		1
49	05-08	Washer		3
50	TS-1503041	Hex Socket Cap Screw	M6x16	4
51	GH1440K-05302	Lever Name Plate		3
52	GB70.2-M3x6	Hex Socket Button Head Screw	M3x6	6
54	TS-1524011	Set Screw	M8x8	4
55	05-72	Spring		4
56	GB308-84-6.5	Steel Ball	6.5	4
57	05-10	Locating Disk		1
58	GH1440-05-27	Oil Sight		1
59	05-59	Locating Disk		1

60	GH1440-05-13	Shift Hub	2
61	TS-1503081	Hex Socket Cap Screw .....M6x35	7
121	GHB1340A-05724	Oil Drain Pipe	1
122	GH1440K-G122	Washer	3
123	GH-1440K05301-22	Name Plate	1
124	GB70.2-M3x6	Hex Socket Button Head Screw .....M3x6	5
125	GH-1440K05303-2	Speed Chart	1
126	GH1440K-05732	Support	2
127	GB70-M4x8	Hex Socket Cap Screw .....M4x8	4

# Gearbox Assembly II

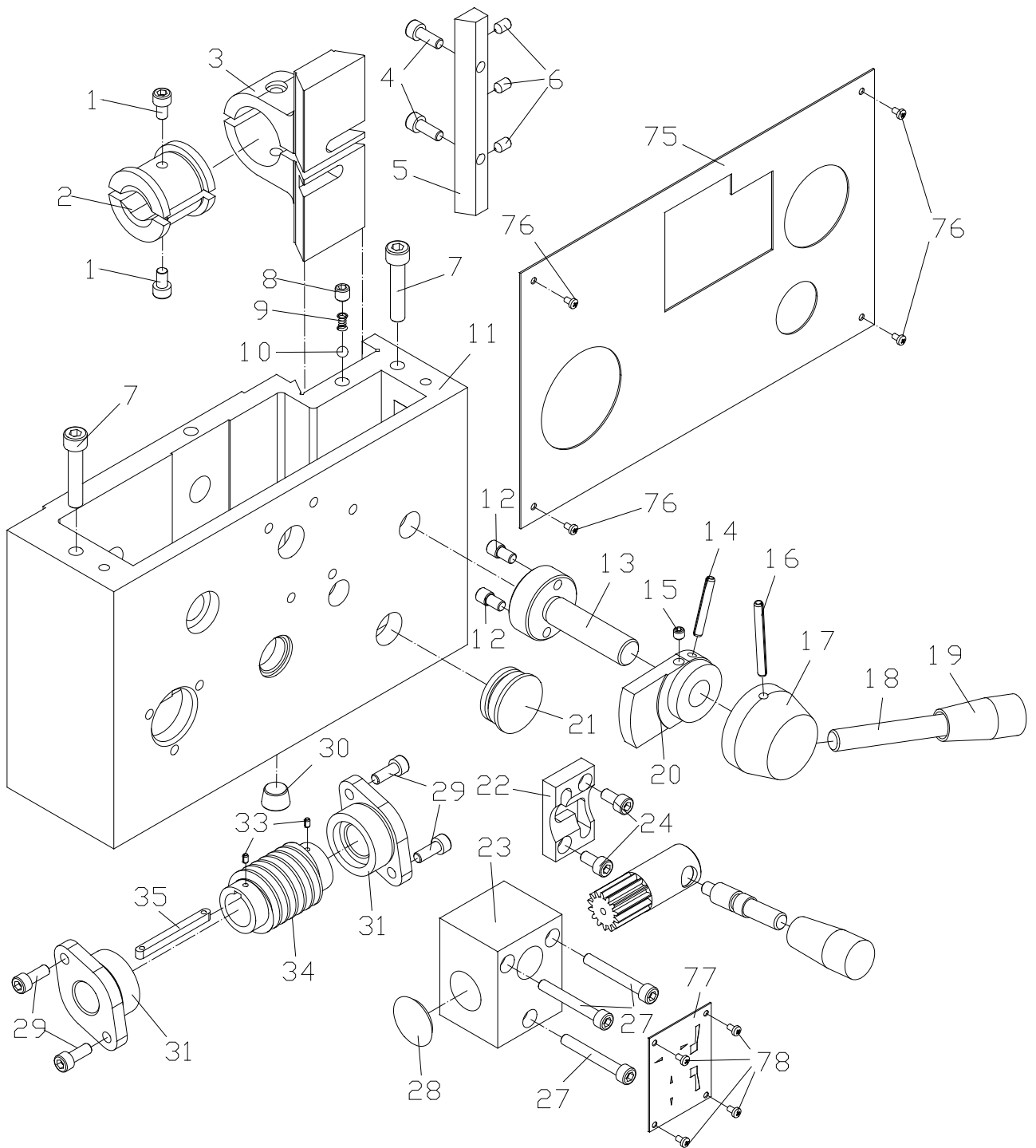


## Gearbox Assembly II

Index No.	Part No.	Description	Size	Quantity
50	TS-1503041	Hex Socket Cap Screw	M6x16	14
62	05-42	Washer		1
63	05-41	Gear	52T	1
64	TS-1503051	Hex Socket Cap Screw	M6x20	3
65	05-39	Flange		1
66	05-38	Gasket		1
67	BB-6004	Ball Bearing	6004/P5	1
68	GB1096-79-5x14	Key		1
68A	GB1096-79-5x8	Key	5x8	1
69	05-40	Gear Shaft Assembly		1
69A	GH1440A-05725(IN)	Shaft		1
70	BB16002	Ball Bearing	16002/p5	1
71	05-36	Shaft Collar		1
72	GB1096-79-5x75	Key	5x75	1
73	05-27	Shaft		1
74	05-67	Shaft Collar		1
75	BB-6003	Ball Bearing	6003/p5	2
76	GB894.1-86-20	Retainer Ring	20	3
77	05-21	Gear	16T/32T	1
78	BB-6202	Ball Bearing	6202/p5	4
79	05-48	Gasket		2
80	05-47	Flange		2
81	05-35	Gear	28T	1
82	GH1440K-05719	Washer		1
83	GH1440K-05712	Gear	26T	1
84	GH1440K-05718	Washer		1
85	GH1440K-05711	Gear	24T	1
86	GH1440K-05717	Washer		1
87	GH1440K-05710	Gear	23T	1
88	GH1440K-05716	Washer		1
89	GH1440K-05709	Gear	22T	1
90	GH1440K-05715	Washer		1
91	GH1440K-05708	Gear	20T	1
92	GH1440K-05714	Washer		1
93	GH1440K-05707	Gear	18T	1
94	GH1440K-05713	Washer		1
95	GH1440K-05706	Gear	16T	1
96	05-37	Gear	26T	1
96A	GH1440A-05118(IN)	Collar		1
97	05-52	Spline Shaft		1
98	GB1096-79-5x14	Key	5x14	3
99	GB1096-79-6x14	Key	6x14	1
100	GB893.1-86-32	Retainer Ring	32	2
101	BB-61804	Bearing	61804/p5	2
102	05-49	Gear	16T	1
103	05-66	Washer		1
104	05-25	Gear	21T	1
105	GB896-86-15	Retainer Ring	15	1
106	05-19	Gear	26T	1
107	05-53	Gasket		1
108	05-17	Flange		1
109	GB3452.1-82-15x2.65	O-Ring	15x2.65	1
110	BB-8104	Ball Bearing	8104	3
112	GH1440K-05704	Shaft		1
113	GH1440K-05705	Shaft		1
114	05-18	Flange		1

115	05-53	Gasket	1
116	05-20	Nut	2
117	05-22	Gear.....32T	1
118	05-24	Collar	1
119	05-26	Gear.....16T	1
120	GB894.1-15	Retainer Ring.....15	1
121	GH1440A-05306		1
122	GB117-5×40	Pin .....5×40	1
123	GH1440K-05727		1
124	GH1440A-05307		1
125	GB117-4×30	Pin .....4×30	2
126	GH1440K-05726		1

# Apron Assembly I

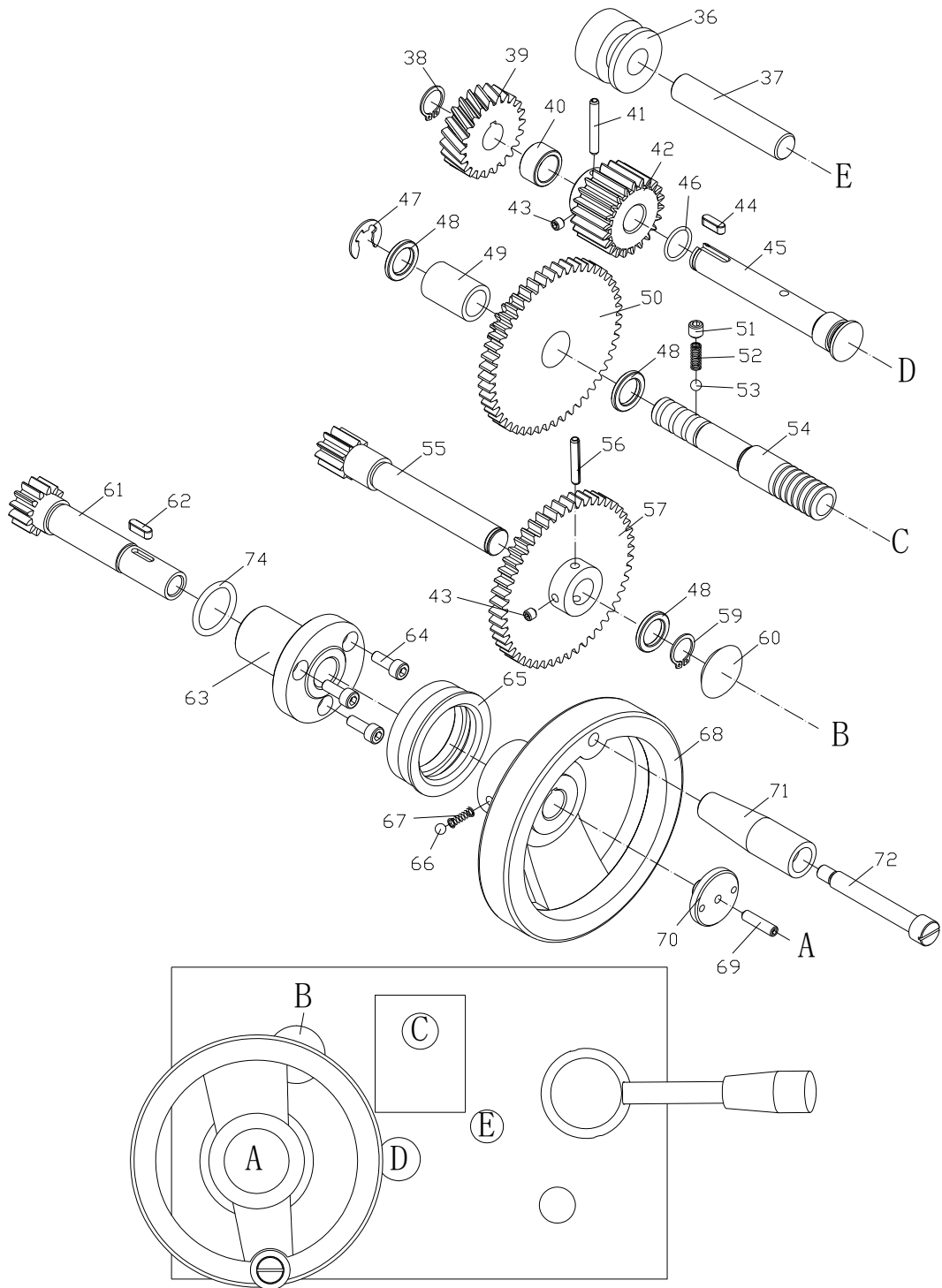




## Apron Assembly I

IndexPart No.No.Description	Size	Quantity
1..... TS-1503021 .....	Hex Socket Cap Screw .....	M6x10.....2
2..... 06-37 .....	Half Nut.....	1
3..... 06-36.....	Bracket .....	1
4..... TS-1503041 .....	Hex Socket Cap Screw .....	M6x16.....2
5..... 06-33.....	Gib .....	1
6..... TS-1523031 .....	Set Screw .....	M6x10.....3
7..... TS-1504081 .....	Hex Socket Cap Screw .....	M8x40.....2
8..... TS-1524011 .....	Set Screw .....	M8x8.....1
9..... 06-39.....	Spring .....	1
10..... GB308-84-Ø6 .....	Steel Ball .....	6.....1
11..... 06-01-B .....	Casting .....	1
12..... 06-42-1 .....	Pin .....	2
13..... 06-42.....	Half Nut Cam .....	1
14..... GB879-86-5x35.....	Pin .....	5x35.....1
15..... TS-1523011 .....	Set Screw .....	M6x6.....1
16..... GB879-86-5x50.....	Pin .....	5x50.....1
17..... GH1440-06-09.....	Hub .....	1
18..... GH1440-06-04.....	Handle Shaft.....	1
19..... GB4141.14-BM10x50 .....	Knob .....	BM10x50.....2
20..... 06-40.....	Safety Catch .....	1
21..... GH1440-05-27 .....	Oil Sight .....	1
22..... 06-04-B .....	Bracket .....	1
23..... 06-16-B .....	Block.....	1
24..... TS-1503031 .....	Hex Socket Cap Screw .....	M6x12.....2
25..... GH1440-06-07 .....	Spline Shaft .....	1
26..... GH1440-06-08.....	Handle Shaft.....	1
27..... TS-1503101 .....	Hex Socket Cap Screw .....	M6x45.....3
28..... 06-02.....	Plug .....	1
29..... TS-1503041 .....	Hex Socket Cap Screw .....	M6x16.....4
30..... 06-35.....	Drain Plug.....	1
31..... 06-34.....	Flange.....	2
32..... GB1096-79-5x56.....	Key .....	5x56.....1
33..... GB879-86-3x5 .....	Pin .....	3x5.....2
34..... 06-27.....	Worm .....	1
35..... 06-50.....	Collar .....	2
73..... TS-1522031 .....	Set Screw .....	M5x10.....2
75..... GH-1440K06301-7 .....	Apron Label .....	1
76..... GB70.2-M3x6 .....	Hex Socket Button Head Screw .....	M3x6.....8
77..... GH-1440K06302-3 .....	Thread Dial Label .....	1
78..... GB70.2-M3x6 .....	Hex Socket Button Head Screw .....	M3x6.....4

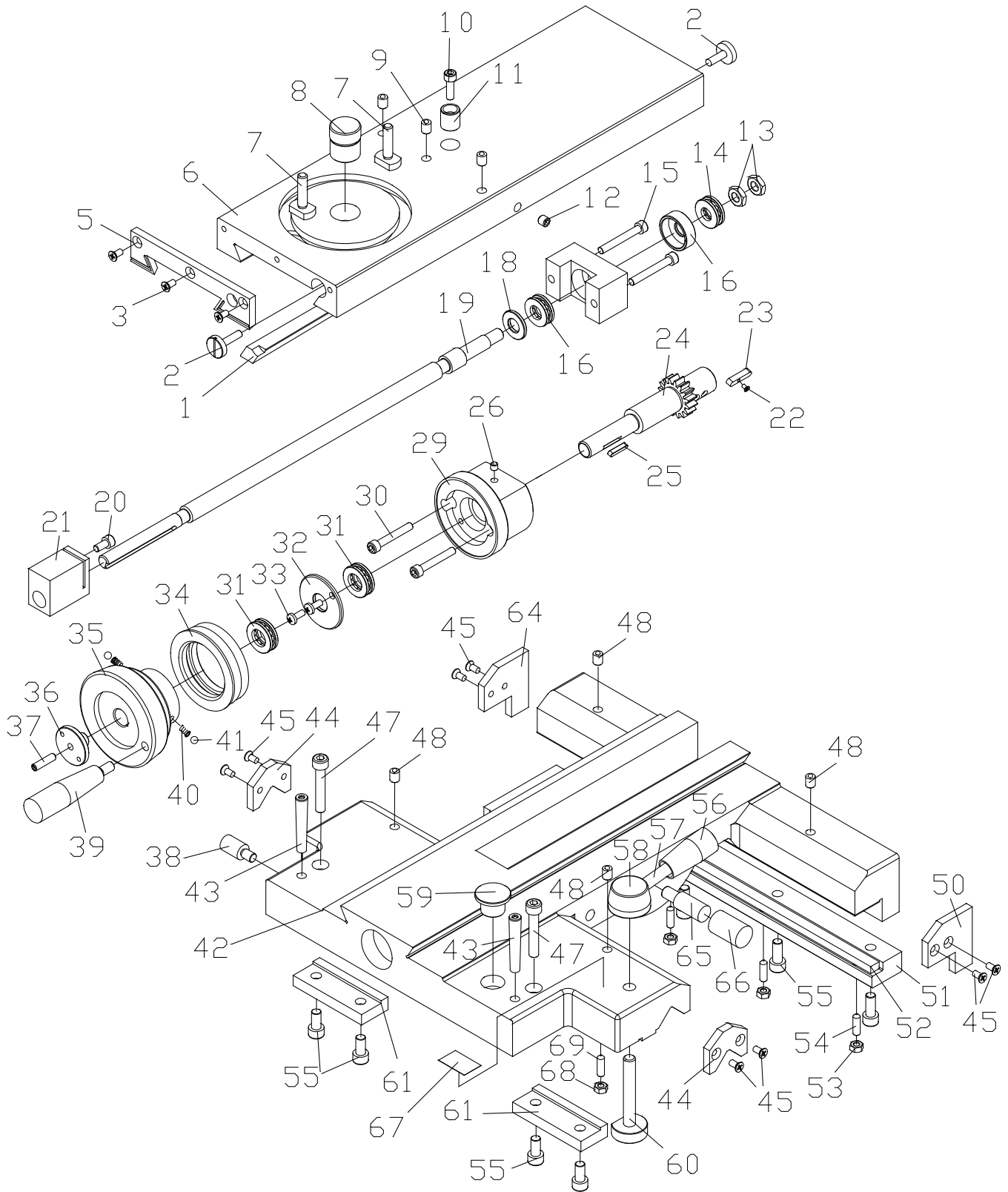
# Apron Assembly II



## Apron Assembly II

IndexPart No. No.	Description	Size	Quantity
36..... 06-44.....	Bushing.....		1
37..... 06-43.....	Shaft.....		1
38..... GB894.1-86-16.....	Retainer Ring.....	16.....	1
39..... 06-28.....	Gear.....	22T.....	1
40..... 06-26.....	Collar.....		1
41..... GB879-86-5x35.....	Pin.....	5x35.....	1
42..... 06-20.....	Gear.....	24T.....	1
43..... TS-1523011.....	Set Screw.....	M6x6.....	1
44..... GB1096-79-5x15.....	Key.....	5x15.....	1
45..... 06-19.....	Shaft.....		1
46..... GB3452.1-82-17x1.8.....	O-Ring.....	17x1.8.....	1
47..... GB896-86-12.....	Retainer Ring.....	12.....	1
48..... 06-10.....	Bushing.....		2
49..... 06-15-1.....	Collar.....		1
50..... 06-15.....	Cluster Gear.....	50T/20T.....	1
51..... TS-1524011.....	Set Screw.....	M8x8.....	1
52..... 06-14.....	Spring.....		1
53..... GB308-84-Ø6.....	Steel Ball.....	6.....	1
54..... 06-13.....	Shaft.....		1
55..... 06-06.....	Shaft.....		1
56..... GB879-86-5x30.....	Pin.....	5x30.....	1
57..... 06-08.....	Gear.....	50T.....	1
58..... 06-10.....	Bushing.....		1
59..... GB894.1-86-16.....	Retainer Ring.....	16.....	1
60..... 06-11.....	Plug.....		1
61..... 06-07.....	Shaft.....		1
62..... GB1096-79-5x15.....	Key.....	5x15.....	1
63..... GH1440K-06109Jm.....	Wheel Flange.....		1
64..... TS-1503041.....	Hex Socket Cap Screw.....	M6x16.....	3
65..... GH1440K-06722Jm.....	Indicator Ring.....		1
66..... GB308-84-Ø6.....	Steel Ball.....	6.....	2
67..... 06-32.....	Spring.....		2
68..... GH1440-06-06.....	Wheel.....		1
69..... TS-1523071.....	Set Screw.....	M6x25.....	1
70..... 06-30.....	Wheel Stud.....		1
71..... GH1440-06-11.....	Handle Sleeve.....		1
72..... GH1440-06-10.....	Handle Lever.....		1
74..... GB3452.1-82-25.8x3.55.....	O-Ring.....	25.8x3.55.....	1

# Saddle and Cross Slide Assembly

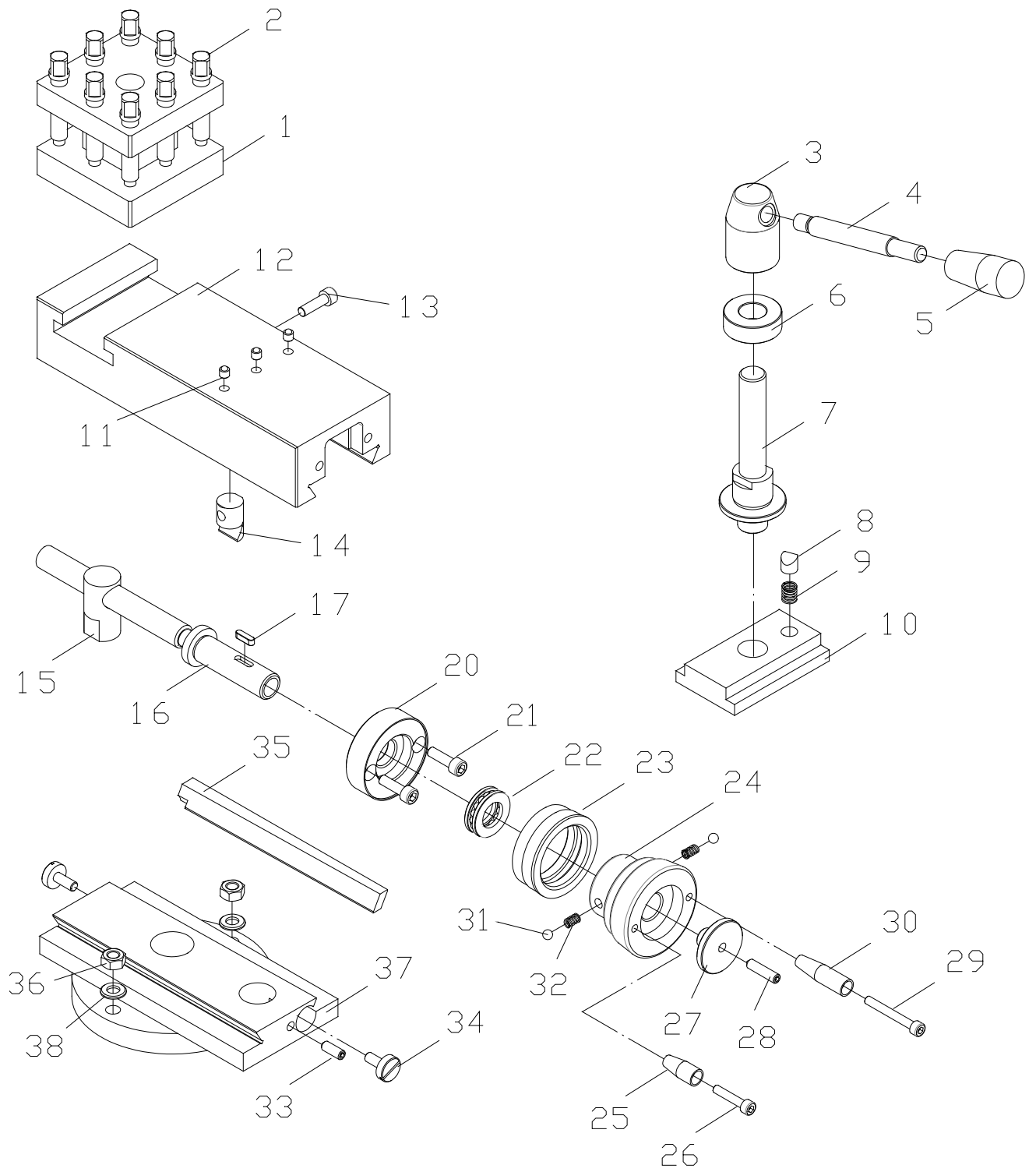


## Saddle and Cross Slide Assembly

IndexPart No. No.	Description	Size	Quantity	
1	GH1440K-04702	Gib	1	
2	GH1440A-04728	Gib Adjusting Screw	2	
3	TS-2245102	Pan Head Machine Screw	M5x10	5
5	GH1440K-04504	Plate Wiper	1	
6	GH1440K-04102	Cross Slide Body	1	
7	GH1440K-04704	Clamp Nut	2	
8	GH1440A-04726	Hub	1	
9	GB1155-8	Oiler	8	3
10	TS-1503051	Hex Socket Cap Screw	M6x20	3
11	GH1440K-04705	Sleeve	1	
12	TS-1524011	Set Screw	M8x8	1
13	TS-1541041	Hex Nut	M10	2
14	GH1440A-04701	Bearing Cap	1	
15	TS-1503071	Hex Socket Cap Screw	M6x30	2
16	BB-8101	Thrust Bearing	8101	2
17	GH1440A-04103	Block	1	
18	GH1440A-04702	Spacer	1	
19	GH1440-07-16	Leadscrew	1	
20	TS-1503031	Hex Socket Cap Screw	M6x12	1
21	GH1440K-04301	Crossfeed Nut	1	
22	GB819-85-M3x5	Pan head Machine Screw	M3x5	1
23	GH1440A-04718	Key	5X25	1
24	GH1440K-04703	Gear Shaft	1	
25	GB1096-79-4x20	Key	4x20	2
26	GB1155-89-6	Oiler	6	1
29	GH1440K-04103Jm	Housing	1	
30	TS-1503091	Hex Socket Cap Screw	M6x40	2
31	BB-8102	Thrust Bearing	8102	2
32	GH1440A-04715	Washer	1	
33	TS-1532031	Pan head Machine Screw	M5x10	2
34	GH1440K-04710Jm	Index Ring	1	
35	GH1440A-04107	Compound Handle	1	
36	GH1440A-04717	Cover Screw	2	
37	TS-1523071	Set Screw	M6x25	1
39	GH1440A-06719	Handle Sleeve	1	
40	GB2089-79-0.7x5x9	Spring	0.7x5x9	2
41	GB308-84-Ø6	Steel Ball	6	2
42	GH1440K-04101-B	Saddle	1	
43	GB117-86-6x40	Pin	6x40	2
44	GH1440K-04503	Plate Wiper	2	
45	TS-2245102	Pan Head Machine Screw	M5x10	1
47	TS-1504091	Hex Socket Cap Screw	M8x45	2
48	GB1155-79-8	Oiler	8	4
50	GH1440K-04501	Plate Wiper	1	
51	GH1440A-04720	Rear Pressure Plate	1	
52	GH1440A-04108	Gib	1	
53	TS-1541021	Lock Nut	M6	4
54	TS-1523061	Set Screw	M6x20	4
55	TS-1504041	Hex Socket Cap Screw	M8x20	6
56	GB4141.14-M10x50	Knob	BM10x50	1
57	GH1440K-04724Jm-DRO	Handle Shaft	1	
58	GH1440A-04730	Hub	1	
59	GH1440A-04502	Oil Cap	1	
60	GH1440A-04731	Lock Stud	1	
61	GH1440A-04719	Front Pressure Plate	2	
62	14-04	Connected Tube	1	

63.....	GH1440A-18707A .....	Lamp Bracket .....	1
64.....	GH1440K-04502.....	Plate Wiper .....	1
65.....	GHB1340A-04788 .....	Pin .....	1
66.....	GHB1340A-04507 .....	Sleeve.....	1
67.....	GH-1440K04303-1 .....	Sleeve.....	1
68.....	TS-1541011 .....	Nut .....	M5 .....
69.....	TS-1502071 .....	Set Screw .....	M5X30 .....

# Top Slide and Tool Post

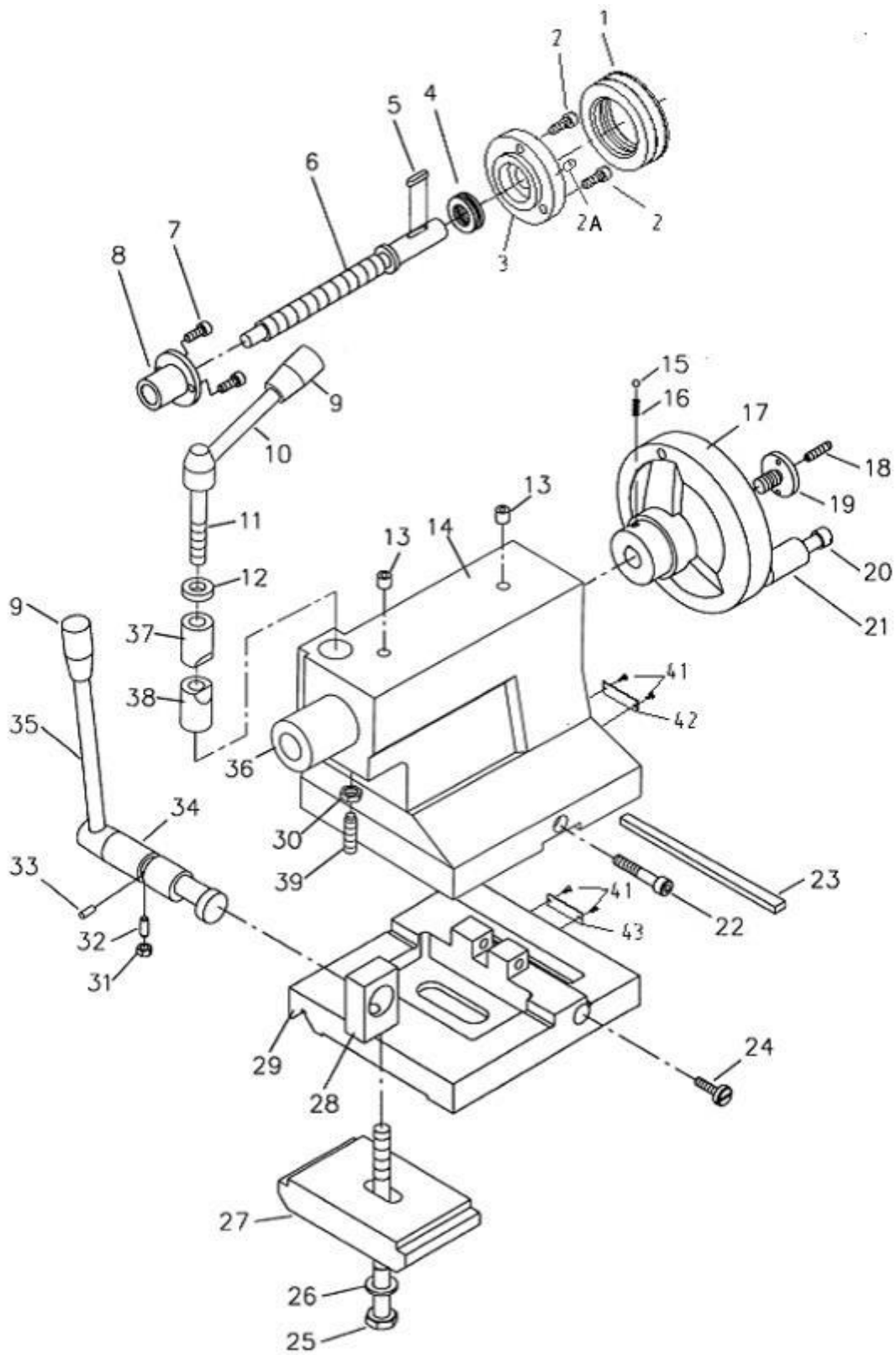


## Top Slide and Tool Post

Index No.	Part No.	Description	Size	Qty
1	GH1440A-04707	Tool Post		1
2	GB83-88-10x50	Tool Lock Screw	10x50 mm	8
3	C0632-04704	Handle Hub		1
4	GH1440A-04705	Handle Shaft		1
5	GB4141.14-BM10x50	Knob	M10x50	1
6	GH1440A-04706	Spacer		1
7	GH1440A-04708	Tool Post Pin		1
8	GH1440A-04709	Tool Post Position Pin		1
9	GB2089-80-1x8x11	Spring	1x8x11 mm	1
10	GH1440A-04725	Clamp Nut		1
11	GB1155-89-6	Ball Oiler	6 mm	3
12	GH1440K-04105	Compound Slide		1
13	TS-1503051	Hex Socket HdCap Screw	M6x20	1
14	GH1440A-04729	Position Pin		1
15	GH1440A-04302A	Cylindrical Nut		1
16	GH1440A-04724C	Compound Screw		1
17	GB1096-79-4x14	Key, Dbl Rd Hd	4x14 mm	1
20	GH1440K-04110Jm	Screw Bushing		1
21	TS-1503051	Hex Socket HdCap Screw	M6x20	2
22	BB-8103	Thrust Bearing	8103	1
23	GH1440K-04711Jm	Index Ring		1
24	GH1440A-04109	Handwheel		1
25	GH1440A-04722	Handle		1
26	TS-1502061	Hex Socket HdCap Screw	M5x25	1
27	GH1440A-04717	Cover Screw		1
28	TS-1523071	Socket Set Screw	M6x25	1
29	TS-1502091	Hex Socket HdCap Screw	M5x40	1
30	GH1440A-04721	Handle		1
31	GB308-84-Ø6	Steel Ball	6 mm	2
32	GB2089-80-0.7x5x9	Spring	0.7x5x9 mm	2
33	TS-1523051	Socket Set Screw	M6x16	1
34	GH1440A-04728	Gib Adjusting Screw		2
35	GH1440K-04106	Gib		1
36	TS-1540061	Hex Nut	M8	2
37	GH1440K-04104A	Swivel Slide		1
38	TS-1550061	Flat Washer	8 mm	2



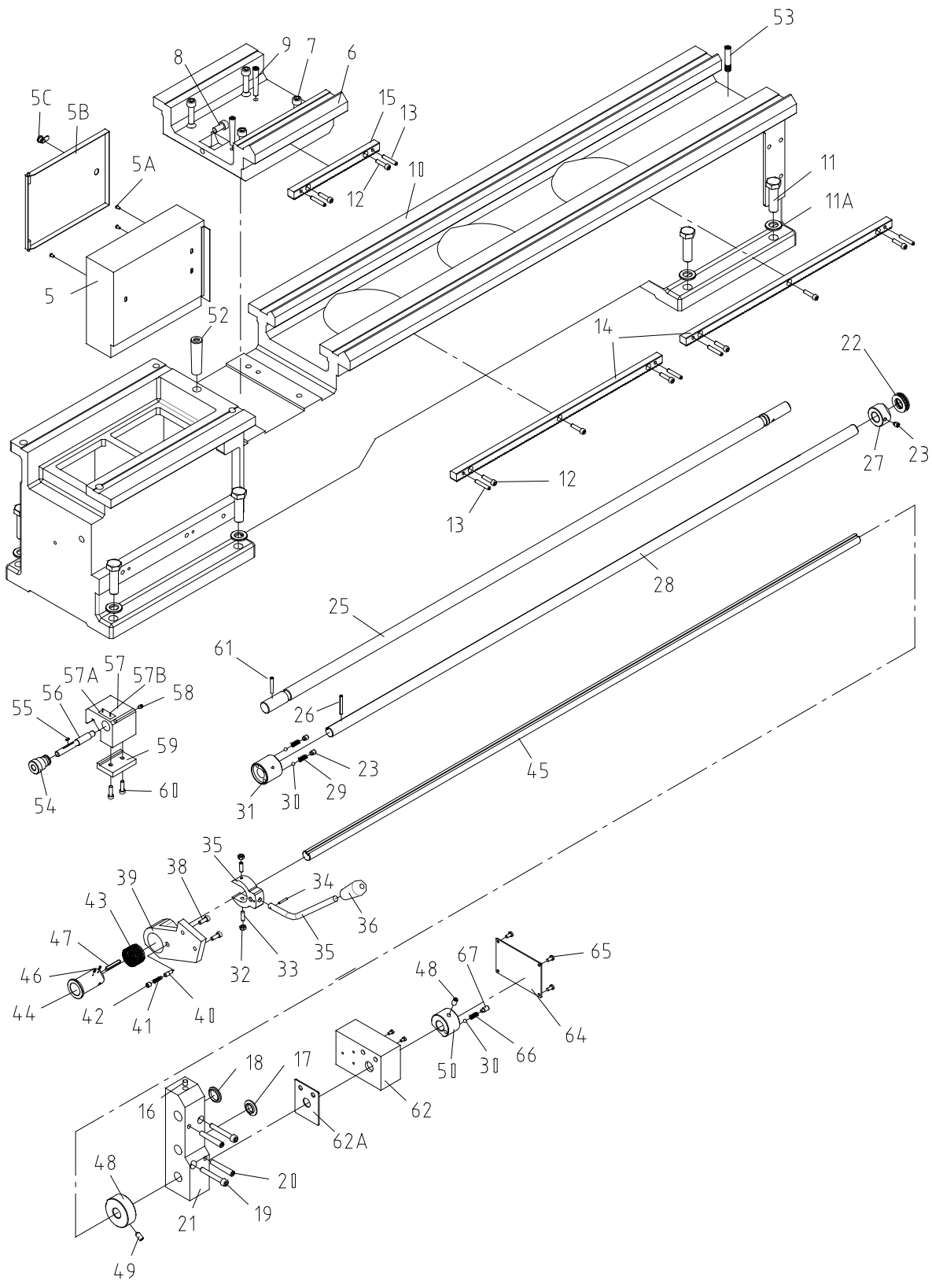
# Tailstock Assembly



## Tailstock Assembly

Index No.	Part No.	Description	Size	Qty
1	GH1440K-03713Jm	Index Ring		1
2	TS-1503051	Hex Socket HdCap Screw	M6x20	3
2A	GB1155-89	Ball Oiler	6mm	1
3	GH1440K-03102Jm	Hub		1
4	BB-8103	Thrust Bearing	8103	1
5	KF2R4420	Key, Dbl Rd Hd	4x20 mm	1
6	GH1440K-03702	Leadscrew		1
7	TS-1503041	Hex Socket HdCap Screw	M6x16	2
8	GH1440K-03301	Flange		1
9	GB4141. 14-BM10x50	Knob	BM10x50	2
10	GH1440K-03705	Lever Handle		1
11	GH1440K-03704	Lever Support		1
12	GH1440K-03703	Washer		1
13	GB1155-89-10	Ball Oiler	10 mm	2
14	GH1440K-03101-B	Tailstock Body		1
15	GB308-84-Ø6	Steel Ball	6 mm	2
16	GB2089-80-0.8x5x8	Spring	0.8x5x8	2
17	GH1440A-06108	Handwheel		1
18	TS-1523081	Socket Set Screw	M6x30	1
19	GH1440A-06721	Cover Screw		1
20	GH1440A-06720	Handle Lever		1
21	GH1440A-06719	Handle Sleeve		1
22	TS-1504131	Hex Socket HdCap Screw	M8x70	2
23	GH1440K-03711	Gib		1
24	GH1440K-03712	Gib Adjusting Screw		2
25	TS-1492071	Hex Cap Bolt	M12x70	1
26	TS-1550081	Washer	12 mm	1
27	GH1440K-03103	Tailstock Clamp Plate		1
28	GH1440A-03710	Block		1
29	GH1440K-03104-B	Tailstock Base		1
30	TS-1541041	Hex Jam Nut	M10	1
31	TS-1541021	Hex Jam Nut	M6	1
32	F010438	Socket Set Screw DP	M6x16	1
33	GB879-86-5x10	Pin	5x10 mm	1
34	GH1440K-03710	Eccentric Shaft		1
35	GH1440K-03709	Lever Handle		1
36	GH1440K-03701	Quill		1
37	GH1440K-03707	Clamping Block		1
38	GH1440K-03708	Clamping Block		1
39	F010446	Socket Set Screw DP	M10x40	1
41	GB827-2x5	Rivet	2x5	4
42	GH1440K-03302	Indicator Label		1
43	GH1440K-03303	Indicator Label		1

# Bed and Shaft Assembly

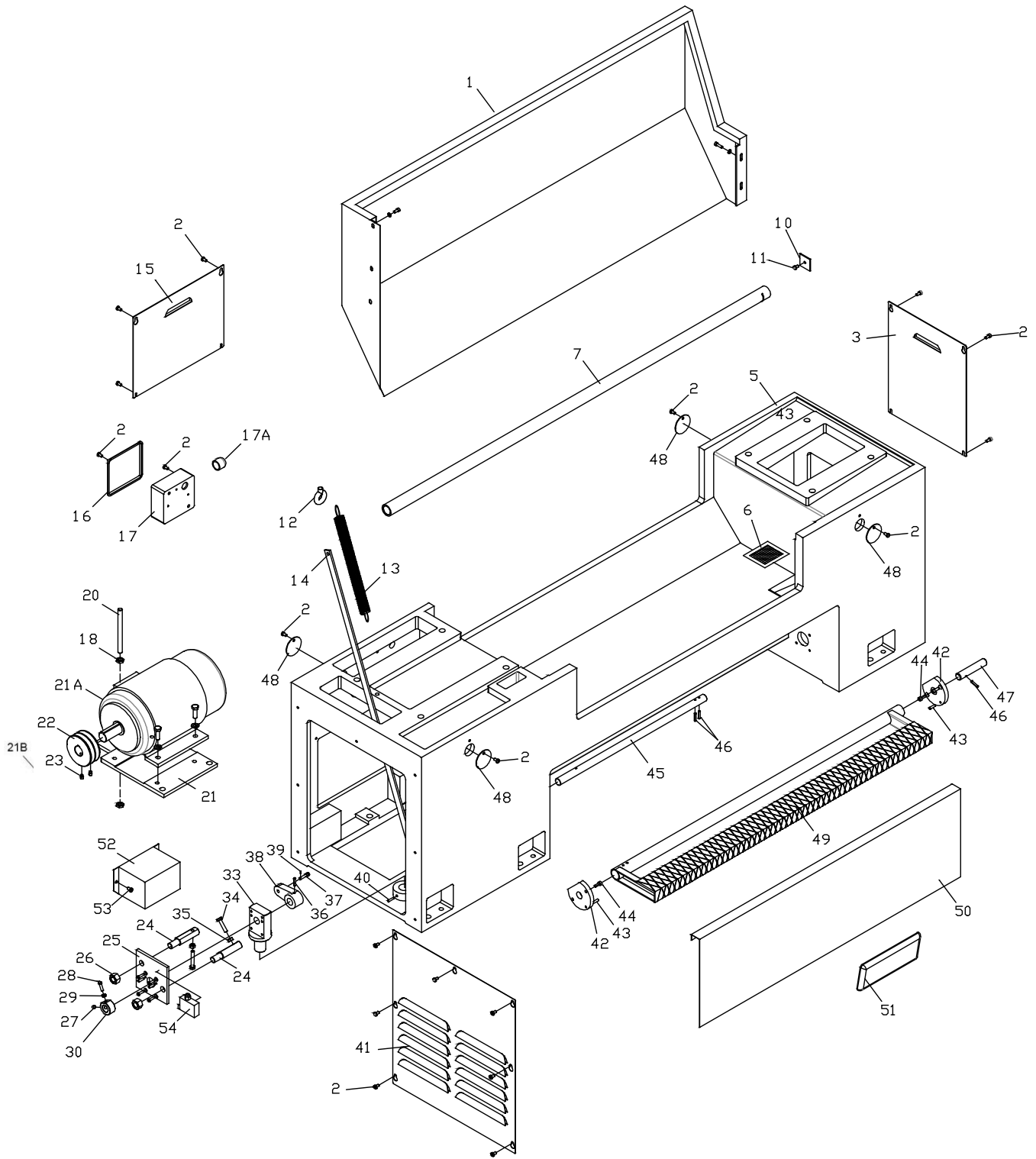


## Bed and Shaft Assembly

IndexPart No. No.	Description	Size	Quantity
4.....	GH1440K-01737.....	Stud.....	3
5.....	GH1440K-18701-G.....	Electrical Box Cover.....	1
5A.....	GB70.1-M6x40.....	Hex Socket Cap Screw.....	3
.....	GB97.2-6.....	Washer.....	6.....
5B.....	GH1440K-18702-G.....	Electrical Box Door.....	1
5C.....	GH1440K-18703.....	Lock.....	1
6.....	GH1440K-01102-G.....	Gap.....	1
7.....	TS-1506051.....	Hex Socket Cap Screw.....	M10x40.....
8.....	TS-1525041.....	Socket Set Screw.....	M10x20.....
9.....	GB881-86-8x60.....	Pin.....	8x60.....
10.....	GH1440K-01101-G.....	Bed.....	1
11.....	TS-2213501.....	Hex Cap Bolt.....	M16x50.....
11B.....	TS-155010.....	Washer.....	16.....
12.....	TS-1503061.....	Hex Socket Cap Screw.....	M6x25.....
13.....	GB879-85-6x35.....	Pin.....	6x35.....
14.....	GH1440A-01705.....	Rack (long).....	2
15.....	GH1440A-01704.....	Rack (short).....	1
16.....	GB1155-89-10.....	Oiler.....	10.....
17.....	C0632-01503.....	Plug.....	2
18.....	C0632-01502.....	Plug.....	1
19.....	TS-1504111.....	Hex Socket Cap Screw.....	M8x55.....
20.....	GB118-86-8x55.....	Pin.....	8x55.....
21.....	GH1440K-01108-G.....	End Bracket.....	1
22.....	BB-51104.....	Bearing.....	51104.....
23.....	TS-1524021.....	Set Screw.....	M8x10.....
25.....	GH1440A-01712/1000.....	Lead Screw.....	1
26.....	GB879-85-5x40.....	Pin.....	5x40.....
27.....	GH1440A-01718.....	Collar.....	1
28.....	GH1440K-01701.....	Feed Shaft.....	1
29.....	01-38.....	Spring.....	1.2×6×28.....
30.....	GB308-84-Ø6.....	Steel Ball.....	6.....
31.....	GH1440A-01706.....	Clutch.....	1
32.....	TS-1540041.....	Nut.....	M6.....
33.....	TS-1523061.....	Set Screw.....	M6x20.....
34.....	GB879-85-3x20.....	Pin.....	3x20.....
35.....	GH1440A-01106-B.....	Control Fork.....	1
36.....	GH1440A-01715.....	Control Handle.....	1
37.....	GB4141.14-BM10x50.....	Knob.....	BM10x50.....
38.....	TS-1503041.....	Hex Socket Cap Screw.....	M6x16.....
39.....	GH1440A-01105-B.....	Control Bracket.....	1
41.....	GB2089-80-0.8x5x25.....	Spring.....	0.8x5x25.....
42.....	TS-1524011.....	Set Screw.....	M8x8.....
43.....	GB2089-80-3x35x70.....	Spring.....	3x35x70.....
44.....	GH1440A-01711.....	Sleeve.....	1
45.....	GH1440K-01701.....	Control Rod.....	1
46.....	TS-1520021.....	Set Screw.....	M3x6.....
47.....	GB1096-5x36.....	Key.....	5x36.....
48.....	TS-1523031.....	Set Screw.....	M8x16.....
49.....	GH1440A-01709.....	Collar.....	1
50.....	GH1440A-01708.....	Shift Collar.....	1
51.....	TS-1523051.....	Set Screw.....	M6x16.....
52.....	GB118-8x60.....	Pin.....	8x60.....
53.....	GB73-M12x40.....	Set Screw.....	M12x40.....
54.....	GH1440A-01717GJ.....	Index Ring.....	1
55.....	GB879-85-3x6.....	Pin.....	3x6.....

56	GH1440A-01716	Shaft	1
57	GH1440K-01105-B	Bracket	1
57A	GH1440K-03302	Indicator Label	1
57B	GB827-2x3	Rivet 2x3	1
58	TS-1523031	Set Screw M6x10	1
59	GH1440A-01108	Plate	1
60	TS-1503041	Hex Socket Cap Screw M6x20	2
61	GB879-5x40	Pin 5x40	1
62	C0632A-01301-G	Shaft Support	1
62A	C0632A-01505	Gasket	1
63	TS-1504041	Hex Socket Cap Screw M8x20	2
64	C0632A-01504-G	Shaft Box Cover	1
65	TS-2245102	Socket Head Button Screw M5x10	4
66	GB2089-1x5x22	Spring 1x5x22	1
67	TS-1524041	Set Screw M8x16	1
	GH1440K-SQ3	Forward Switch	TM1306 1
	GH1440K-SQ4	Reverse Switch	TM1306 1

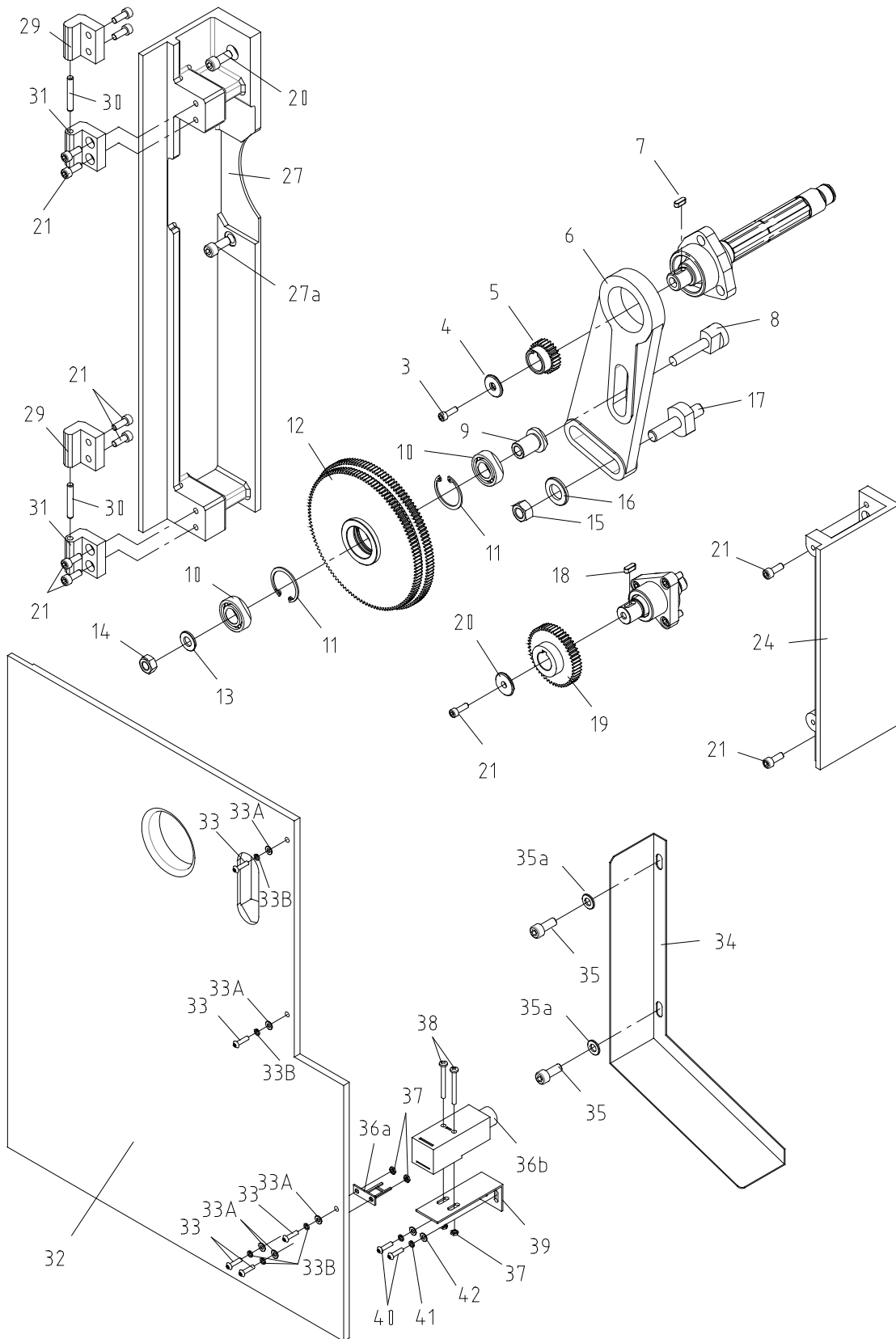
# Stand and Brake Assembly



## Stand and Brake Assembly

Index No.	Part No.	Description	Size	Quantity
1	GH1440K-01707-G	Splash Guard		1
2	TS-2246102	Head screw	M6x10	13
3	GH1440K-01710-G	Cover		1
5	GH1440K-01109-G	Bed Stand		1
6	CK6125-01702	Water Leaking Chip Guard		1
7	GH1440K-01716	Wire Conduit		1
10	TS-1502011	Screw	M5x8	1
11	1440R-01706	Locking Plate		1
12	GB825-M8	Eyebolt	M8	1
13	GH1440K-S13	Tensile Spring	3.5x25x270	1
14	GH1440K-22702	Draw Bar		1
15	GH1440K-01709-G	Cover		1
16	GH1440A-18303	Switch Box Cover		1
17	GH1440A-18304	Switch Box		1
17A	PG16	Joint	M24	1
18	TS-2342161	Nut	M16	9
20	GH1440K-01718	Bolt		3
21	GH1440K-01107A	Motor Mounting		1
21A	GH1440-M1-3	Main Motor	400V	1
21B	GH1440K-S21B	Pin	8x35	1
22	GH1440K-01106	Pulley		1
23	TS-1524041	Screw	M8x16	2
24	GH1440K-22707	Butt Rod Support		1
25	1440R-22714	Positioning Plate		1
26	TS-2342161	Nut	M16	2
27	TS-1524021	Set screw	M8x10	1
28	GH1440A-22713	Rod Support		1
29	TS-1541021	Nut	M6	1
30	GH1440A-22705	Butt Nail Support		1
31	GB117-5x20	Pin	5x20	2
32	GB819- M5x20	Head screw	M5x20	4
33	GH1440K-22704	Adjust Bolt		1
34	TS-1490091	Head bolt	M8x50	1
35	TS-1540061	Nut	M8	2
36	GB879-5x40	Pin	5x40	1
37	GH1440A-22704	Connecting Shaft		1
38	GH1440A-22101	Fork		1
39	GB91-2x20	Pin	2x20	1
40	TS-1524041	Set screw	M8x16	1
41	GH1440K-22708-G	Cover		1
42	GH1440K-22706	Butt Nail Support		2
43	GB117-5x20	Pin	5x20	2
44	TS-1503041	Hexagon socket head screw	M6x16	4
45	GH1440K-22705	Driving Shaft-Longer		1
46	GB879-5x30	Pin	5x30	3
47	GH1440A-22707	Driving Shaft		1
48	GH1440A-01723-G	Cover		2
49	GH1440K-22701A	Brake Pedal		1
50	GH1440K-01717-G	Stand Front		1
51	PROMAC	Logo		1
52	GH1440K-18712-G	Cover		1
53	TS-2245242	Hexagon socket head screw	M5x25	2
54	GH1440K-18701B-G	Cover		1
	LXW5-11Ni	Microswitch		1

# End Gear Assembly

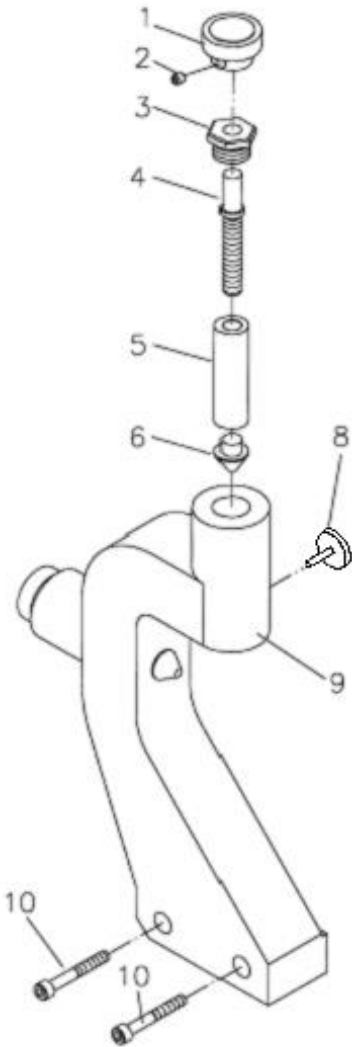




## End Gear Assembly

IndexPart No. No.	Description	Size	Quantity
3..... TS-1502041 .....	Hex Socket Cap Screw .....	M5x16.....	1
4..... 05-41.....	washer .....		1
5..... 04-50.....	Gear.....	25T .....	1
6..... GH1440K-05104.....	Quadrant.....		1
7..... GB-1096-79-5x14.....	Key .....	5x14.....	1
8..... 05-43.....	Thread Shaft.....		1
9..... 05-45.....	Collar .....		1
10..... BB-6103.....	Bearing .....	6103 .....	2
11..... GB893.1-86-35 .....	Retaining Ring.....	35 .....	2
12..... 05-65.....	Gear.....	120/127 .....	1
13..... 05-44.....	Washer .....		1
14..... TS-1540071 .....	Nut .....	M10 .....	1
15..... TS-1540081 .....	Nut.....	M12 .....	1
16..... GH1440K-E16 .....	Washer .....		1
17..... GH1440K-05720.....	Stud .....		1
18..... GB1096-79-5x14 .....	Key .....	5x14.....	1
19..... 05-41.....	Gear.....	50T .....	1
20..... 05-42.....	Washer .....		1
21..... TS-1503041 .....	Hex Socket Cap Screw .....	M6x16.....	8
24..... GH1440K-05106-G.....	Front Plate .....		1
27..... GH1440K-05105-G.....	Rear side plate .....		1
27A ..... TS-1504041 .....	Hex Socket Cap Screw .....	M8x20.....	4
29..... ZX-08712 .....	Upper Hinge .....		2
30..... ZX-H223 .....	Pin .....	6h8x40.....	2
31..... ZX-08711 .....	Lower Hinge .....		2
32..... GH1440K-05502-G.....	Back Cover .....		1
33..... TS-2245102.....	Hex Socket Cap Screw .....	M5x10.....	4
33B ..... TS-2361051 .....	Flat Washer .....	5.....	4
33A ..... TS-1550031 .....	Washer .....	5.....	4
34..... GH1440K-05722-G.....	Bracket .....		1
35..... TS-2246082.....	Screw .....	M6x8.....	2
35A ..... TS-1550041 .....	Washer .....	6.....	2
36..... ZH-SQ1.....	Door Switch Assembly .....		1
36A ..... QKS8-2 .....	Door Switch .....		1
36B ..... QKS8-1 .....	Door Switch .....		1
37..... TS-1540021 .....	Hex Nut.....	M4 .....	4
38..... GB818-M4x40 .....	Cross Recessed Pan Head Screw ..	M4x40.....	2
39..... GHB1340A-18703A.....	Bracket .....		1
40..... GB818-M4x12 .....	Screw.....	M4x12 .....	2
41..... TS-1551021 .....	Spring Washer.....	4.....	1
42..... TS-1550021 .....	Flat Washer .....	4.....	4

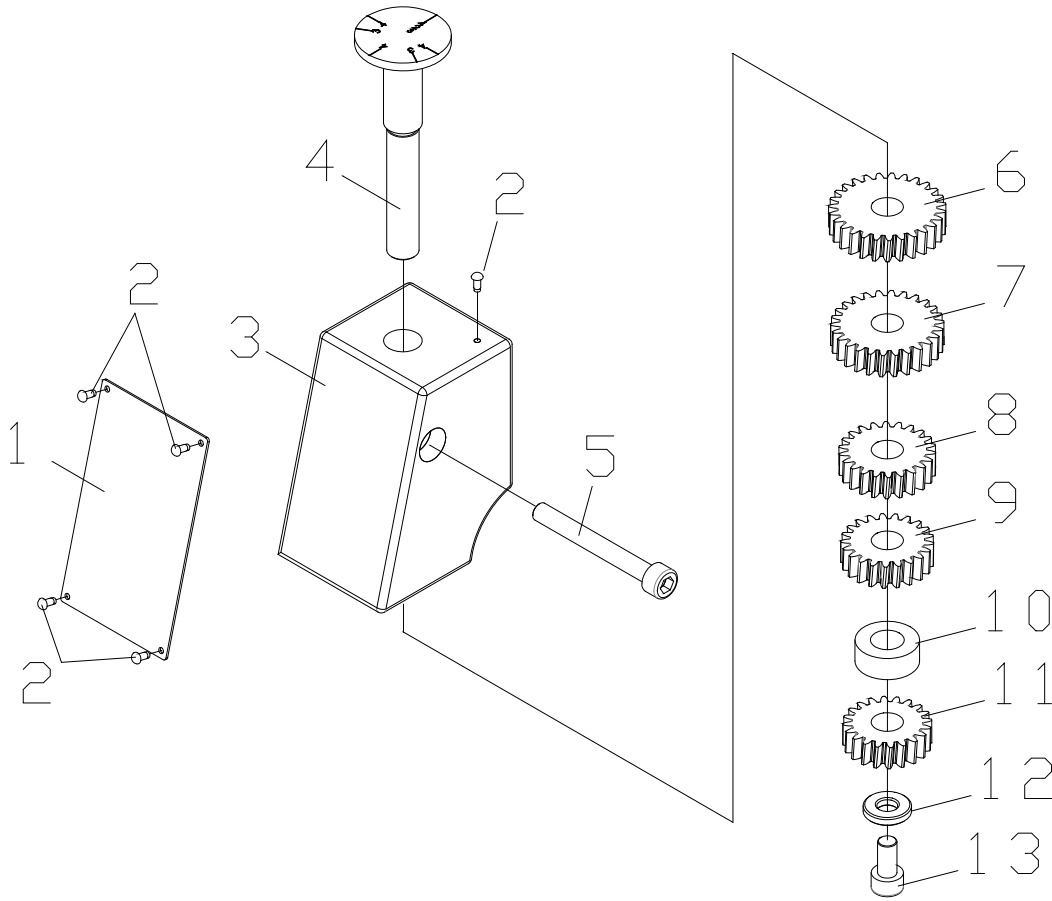
### Follow Rest



### Follow Rest

Index No.	Part No.	Description	Size	Qty
.....	GH1440K-FRA-B	Follow Rest Assembly (#1 thru 10)	.....	.....
1	GH1440-09-02	Knob	.....	2
2	TS-1523011	Socket Set Screw	M6x6	2
3	10B-04	Bushing	.....	2
4	10B-05	Screw	.....	2
5	10B-02	Sleeve	.....	2
6	10B-06	Brass Finger	.....	1
8	GH1440K-10709J	Socket Set Screw	.....	2
9	GH1440-09-01-B	Follow Rest Body	.....	1
10	TS-1503101	Hex Socket HdCap Screw	M8x45	2

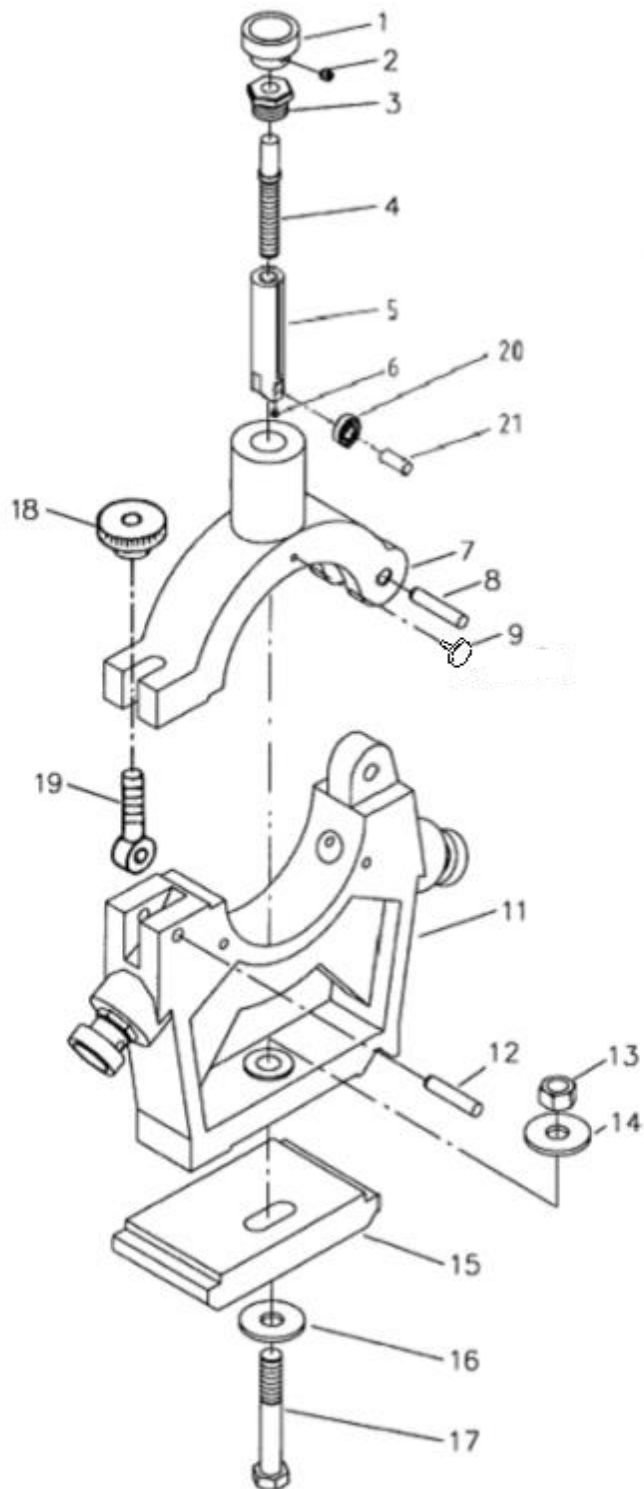
### Thread Dial Assembly



### Thread Dial Assembly

Index No.	Part No.	Description	Size	Qty
	GH1440K-TDA-B	Thead Dial Assembly (includes #1 thru 9)		1
1	GH-1440K11305-3	Label		1
2	GB827-2x5	Rivet	2x5	5
3	GH1340A11101-B	Body		1
4	GH1440K11701Jm	Shaft		1
5	TS-1503111	Hex Socket Cap Screw	M6x50	1
6	GH1340A11303-5	Gear	27T	1
7	GH1340A11303-4	Gear	26T	1
8	GH1340A11303-3	Gear	22T	1
9	GH1340A11303-2	Gear	21T	1
10	GH1340A11702	Collar		1
11	GH1340A11303-1	Gear	20T	1
12	GH1340A11703	Washer		1
13	TS-1503031	Hex Socket Cap Screw	M6x12	1

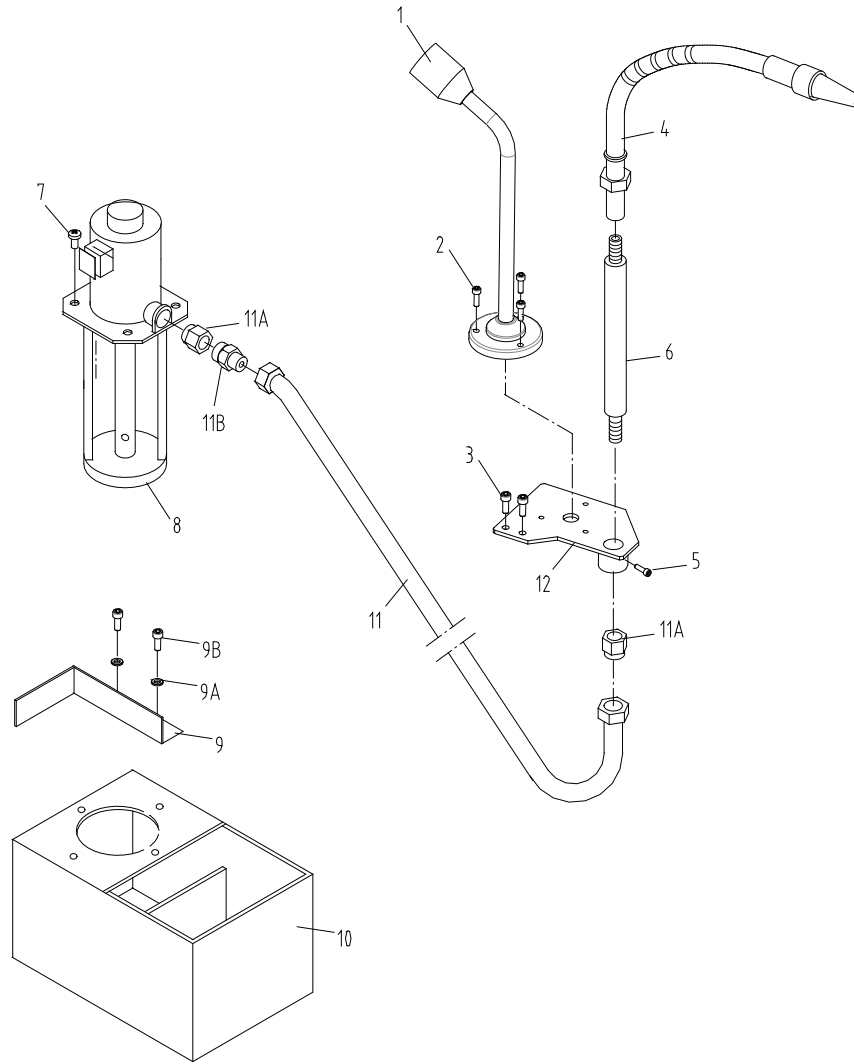
# Steady Rest



## Steady Rest

Index No.	Part No.	Description	Size	Qty
	GH1440K-SRA-B	Steady Rest Assembly (#1 thru 21)		1
1	GH1440-09-02	Knob		3
2	TS-1523011	Socket Set Screw	M6x6	3
3	10A-05	Bushing		3
4	10A-06	Screw		3
5	GH1440K-10704	Sleeve		3
7	10A-03-B	Steady Rest Upper Body		1
8	F004047	Dowel Pin	8x40 mm	1
9	GH1440K-10709J	Screw		3
11	GH1440-10-01-B	Steady Rest Lower Body		1
12	10A-02	Lock Pin		1
13	TS-1540081	Hex Nut	M12	1
14	TS-1550081	Washer	12 mm	1
15	GH1440-10-02	Clamp Plate		1
16	TS-1550081	Flat Washer	12 mm	1
17	TS-1492081	Hex Cap Bolt	M12x80	1
18	GH1440K-1618	Knurled Thumb Knob		1
19	GH1440K-1619	Pivot Stud		1
20	BB-606	Ball Bearing	606	3
21	GB119-6x18	Pin	6x18 mm	3

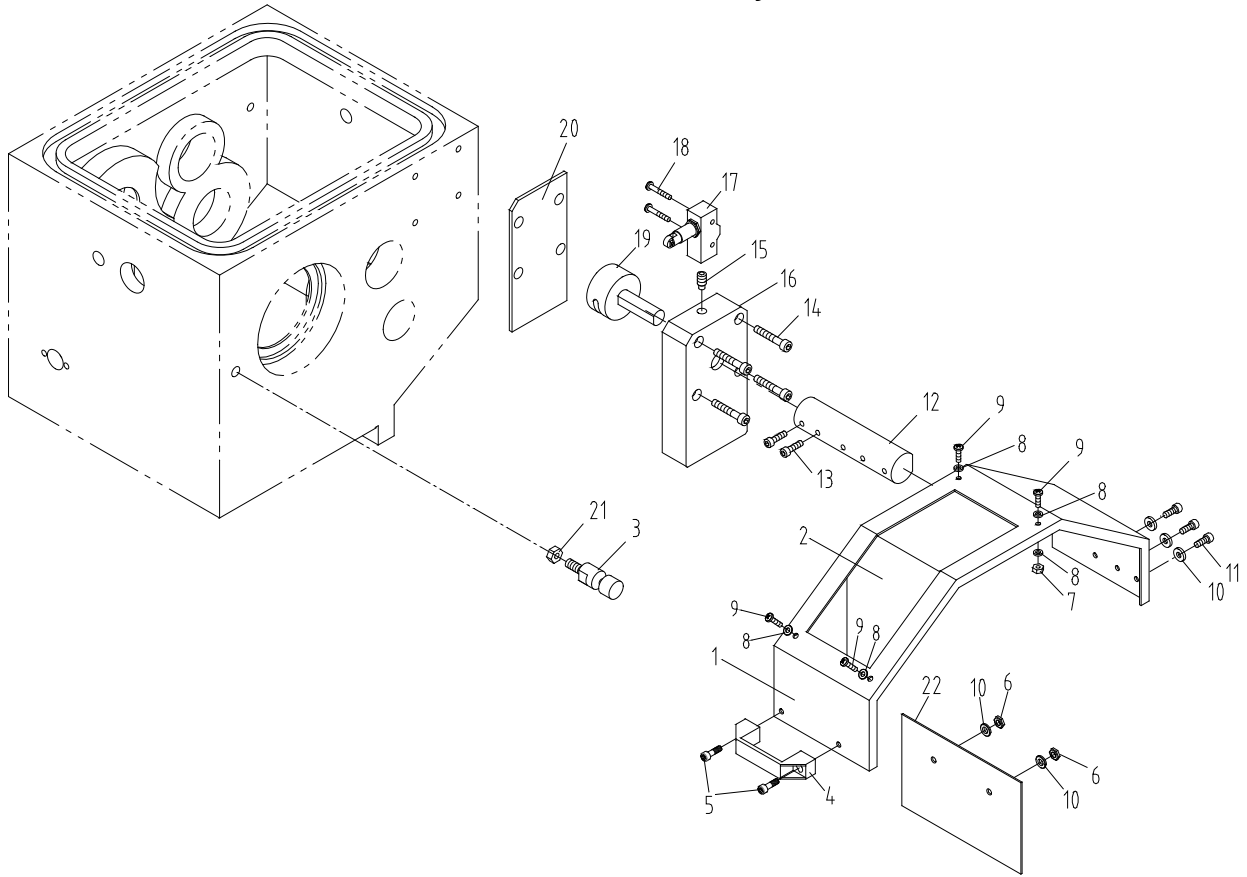
## Coolant and Work Light Assembly



## Coolant and Work Light Assembly

Index No.	Part No.	Description	Size	Qty
1	GHB1340-EL	Work Light		1
2	TS-1503051	Hex Socket HdCap Screw	M6x20	3
3	TS-1502051	Hex Socket HdCap Screw	M5x20	3
4	GH1440K-1704	Coolant Nozzle	C2-77	3
5	TS-1503041	Hex Socket HdCap Screw	M6x16	1
6	GHB1440A01739	Rubber Tube		1
7	TS-2246102	Pan Head Screw	M6x10	4
8	ZXCW04E	Coolant Pump	3PH	1
9	GH1440K-C09-G	Iron		1
9B	TS-2246162	Hex Socket Cap Screw	M6X16	2
9A	TS-1550041	Washer	6	2
10	GH1440K-01715	Coolant Tank		1
11	GH1440K-1711	Tube	600 mm	1
11A	GH1440K-1711A	Pipe Joint		1
11B	GH1440K-1711B	Pipe Joint		1
12	GH1440K-18711	Support		1

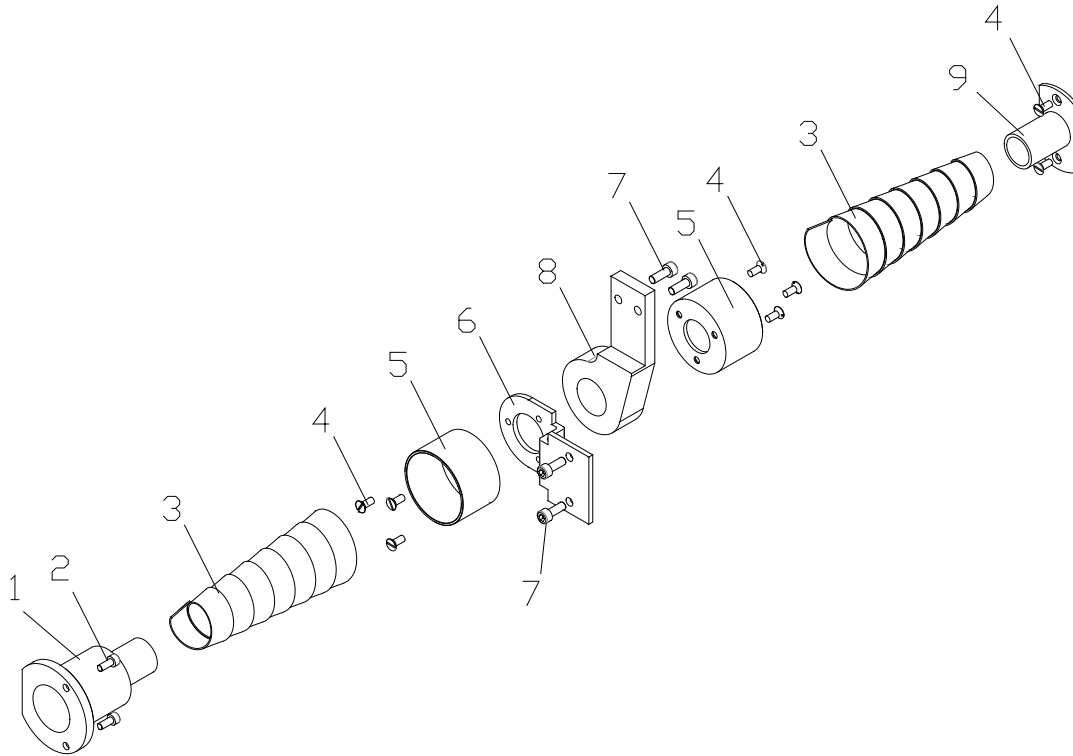
## Chuck Guard Assembly



### Index.. Part

No.	No.	Description	Size	Qty.
1	GHB1340A-19701E-B	ProtectingGuard		1
2	GHB1340A-19501E	ProtectingGuard Visual Glass		1
3	ZX-19704E	Fixing Rod		1
4	A=90 Black	Handle		1
5	TS-1503031	Hex Socket Cap Screw	M6x12	2
6	TS-1540041	Hexagon Nut	M6	2
7	TS-1540021	Hexagon Thin Nut	M4	4
8	TS-1550021	FlatWasher	4	8
9	TS-2244102	Cross Point Pan Head Screw	M4x10	4
10	TS-1550041	FlatWasher	6	5
11	TS-2246162	Hex Socket Cap Screw	M6x16	3
12	GHB1340A-19703E	Rest Bar		1
13	TS-1524021	Slotted Set Screw	M8x10	2
14	TS-1503071	Hex Socket Cap Screw	M6x30	4
15	TS-1524041	Hex Socket Set Screw	M8x16	1
16	GH1440A-19101E	Switch Box		1
17	GHB1340A-SG17	Stroke Switch	LXW5-11Q1	1
18	GHB1340A-SG18	Slotted Pan Head Screw	M4x25	2
19	GHB1340A-19702E	Shaft		1
20	ZX-19502E	Gasket		1
21	TS-1540061	Nut	M8	1
22	GH1440K-19705A-B	Board		1
	GH1440K-SQ1	Brake Switch	TM1701	1

## Lead Screw Cover Assembly

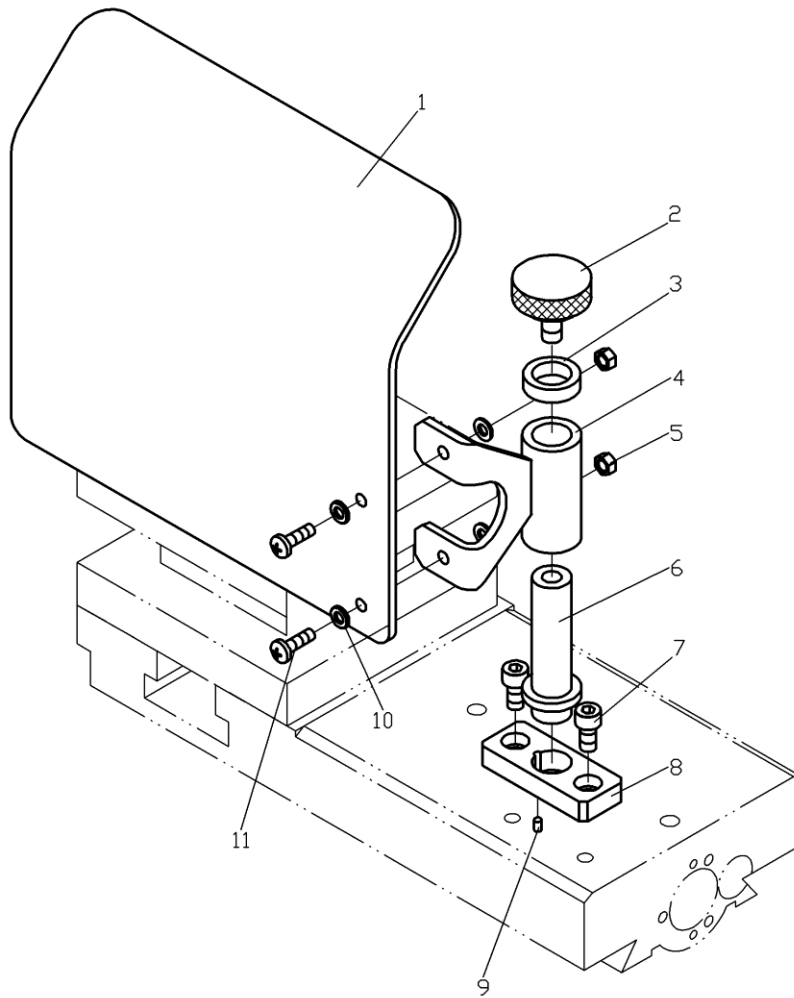


## Lead Screw Cover Assembly

Index No.	Part No.	Description	Size	Qty
1	GH1440K-14701A	Left Flange		1
2	TS-1502031	Hex Socket HdCap Screw	M5x12	2
3	LGB 28-900-70	Telescoping Sleeve		2
4	TS-2285121	Phillips Flat Head Machine Screw	M5x12	8
5	GH1440A-14702	Cover		2
6	GH1440K-14702	Left Flange Bracket		1
7	TS-1503041	Hex Socket HdCap Screw	M6x16	4
8	GH1440K-14101	Right Flange Bracket		1
9	GH1440A-14703	Right Flange		1

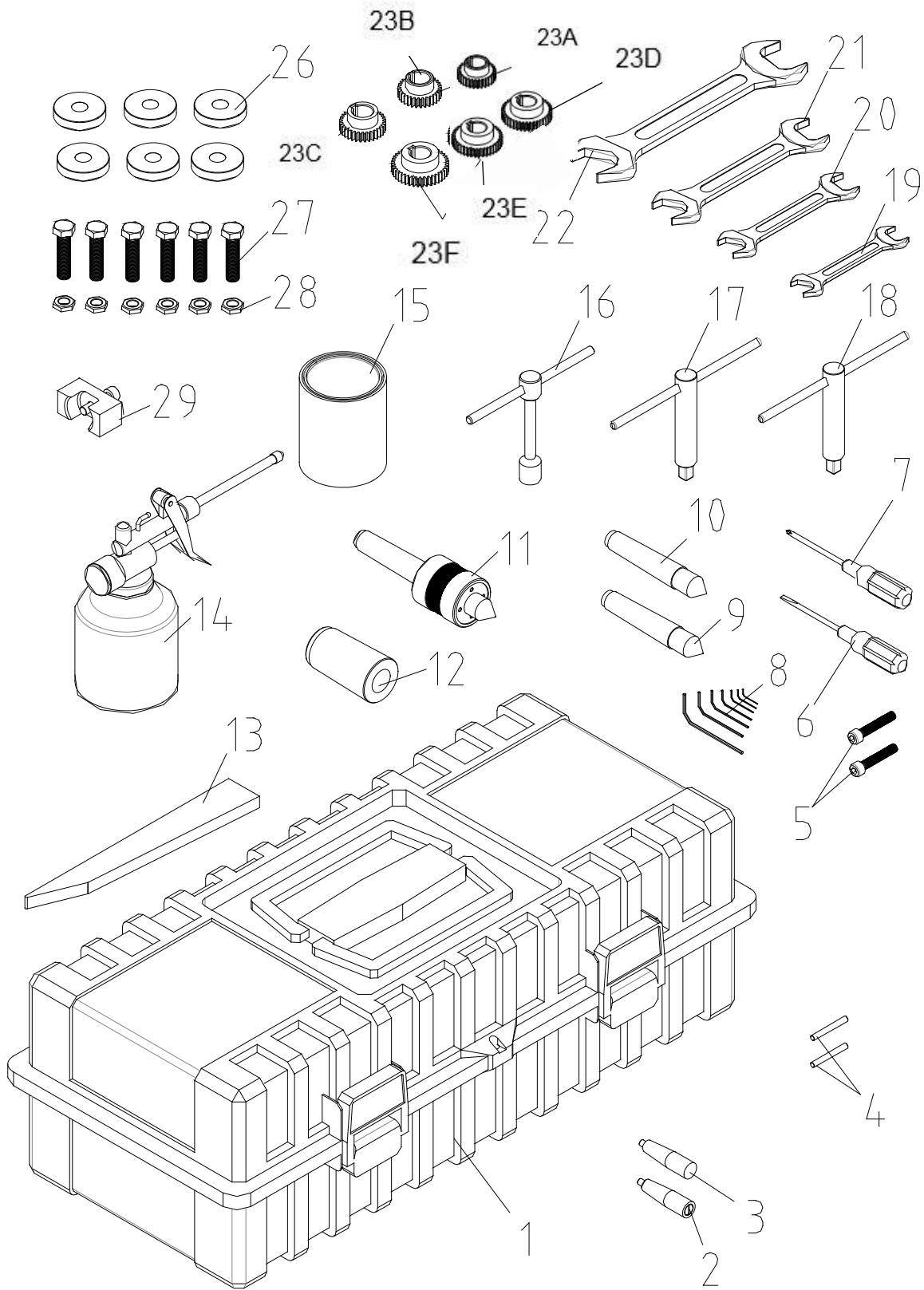


## Tool Post Guard



Index No.	Part No.	Description	Size	Qty.
1	GH1440K-TP01	Shield		1
2	GH1440A-20701	Clamping Screw		1
3	GH1440A-20703	Spacer		1
4	GH1440A-20704	Sleeve		1
5	TS-1540031	Nut	M5	2
6	GH1440A-20705-1	Bracket		1
7	TS-1503031	Hex Socket Cap Screw	M6x12	2
8	GH1440A-20705-2	Bracket		1
9	TS-1521031	Slotted Set Screw	M4x8	1
10	TS-1550031	Flat Washer	5	4
11	TS-2245202	Hexagon socket cap head screws	M5x20	2

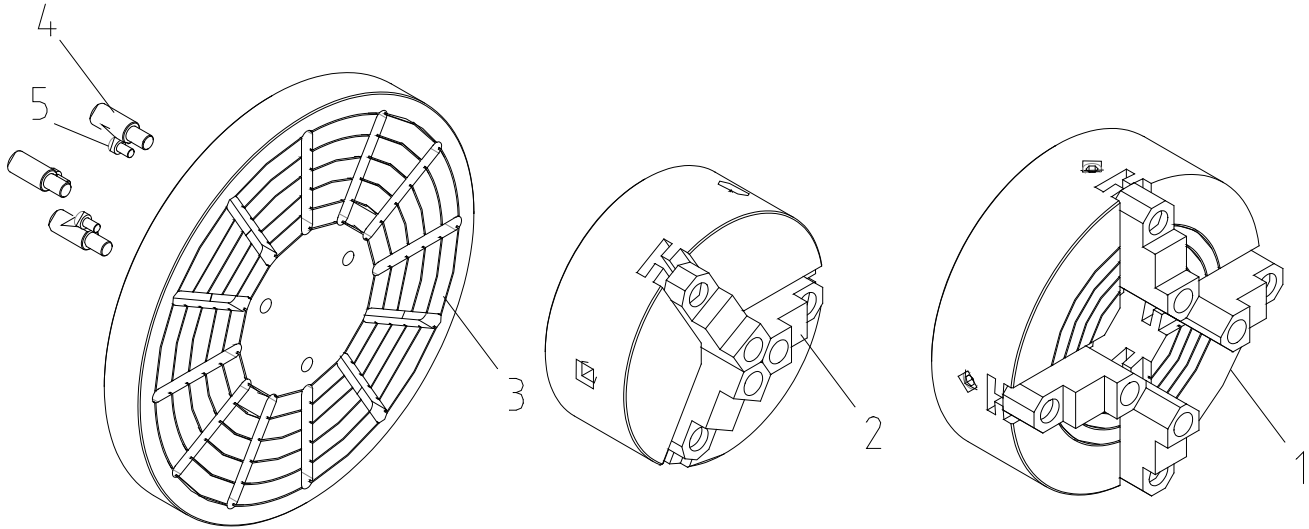
# Accessories!



## Accessories

Index No.	Part No.	Description	Size	Qty
1	GH1440K-A01	Tool Box		1
2	GH1440-06-11	Handle Sleeve		1
	GH1440-06-10	Handle Lever		1
3	GH1440A-06719	Handle Sleeve		1
4	GB879-4x35	Shear Pins	4X35	2
5	TS-1504091	Hex Socket Cap Screw	M8X45	2
6	GH1440K-A06	No. 1 Flat Blade Screwdriver		1
7	GH1440K-A07	No. 1 Cross Point Screwdriver		1
8	GH1440K-A08	Hex Key	2,2.5, 3, 4, 5, 6, 8mm	7
9	C0632-09703	Dead Center	MT-3(Alloy)	1
10	C0632-09702	Dead Center	MT-3	1
11	GH1440K-A11	Live Center	MT-3	1
12	C0632-09701	Spindle Sleeve	No. 5 to No. 3	1
13	1440R-F001	Taper Piece		1
14	GH1440K-A14	Oil Gun		1
15	GH1440K-A15	Paint Can		1
16	C0632-04726	Rod Of Tool Post Wrench		1
	C0632-04727	Tool Post Wrench		1
17	C0632-09705	Rod Of The Key for Cam Locks		1
	C0632-09704	Key for Cam Locks		1
18	GH1440K-A18	Chuck Key		1
19	GH1440K-A19	Open End Wrench	9-11mm	1
20	GH1440K-A20	Open End Wrench	10-12mm	1
21	GH1440K-A21	Open End Wrench	12-14mm	1
22	GH1440K-A22	Open End Wrench	17-19mm	1
23A	GH1440K-G24T	Change Gear	24T	1
23B	GH1440K-G32T	Change Gear	32T	1
23C	GH1440K-G40T	Change Gear	40T	1
23D	GH1440K-G65T	Change Gear	65T	1
23E	GH1440K-G66T	Change Gear	66T	1
23F	GH1440K-G70T	Change Gear	70T	1
26	GH1440K-01720	Leveling Pads		6
27	GH1440K-01721	Leveling Bolts		6
28	TS-1540081	Hex Thin Nut	M12	6
29	GH-1440K01727Jm	Temperature Relay		1
	TS-1502051	Hex Socket Cap Screw	M5X20	1

## AccessoriesII



## AccessoriesII

Index No.	Part No.	Description	Size	Qty
1	K72 200/D4	Four Jaw Chuck with Camlock Stud	8"	1
2	K11 160A/D4	Three Jaw Chuck with Camlock Stud(Direct Mount)	6"	1
3	C0632-09101	Face Plate	12"	1
4	C0632-02722	Camlock Stud		3
5	TS-1503021	Hex Socket Cap Screw	M6X10	3

## Electrical Components

Index No.	Part No	Description	Size	Qty.
KM1	GH1440K-KM1	Magnetic Starter	LC1-D2501	1
KM2	GH1440K-KM2	Magnetic Starter	LC1-D2501	1
KM3	GH1440K-KM3	Coolant Pump Contactor	CA2-DN40B7	1
KA1	GH1440K-KA1	Control Contactor	CA2-DN40B7	1
QF2	GH1440K-QF2	Breaker	DZ47-63	1
QF3	GH1440K-QF3	Breaker	DZ47-63	1
FR1	GH1440K-FR1	Motor Overload Relay	LR2-D1310N	1
FR2	GH1440K-FR2	Motor Overload Relay	LR2-D1302N	1
TC	GH1440K-TC	Transformer	JBK5-100TH	1
SQ2	GH1440K-SQ2	Door Switch	QKS8	1
QS1	GH1440K-QS1	Power On/Off Switch	VCD0	1
SQ1	GH1440K-SQ1	Brake Switch	TM-1701	1
SB1	GH1440K-SB1	Off Switch	ZB2-BS54C	1
SB2	GH1440K-SB2	Jog Switch	ZB2BA3C	1
HL	GH1440K-HL	Power Indicator Light	XB7-EVF3LC	1
SA2	GH1440K-SA2	Coolant Pump Switch	ZB2-BD2C	1
SQ3	GH1440K-SQ3	Forward Switch	TM1306	1
SQ4	GH1440K-SQ4	Reverse Switch	TM1306	1
SQ5	GH1440K-SQ5	Chuck Switch	TM1308	1
EL	GH1440K-EL	Lamp	JC34A	1
M1	GH1440-M1-3	Main Motor	400V	1
M2	ZXCW04E	Coolant Pump	3PH	1
	FSWWT-1.0m	Flexible Stainless Wire Woven Tube for Protecting DRO Cable	M20×1.5-1.0m	1
	FSWWT-0.6m	Flexible Stainless Wire Woven Tube for Protecting Chuck Guard Cable	M20×1.5-M20×1.5-0.6m	1

