

# PROMAC<sup>®</sup>

06-2017

**Milling drilling centre  
Bohr- Fräsmaschine  
Perceuse fraiseuse**

**PBM-1839BDV**



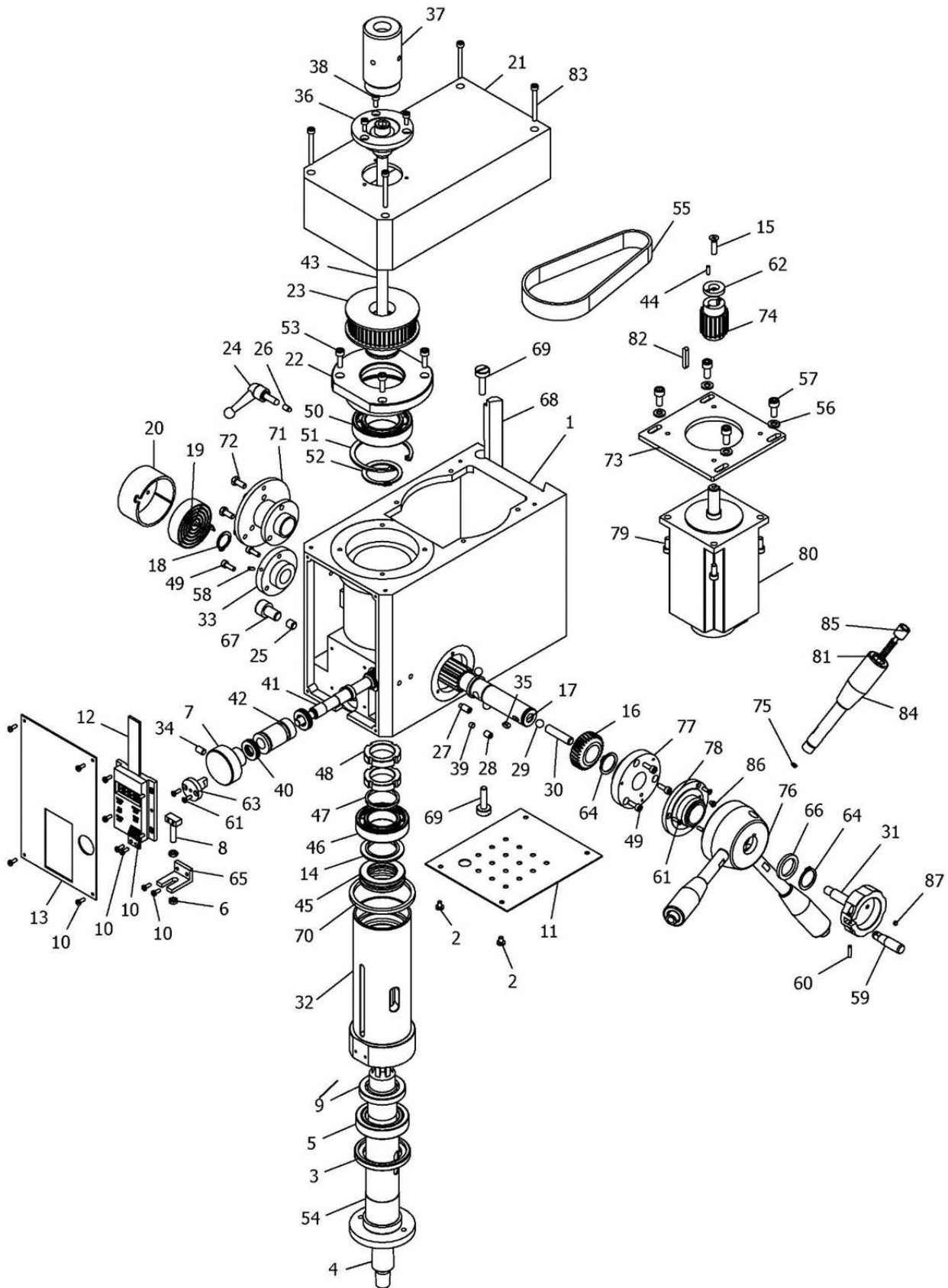
# CE

Schweiz / Suisse  
**JPW (TOOL) AG**  
Tämperlistrasse 5  
CH-8117 Fällanden Switzerland  
[www.promac.ch](http://www.promac.ch)

France  
**TOOL France / PROMAC**  
57, rue du Bois Chaland, Z.I. du Bois Chaland  
case postale 2935 FR-91029 Evry Cedex  
[www.promac.fr](http://www.promac.fr)

# 14.0 Replacement Parts

## PBM-1839BDV Assembly Breakdown -1



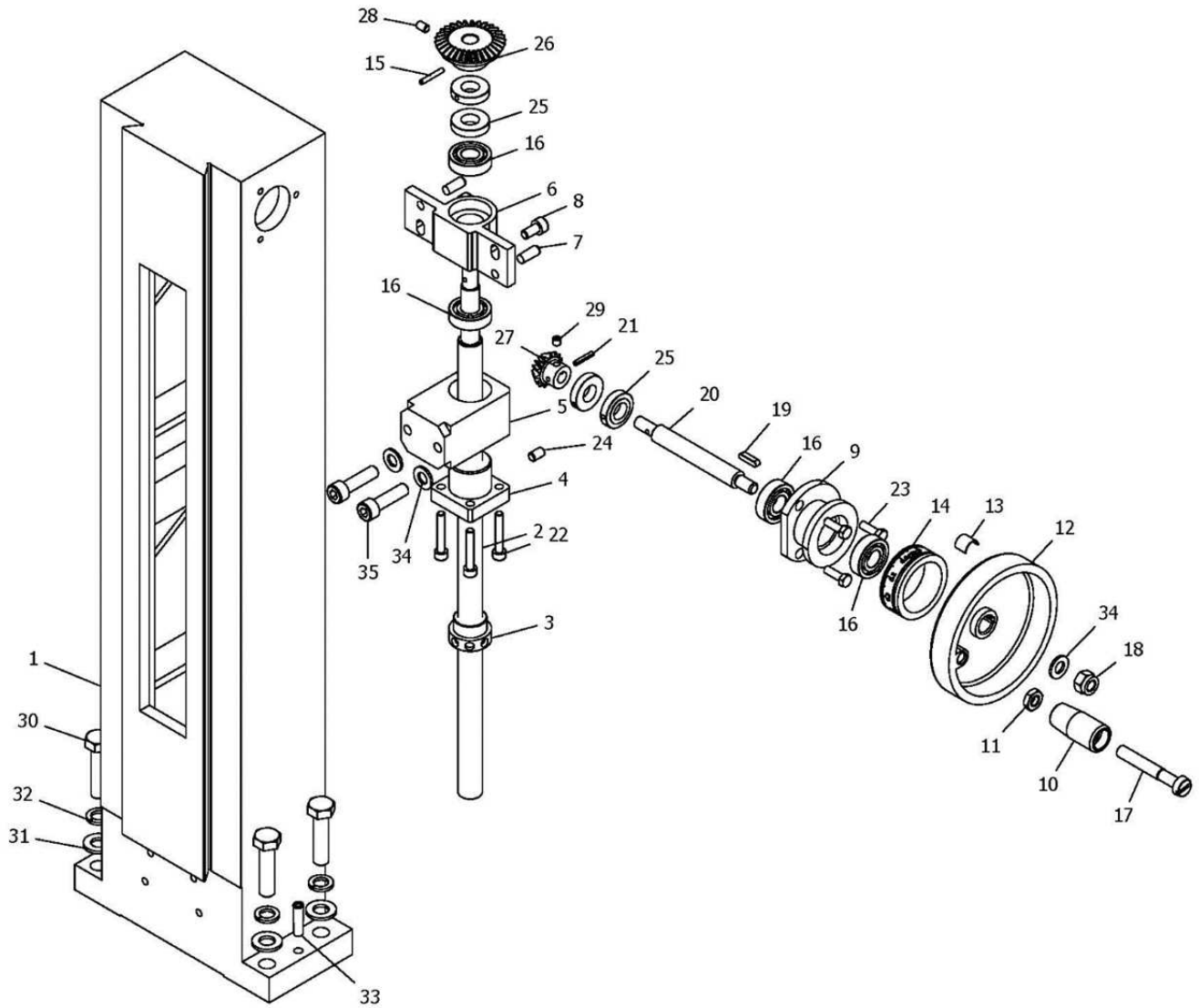
**PBM-1839BDV Parts List for Breakdown -1 (1/2)**

| <b>Index No.</b> | <b>Part No.</b> | <b>Description</b>                    | <b>Size</b> | <b>Qty.</b> |
|------------------|-----------------|---------------------------------------|-------------|-------------|
| 1                | PBM1839BDV-1-01 | SPINDLE BOX                           |             | 1           |
| 2                | GB81885-4-6     | PHILLIPS HD SCREW                     | M4 x 6 mm   | 2           |
| 3                | JMDX2S-1-03     | SPINDLE BELOW OIL SEAL RING I         |             | 1           |
| 4                | JMDX2S-1-04     | B16 TAPER SHANK                       |             | 1           |
| 5                | TRB-32907       | TAPERED ROLLER BEARING                | 32907       | 1           |
| 6                | GB617286-5      | HEX NUT (THIN)                        | M5          | 2           |
| 7                | JMDX2S-1-07     | FINE FEEDING HANDWHEEL                |             | 1           |
| 8                | JMDX2S-1-08     | DISPLAY FIXED SQUARE SCREW            |             | 1           |
| 9                | JMDX2S-1-09     | SPINDLE SLEEVE BELOW OIL SEAL RING II |             | 1           |
| 10               | GB81885-3-8     | PHILLIPS HD SCREW                     | M3 x 8 mm   | 12          |
| 11               | JMDX2S-1-11A    | BASE PLATE                            |             | 1           |
| 12               | JMDX2S-1-12     | DIGITAL DISPLAY MODULE                |             | 1           |
| 13               | PBM1839BDV-1-13 | PANEL                                 |             | 1           |
| 14               | JMDX2S-1-14     | UP WASHER II                          |             | 1           |
| 15               | GB81985-5-20    | CROSS RECESSED FLAT HD SCREW          | M5 x 20     | 1           |
| 16               | JMDX2S-1-16     | BEVEL GEAR                            |             | 1           |
| 17               | JMDX2S-1-17     | GEAR SHAFT                            |             | 1           |
| 18               | GB8941-16       | CIRCLIP FOR SHAFT                     | 16          | 1           |
| 19               | JMDX2S-1-19     | CLOCK SPRING                          |             | 1           |
| 20               | JMDX2S-1-20     | CLOCK SPRING COVER                    |             | 1           |
| 21               | PBM1839BDV-1-21 | SPINDLE BOX COVER                     |             | 1           |
| 22               | JMDX2S-1-22     | BEAR SEAT                             |             | 1           |
| 23               | JMDX2S-1-23     | SPINDLE TIMING BELT                   |             | 1           |
| 24               | JMDX2S-1-24     | SMALL HANDLE ASSEMBLY                 |             | 1           |
| 25               | JMDX2S-1-25     | SPINDLE SLEEVE LOCKING SHAFT          |             | 1           |
| 26               | JMDX2S-1-26     | TIGHTEN THE TOP ROD                   |             | 1           |
| 27               | GB7985-6-14     | SET SCREW (CYLINDER END)              | M6 x 14 mm  | 1           |
| 28               | GB7785-6-8      | SET SCREW (FLAT END)                  | M6 x 8 mm   | 1           |
| 29               | GB30889-8       | STELL BALL                            | 8 mm        | 3           |
| 30               | JMDX2S-1-30     | LOCKING SMALL SHAFT                   |             | 1           |
| 31               | JMDX2S-1-31     | WORM LOCKING HANDLE                   |             | 1           |
| 32               | JMDX2S-1-32     | SPINDLE SLEEVE                        |             | 1           |
| 33               | JMDX2S-1-33     | SHAFT GEAR LEFT SUPPORT FLANGE        |             | 1           |
| 34               | GB7785-6-10     | SET SCREW (FLAT END)                  | M6 x 10 mm  | 1           |
| 35               | GB109679-4-8    | FLAT KEY                              | 4 x 8 mm    | 1           |
| 36               | JMDX2S-1-36     | SPINDLE UP DUST GUARD I               |             | 1           |
| 37               | JMDX2S-1-37     | SPINDLE UP DUST GUARD II              |             | 1           |
| 38               | GB7085-4-10     | SOCKET HD SCREW                       | M4 x 10 mm  | 3           |
| 39               | JMDX2S-1-39     | ECCENTRIC SLEEVE LOCKING BLOCK        |             | 1           |
| 40               | TBB-57001       | THRUST BALL BEARING                   | 12 x 22 x 5 | 2           |
| 41               | JMDX2S-1-41     | WORM SHAFT                            |             | 1           |
| 42               | JMDX2S-1-42     | WORM ECCENTRIC SLEEVE                 |             | 1           |
| 43               | JMDX2S-1-43     | LOCKING BOLT ASSEMBLY                 |             | 1           |
| 44               | GB11986A-3-10   | ROUND PIN                             | 3 x 10      | 1           |
| 45               | TBB-51106       | THRUST BALL BEARING                   |             | 1           |
| 46               | BB-6006ZZ       | BALL BEARING                          | 6006ZZ      | 1           |
| 47               | JMDX2S-1-47     | UP WASHER                             |             | 1           |
| 48               | JMDX2S-1-48     | SLOTTED ROUND NUT                     |             | 2           |
| 49               | GB7085-4-12     | SOCKET HD SCREW                       | M4 x 12 mm  | 6           |

## PBM-1839BDV Parts List for Breakdown -1 (2/2)

| Index No. | Part No.         | Description                     | Size            | Qty. |
|-----------|------------------|---------------------------------|-----------------|------|
| 50        | BB-6007ZZ        | BALL BEARING                    | 6007ZZ          | 1    |
| 51        | GB8931-62        | CIRCLIP FOR HOLE                | 62              | 1    |
| 52        | GB8941-35        | CIRCLIP FOR SHAFT               | 35              | 1    |
| 53        | GB7085-5-16      | SOCKET HD SCREW                 | M5 x 16 mm      | 4    |
| 54        | JMDX2S-1-54      | SPINDLE                         |                 | 1    |
| 55        | JMDX2S-1-55      | TIMING BELT                     | HTD-385 Z77     | 1    |
| 56        | GB97185-6        | WASHER                          | 6               | 4    |
| 57        | GB7085-6-14      | SOCKET HD SCREW                 | M6 x 14 mm      | 4    |
| 58        | GB87986-3-8      | ROLL PIN                        | 3 x 8 mm        | 2    |
| 59        | JMDX2S-1-59      | ASSIST SMALL HANDLE             |                 | 1    |
| 60        | GB11986A-3-14    | ROUND PIN                       | 3 x 14 mm       | 1    |
| 61        | GB81985-3-10     | CROSS RECESSED FLAT HD SCREW    | M3 x 10 mm      | 5    |
| 62        | JMDX2S-1-62      | WASHER                          |                 | 1    |
| 63        | JMDX2S-1-63      | SPINDLE SLEEVE POSITION SHAFT   |                 | 1    |
| 64        | GB8941-20        | CIRCLIP FOR SHAFT               | 20              | 2    |
| 65        | JMDX2S-1-65      | DISPLAY FIXED BRACKET           |                 | 1    |
| 66        | JMDX2S-1-66      | ROUND GEAR SHAFT ADJUST WASHER  |                 | 1    |
| 67        | GB7085-10-16     | SOCKET HD SCREW                 | M10 x 16 mm     | 1    |
| 68        | JMDX2S-1-68      | BEVEL WEDGE                     |                 | 1    |
| 69        | JMDX2S-1-69      | WEDGE SCREW                     |                 | 2    |
| 70        | JMDX2S-1-70      | SLEEVE LIMITED WASHER           |                 | 1    |
| 71        | JMDX2S-1-71      | ATTACHMENT BRACKET              |                 | 1    |
| 72        | GB578186-5-12    | HEX HD SCREW                    | M5 x 12 mm      | 3    |
| 73        | JMDX2S-1-73      | MOTOR SUPPORT PLATE             | 1/4" x 1/4"     | 1    |
| 74        | JMDX2S-1-74      | MOTOR TIMING PULLEY             | 1/4" x 1/4"     | 1    |
| 75        | GB89686-3        | E RING                          | 3 mm            | 3    |
| 76        | JMDX2S-1-76      | HANDLE SEAT                     |                 | 1    |
| 77        | JMDX2S-1-77      | SHAFT GEAR RIGHT SUPPORT FLANGE |                 | 1    |
| 78        | JMDX2S-1-78      | CONDUCTING RING ASSEMBLY        |                 | 1    |
| 79        | GB7085-5-12      | SOCKET HD SCREW                 | M5 x 12 mm      | 4    |
| 80        | JMDX2S-1-80      | MOTOR (DC-BRUSHLESS)            | 750W            | 1    |
| 81        | GB208980-08-6-25 | SPRING                          | 0.8 x 6 x 25 mm | 3    |
| 82        | GB109679-4-25    | FLAT KEY                        | 4 x 25 mm       | 1    |
| 83        | GB7085-4-40      | SOCKET HD SCREW                 | M4 x 40 mm      | 4    |
| 84        | JMDX2S-1-84      | CONTROL POLE ASSEMBLY           |                 | 3    |
| 85        | JMDX2S-1-85      | F/R CONTROL POLE ASSEMBLY       |                 | 3    |
| 86        | GB81885-3-4      | PHILLIPS HD SCREW               | M3 x 4 mm       | 1    |
| 87        | JMDX2S-1-87      | MAGNET                          |                 | 1    |

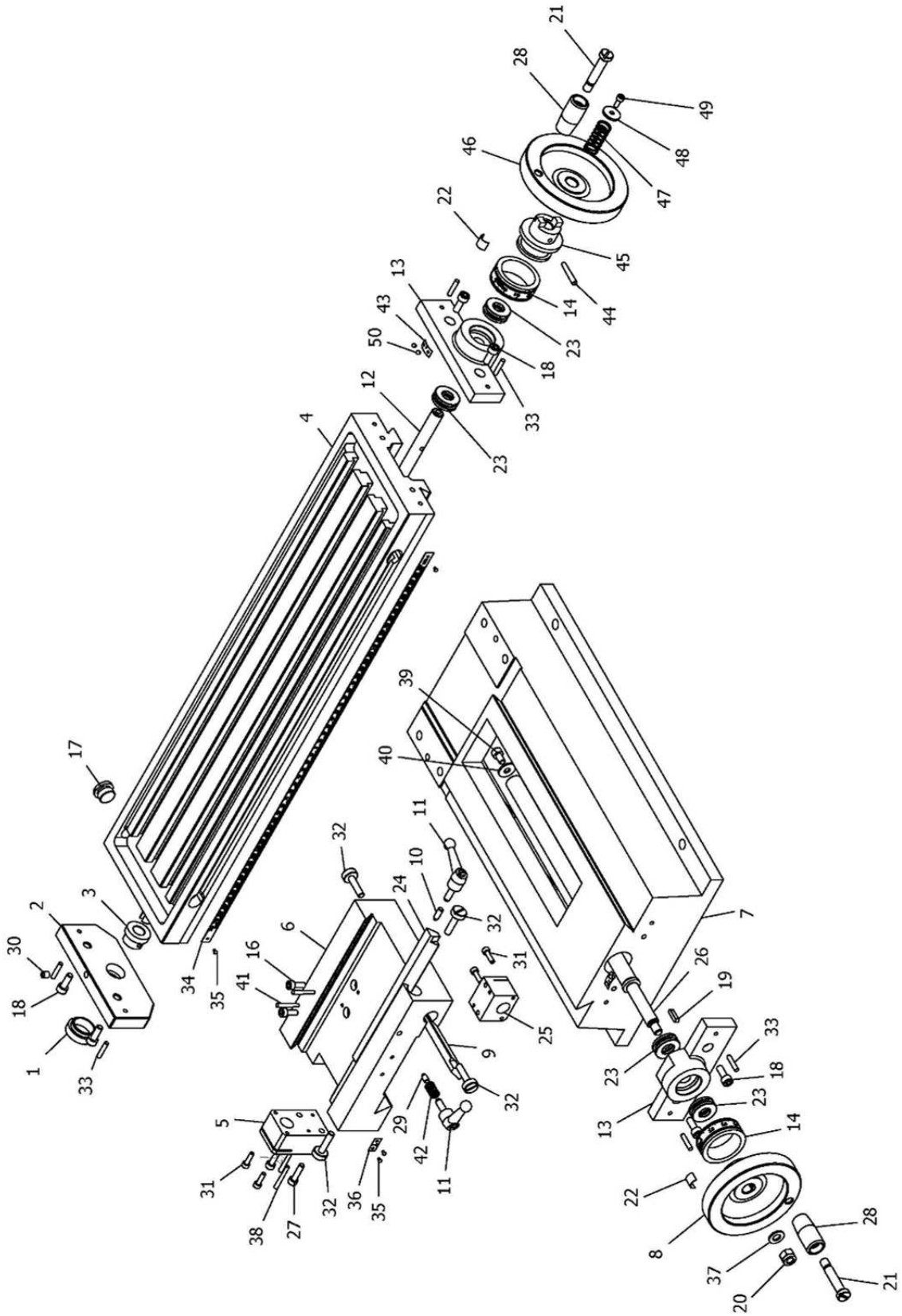
# PBM-1839BDV Assembly Breakdown -2



**PBM-1839BDV Parts List for Breakdown -2**

| <b>Index No.</b> | <b>Part No.</b> | <b>Description</b>                 | <b>Size</b> | <b>Qty.</b> |
|------------------|-----------------|------------------------------------|-------------|-------------|
| 1                | JMDX2S-2-01     | COLUMN                             |             | 1           |
| 2                | JMDX2S-2-02     | METRIC RISE AND DOWN LEADSCREW     |             | 1           |
| 3                | JMDX2S-2-03     | METRIC RISE AND DOWN LOCKING NUT   |             | 1           |
| 4                | JMDX2S-2-04     | METRIC RISE AND DOWN LEADSCREW NUT |             | 1           |
| 5                | JMDX2S-2-05     | COLUMN NUT SUPPORT                 |             | 1           |
| 6                | JMDX2S-2-06     | LEADSCREW SUPPORT                  |             | 1           |
| 7                | GB11886-6-16    | TAPER PIN WITH INTERNAL THREAD     | 6 x 16 mm   | 2           |
| 8                | GB7085-6-12     | SOCKET HD SCREW                    | M6 x 12 mm  | 2           |
| 9                | JMDX2S-2-09     | RISE AND DOWN SUPPORT SEAT         |             | 1           |
| 10               | JMDX2S-2-10     | HANDLE                             |             | 1           |
| 11               | GB617286-8      | HEX NUT (THIN)                     | M8          | 1           |
| 12               | JMDX2S-2-12     | HANDLE WHEEL                       |             | 1           |
| 13               | JMDX2S-2-13     | SPRING PIECE                       |             | 1           |
| 14               | JMDX2S-2-14     | METRIC RISE AND DOWN SCALE DIAL    |             | 1           |
| 15               | GB87986-3-20    | ROLL PIN                           | 3 x 20 mm   | 1           |
| 16               | BB-6001         | BALL BEARING                       | 6001        | 4           |
| 17               | GB6585-8-55     | SLOTTED LARGE CHEESE HD SCREW      | M8 x 55 mm  | 1           |
| 18               | GB88986-8       | HEX LOCKING NUT                    | M8          | 1           |
| 19               | GB109679-4-16   | FLAT KEY                           | 4 x 16 mm   | 1           |
| 20               | JMDX2S-2-20     | RISE AND DOWN SHAFT                |             | 1           |
| 21               | GB87986-3-16    | ROLL PIN                           | 3 x 16 mm   | 1           |
| 22               | GB7085-5-30     | SOCKET HD SCREW                    | M5 x 30 mm  | 4           |
| 23               | GB578186-5-16   | HEX HD SCREW                       | M5 x 16 mm  | 3           |
| 24               | GB7785-6-10     | SET SCREW (FLAT END)               | M6 x 10 mm  | 1           |
| 25               | JMDX2S-2-25     | LOCKING NUT                        |             | 4           |
| 26               | JMDX2S-2-26     | BIG BEVEL GEAR WHEEL               |             | 1           |
| 27               | JMDX2S-2-27     | SMALL BEVEL GEAR WHEEL             |             | 1           |
| 28               | GB7885-5-8      | SET SCREW (CONE END)               | M5 x 8 mm   | 1           |
| 29               | GB7885-5-5      | SET SCREW (CONE END)               | M5 x 5 mm   | 1           |
| 30               | GB578086-10-40  | HEX HD SCREW                       | M10 x 40 mm | 4           |
| 31               | GB97185-10      | WASHER                             | 10          | 4           |
| 32               | GB85987-10      | SPRING WASHER (LIGHT)              | 10          | 4           |
| 33               | GB11886-6-24    | TAPER PIN WITH INTERNAL THREAD     | 6 x 24 mm   | 2           |
| 34               | GB97185-8       | WASHER                             | 8           | 1           |
| 35               | GB7085-8-30     | SOCKET HD SCREW                    | M8 x 30 mm  | 2           |

PBM-1839BDV Assembly Breakdown -3

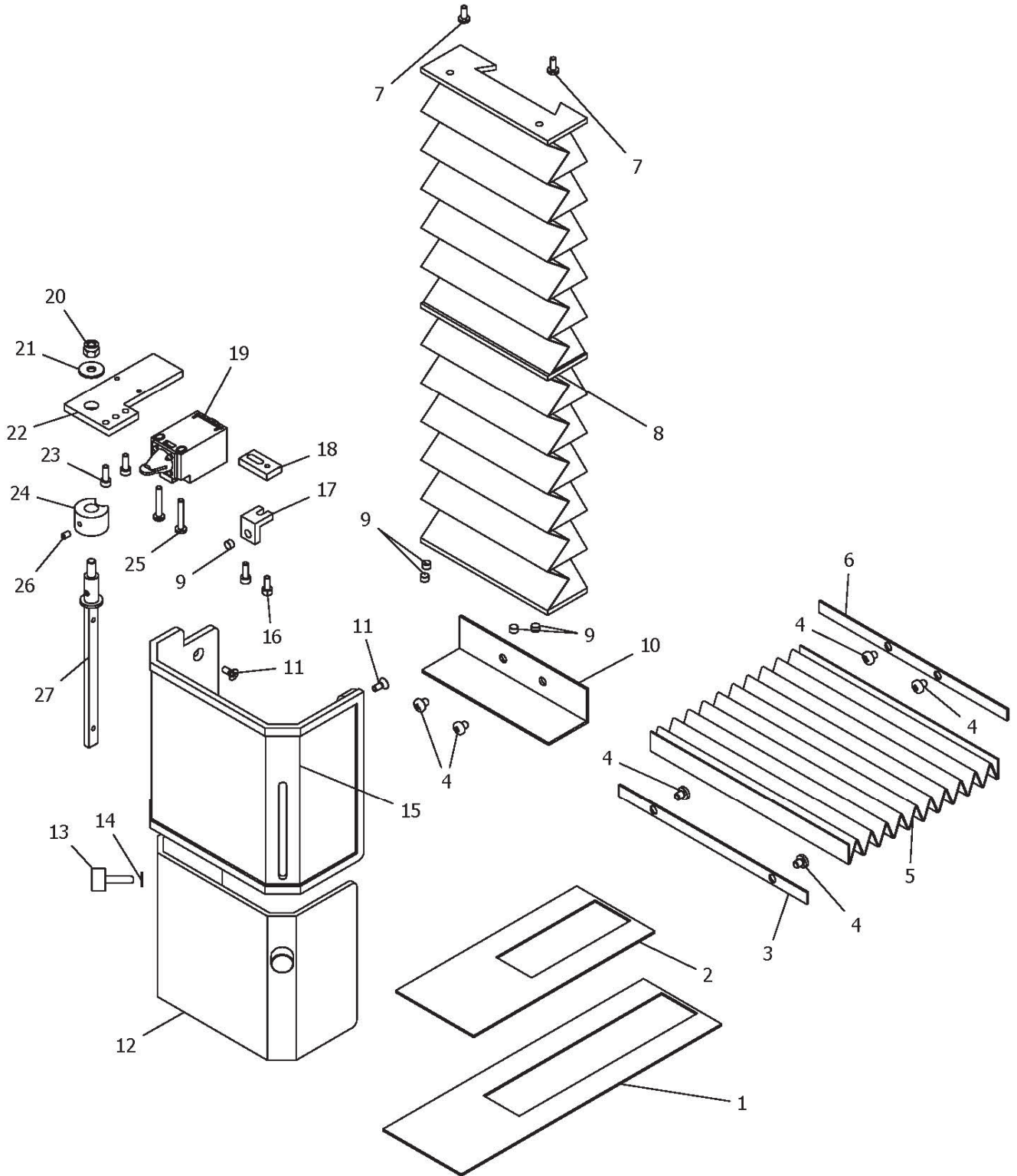


**PBM-1839BDV Parts List for Breakdown -3**

| <b>Index No.</b> | <b>Part No.</b> | <b>Description</b>                   | <b>Size</b> | <b>Qty.</b> |
|------------------|-----------------|--------------------------------------|-------------|-------------|
| 1                | JMDX2S-3-01     | COVER                                |             | 1           |
| 2                | JMDX2S-3-02     | BRACKET                              |             | 1           |
| 3                | JMDX2S-3-03     | SLEEVE                               |             | 1           |
| 4                | JMDX2S-3-04     | WORK TABLE                           |             | 1           |
| 5                | JMDX2S-3-05     | METRIC LONGITUDINAL LEADSCREW NUT    |             | 1           |
| 6                | JMDX2S-3-06     | SADDLE                               |             | 1           |
| 7                | PBM1839BDV-3-07 | BASE                                 |             | 1           |
| 8                | JMDX2S-3-08A    | HANDWHEEL                            |             | 2           |
| 9                | JMDX2S-3-09     | CROSS BEVEL WEDGE                    |             | 1           |
| 10               | JMDX2S-3-10     | LONGITUDINAL WEDGE LOCKING CROWN BAR |             | 1           |
| 11               | JMDX2S-3-11     | SMALL HANDLE ASSEMBLY                |             | 2           |
| 12               | JMDX2S-3-12A    | METRIC LONGITUDINAL LEADSCREW        |             | 1           |
| 13               | JMDX2S-3-13     | BEARING SEAT                         |             | 2           |
| 14               | JMDX2S-3-14     | METRIC LONGITUDINAL/CROSS SCALE DIAL |             | 2           |
| 16               | GB7085-5-14     | SOCKET HD SCREW                      | M5 x 14 mm  | 2           |
| 17               | JMDX2S-3-17     | PLUG                                 |             | 1           |
| 18               | GB7085-6-16     | SOCKET HD SCREW                      | M6 x 16 mm  | 6           |
| 19               | GB109679-4-16   | FLAT KEY                             | 4 x 16 mm   | 1           |
| 20               | GB88986-8       | HEX LOCKING NUT                      | M8          | 1           |
| 21               | GB6585-8-55     | SLOTTED LARGE CHEESE HD SCREW        | M8 x 55 mm  | 2           |
| 22               | JMDX2S-3-22     | SPING PIECE                          |             | 2           |
| 23               | TBB-51101       | THRUST BALL BEARING                  | 51101       | 4           |
| 24               | JMDX2S-3-24     | LONGITUDINAL BEVEL WEDGE             |             | 1           |
| 25               | JMDX2S-3-25     | METRIC CROSS LEADSCREW NUT           |             | 1           |
| 26               | JMDX2S-3-26     | METRIC CROSS LEADSCREW               |             | 1           |
| 27               | GB7085-5-20     | SOCKET HD SCREW                      | M5 x 20 mm  | 2           |
| 28               | JMDX2S-3-28A    | HANDLE                               |             | 2           |
| 29               | JMDX2S-3-29     | TIGHTEN THE TOP ROD                  |             | 1           |
| 30               | JBT7940495-6    | OIL CUP                              | 6           | 1           |
| 31               | GB7085-4-14     | SOCKET HD SCREW                      | M4 x 14 mm  | 4           |
| 32               | JMDX2S-3-32     | WEDGE SCREW                          |             | 4           |
| 33               | GB11986A-4-20   | ROUND PIN                            | 4 x 20 mm   | 6           |
| 34               | JMDX2S-3-34     | SCALE                                |             | 1           |
| 35               | GB82786-2-3     | RIVET                                | 2 x 3 mm    | 4           |
| 36               | JMDX2S-3-36     | ZERO LABEL                           |             | 1           |
| 37               | GB97185-8       | WASHER                               | 8           | 1           |
| 38               | GB11786A-3-30   | TAPER PIN                            | 3 x 30 mm   | 2           |
| 39               | GB7085-6-10     | SOCKET HD SCREW                      | M6 x 10 mm  | 1           |
| 40               | GB9685-6        | BIG WASHER                           | 6           | 1           |
| 41               | GB11786B-3-26   | TAPER PIN                            | 3 x 26 mm   | 2           |
| 42               | JMDX2S-3-42     | SPRING                               |             | 1           |
| 43               | JMDX2S-3-43     | INDICATOR                            |             | 2           |
| 44               | GB11786A-4-28   | TAPER PIN                            | 4 x 28 mm   | 1           |
| 45               | JMDX2S-3-45     | CLUTCH                               |             | 1           |
| 46               | JMDX2S-3-46     | HANDWHEEL                            |             | 1           |
| 47               | JMDX2S-3-47     | SPRING                               |             | 1           |
| 48               | JMDX2S-3-48     | WASHER                               |             | 1           |
| 49               | GB7085-4-10     | SOCKET HD SCREW                      | M4 x 10 mm  | 1           |
| 50               | GB82786-2-4     | RIVET                                | 2 x 4 mm    | 4           |



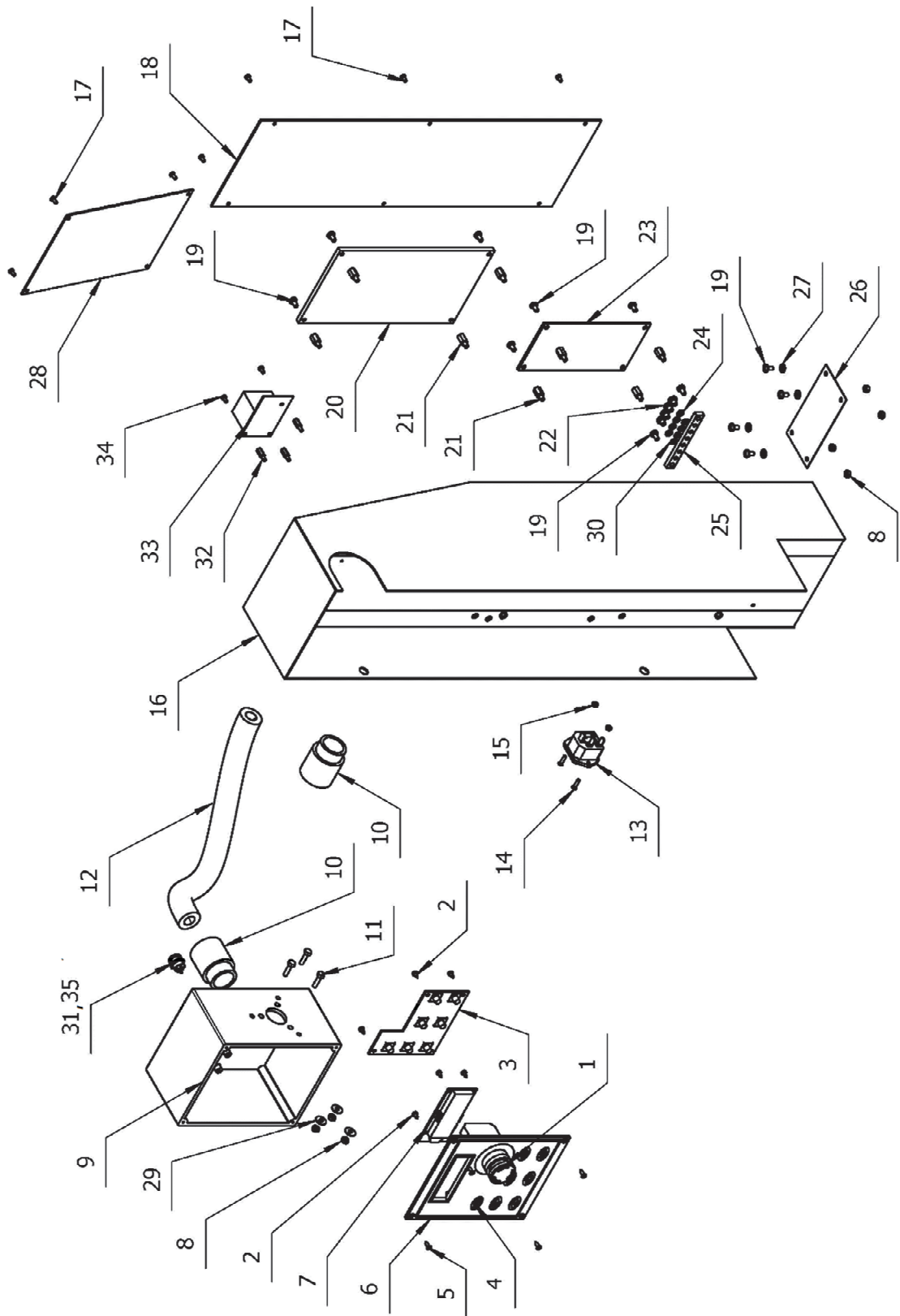
PBM-1839BDV Assembly Breakdown -4



**PBM-1839BDV Parts List for Breakdown -4**

| <b>Index No.</b> | <b>Part No.</b> | <b>Description</b>           | <b>Size</b> | <b>Qty.</b> |
|------------------|-----------------|------------------------------|-------------|-------------|
| 1                | JMDX2S-4-01     | SPLASH GUARD I               |             | 1           |
| 2                | JMDX2S-4-02     | SPLASH GUARD II              |             | 1           |
| 3                | JMDX2S-4-03     | FILLER STRIP                 |             | 1           |
| 4                | GB81885-4-6     | PHILLIPS HD SCREW            | M4 x 6 mm   | 6           |
| 5                | JMDX2S-4-05     | DUST GUARD                   |             | 1           |
| 6                | JMDX2S-4-06     | DEAD PLATE                   |             | 1           |
| 7                | GB81885-4-10    | PHILLIPS HD SCREW            | M4 x 10 mm  | 2           |
| 8                | JMDX2S-4-08     | RISE AND DOWN GUIDEWAY COVER |             | 1           |
| 9                | JMDX2S-4-09     | MAGNET STEEL                 |             | 5           |
| 10               | JMDX2S-4-10     | SHIELD BAFFLE                |             | 1           |
| 11               | GB81985-4-10    | CROSS RECESSED FLAT HD SCREW | M4 x 10 mm  | 3           |
| 12               | JMDX2S-4-12     | THE INNER SHIELD             |             | 1           |
| 13               | GB83588-5-20    | KNURLED SCREW                | M5 x 20 mm  | 2           |
| 14               | GB97185-5       | WASHER                       | 5           | 2           |
| 15               | JMDX2S-4-15     | OUTER PROTECTIVE COVER       |             | 1           |
| 16               | GB7085-4-10     | SOCKET HD SCREW              | M4 x 10 mm  | 1           |
| 17               | JMDX2S-4-17     | BLOCK                        |             | 1           |
| 18               | JMDX2S-4-18     | CONNECTING PLATE             |             | 1           |
| 19               | JMDX2S-4-19     | SAFETY LIMIT SWITCH          |             | 1           |
| 20               | GB88986-6       | HEX LOCKING NUT              | M6          | 1           |
| 21               | GB9685-6        | BIG WASHER                   | 6           | 1           |
| 22               | JMDX2S-4-22     | SUPPORT PLATE                |             | 1           |
| 23               | GB7085-4-12     | SOCKET HD SCREW              | M4 x 12     | 3           |
| 24               | JMDX2S-4-24     | SPACER BUSH                  |             | 1           |
| 25               | GB81885-4-25    | PHILLIPS HD SCREW            | M4 x 25 mm  | 2           |
| 26               | GB7885-4-6      | SET SCREW (CONE END)         | M4 x 6 mm   | 1           |
| 27               | JMDX2S-4-27     | ROTATARY SHAFT               |             | 1           |

PBM-1839BDV Assembly Breakdown -5



12

**PBM-1839BDV Parts List for Breakdown -5**

| <b>Index No.</b> | <b>Part No.</b> | <b>Description</b>           | <b>Size</b>    | <b>Qty.</b> |
|------------------|-----------------|------------------------------|----------------|-------------|
| 1                | JMDX2S-5-01     | EMERGENCY STOP               |                | 1           |
| 2                | GB84585-29-65   | BUTTON HD TAP SCREW          | ST2.9 x 6.5 mm | 8           |
| 3                | JMDX2S-5-03     | TOUCH PANEL                  |                | 1           |
| 4                | JMDX2S-5-04     | LABEL                        |                | 1           |
| 5                | GB84685-29-95   | FLAT HD TAP SCREW            | ST2.9 x 9.5 mm | 4           |
| 6                | PBM1839BDV-5-06 | ELECTRIC BOX COVER           |                | 1           |
| 7                | JMDX2S-5-07     | ROTATARY SPEED DISPLAY       |                | 1           |
| 8                | GB617086-4      | HEX NUT                      | M4             | 7           |
| 9                | PBM1839BDV-5-09 | ELECTRIC BOX                 |                | 1           |
| 10               | JMDX2S-5-10     | TUBE CONNECTOR               |                | 2           |
| 11               | GB578186-4-16   | HEX HD SCREW                 | M4 x 16 mm     | 3           |
| 12               | JMDX2S-5-12     | TUBE                         |                | 1           |
| 13               | JMDX2S-5-13     | POWER SOCKET                 |                | 1           |
| 14               | GB81985-3-12    | CROSS RECESSED FLAT HD SCREW | M3 x 12        | 2           |
| 15               | GB617086-3      | HEX NUT                      | M3             | 2           |
| 16               | PBM1839BDV-5-16 | BACK COVER                   |                | 1           |
| 17               | GB81985-3-6     | CROSS RECESSED FLAT HD SCREW | M3 x 6 mm      | 10          |
| 18               | PBM1839BDV-5-18 | BACK COVER                   |                | 1           |
| 19               | GB81885-4-8     | PHILLIPS HD SCREW            | M4 x 8 mm      | 14          |
| 20               | JMDX2S-5-20     | PC BOARD                     |                | 1           |
| 21               | HTS-310-3-10    | HEX END STUD (PLASTIC)       | M3 x 10 mm     | 8           |
| 22               | GB81885-5-6     | PHILLIPS HD SCREW            | M5 x 6 mm      | 4           |
| 23               | JMDX2S-5-23     | FILTER                       |                | 1           |
| 24               | GB9387-5        | SPRING WASHER (STD)          | 5              | 4           |
| 25               | JMDX2S-5-25     | GROUNDING BAR                |                | 1           |
| 26               | JMDX2S-5-26     | BLOW DUST GAUZE              |                | 1           |
| 27               | GB97185-4       | WASHER                       | 4              | 4           |
| 28               | PBM1839BDV-5-28 | UP COVER                     |                | 1           |
| 29               | GB97185-4       | WASHER                       | 4              | 4           |
| 30               | GB9387-5        | SPRING WASHER (STD)          | 5              | 4           |
| 31               | PBM1839BDV-5-31 | COVER                        |                | 1           |
| 32               | JMDX2SDRO-5-32  | HEX ISOLATION COLUMN FOR DRO |                | 3           |
| 33               | PBM1839BDV-5-33 | COVER                        |                | 1           |
| 34               | GB81985-3-6     | CROSS RECESSED FLAT HD SCREW |                | 3           |
| 35               | JMDX2SDRO-5-31  | SOCKET FOR DRO               |                | 1           |