



MBS-910CS

Metal Working Bandsaw

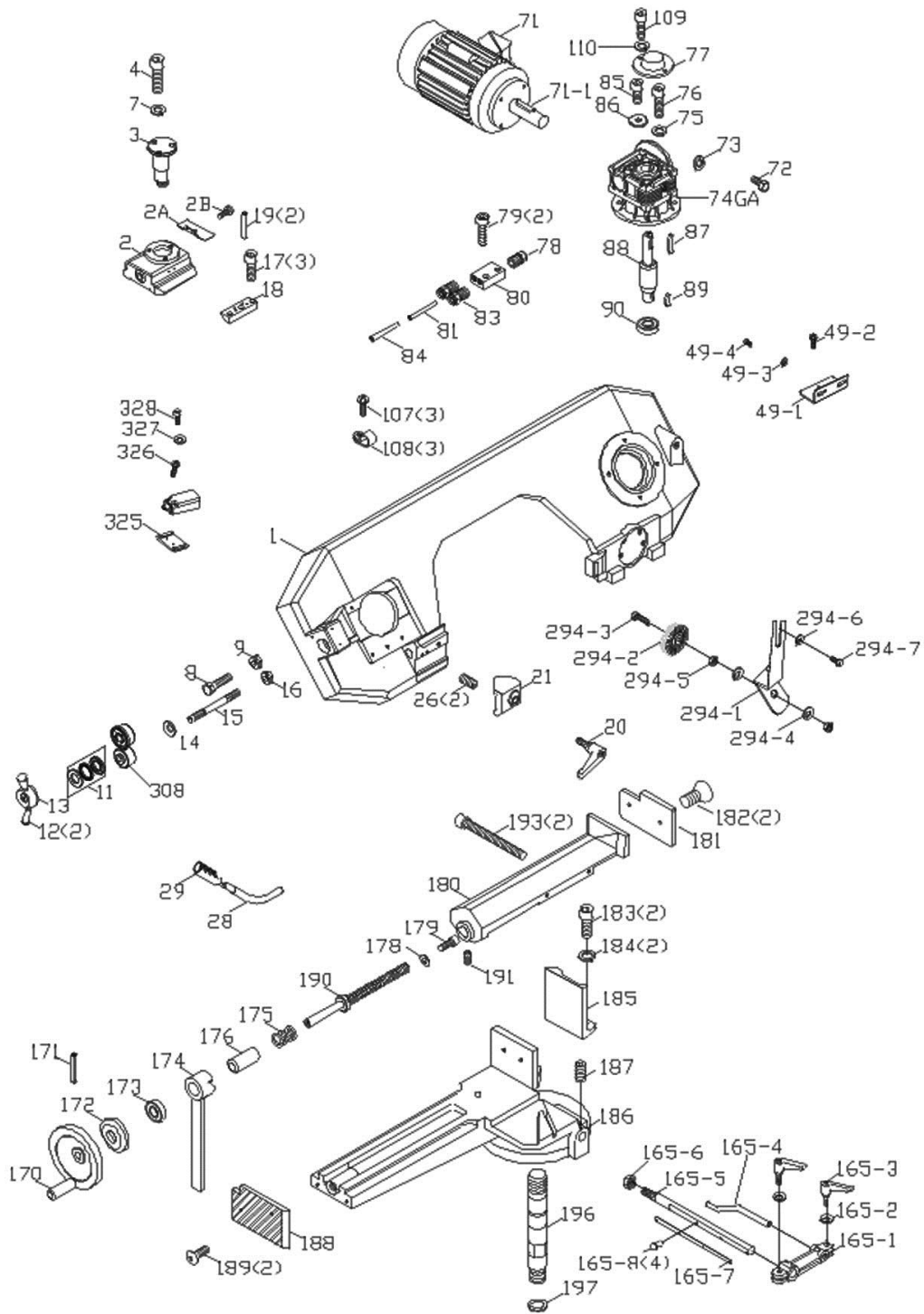
MBS-910CS-T..... 3~400V, 50Hz

PARTS LIST

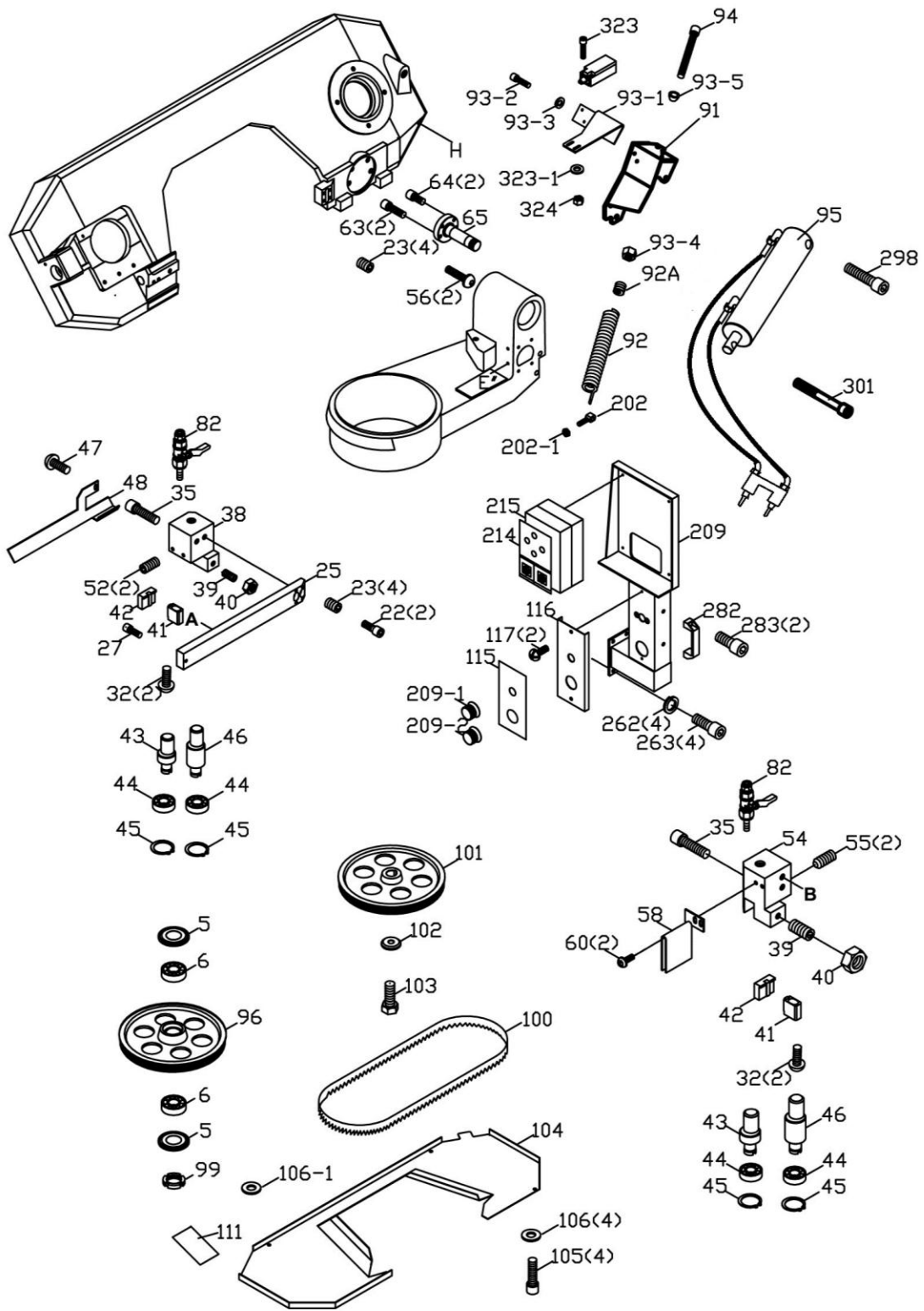
Walter Meier (Tool) AG
Tämperlistrasse 5
CH-8117 Fällanden
Switzerland
Phone +41 44 806 47 48
Fax +41 44 806 47 58
jetinfo.eu@waltermeier.com
www.jettools.com



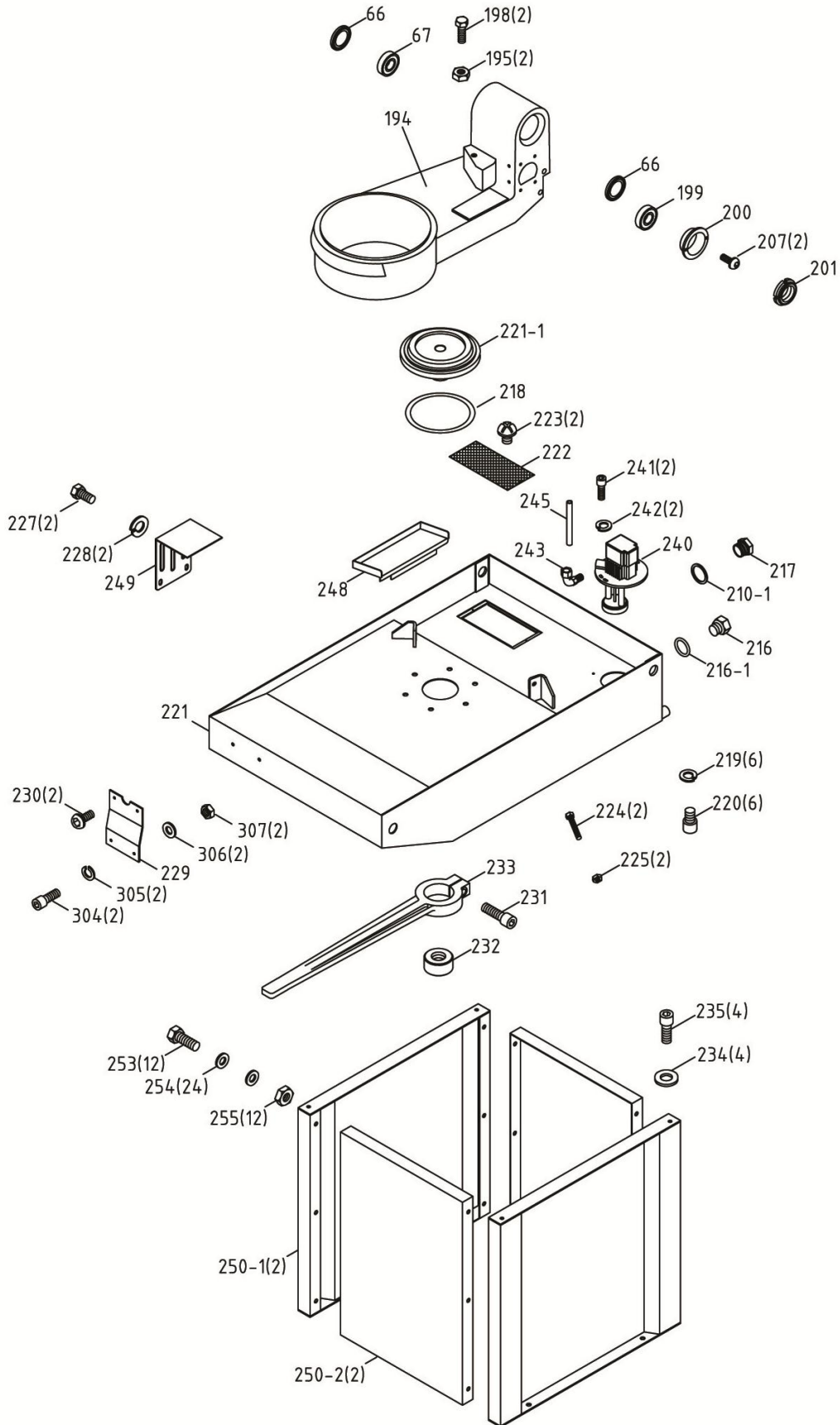
Breakdown for the MBS910CS



Breakdown for the MBS910CS



Breakdown for the MBS910CS



Parts List for the MBS910CS

Index No.	Part No.	Description	Size	Qty.
1	MBS910CS-01B	Body Frame		1
2	MBS910CS-02B	Anchor Block		1
2A	MBS910CS-02A	Anchor Plate		1
2B	MBS708CS-02B	Round Head Screw	M5x10	2
3	MBS910CS-03B	Shaft		1
4	TS-1504061	Socket Head Cap Screw	M8x30	3
5	MBS910CS-05	Anti-Chip Cover		2
6	BB-32006	Tapered Roller Bearing	32006	2
7	TS-2361081	Lock Washer	M8	3
8	TS-1490081	Hex. Cap Screw	M8x45	1
9	MBS708CS-09	Nut	M8	1
11	MBS708CS-11	Thrust Bearing	51203	1
12	MBS708CS-12	Knob		2
13	MBS708CS-13	Blade Tension Handle		1
14	MBS708CS-14	Lock Washer	ø16.3xø31.5x1.8t	14
15	MBS910CS-15A	Lead screw		1
16	TS-154010	Nut	M16	1
17	TS-1504041	Socket Head Cap Screw	M8x20	3
18	MBS708CS-18B	Fixed Block		1
19	MBS708CS-19	Pin	ø 5X40	2
20	MBS910CS-20	Locking Lever	M10x60	1
21	MBS910CS-21B	Fixed Block		1
22	TS-1504041	Socket Head Cap Screw	M8x20	2
23	TS-1503041	Socket Set Screw	M6x16	4
25	MBS910CS-25	Blade adjust stick		1
26	TS-1524021	Socket Set Screw	M8x10	2
27	TS-1503021	Socket Head Cap Screw	M6x10	1
28	MBS708CS-28	Connecting Tube		1
29	MBS708CS-29	Handle		1
30	TS-1550071	Flat Washer	M10	1
32	MBS910CS-32	Round Head Screw	M6x30	4
35	TS-1503011	Socket Head Cap Screw	M6x8	2
38	MBS910CS-38	Blade Adjust		1
39	TS-1524051	Socket Set Screw	M8x20	2
40	TS-1540061	Hex. Nut	M8	2
41	MBS910CS-41	Guide		2
42	MBS910CS-42	Guide		2
43	MBS910CS-43	Eccentric Guide		2
44	BB-608ZZ	Ball Bearing	608ZZ	4
45	MBS708CS-45	C-Retainer Ring	ø 8	4
46	MBS910CS-46	Eccentric Guide		2
47	MBS910CS-47	Round Head Screw	M6x15	2
48	MBS910CS-48	Blade Cover		1
49S	MBS708CS-49S	Power Cutting Bracket		1
49-1	MBS708CS-49-1	Power Cutting Bracket		1
49-2	MBS708CS-49-2	Cross Round Head Screw	M3x30	2
49-3	TS-1550041	Flat Washer	M6	2
49-4	TS-1503031	Socket Head Cap Screw	M6x12	2
52	TS-1523011	Socket Set Screw	M6x6	2
54	MBS910CS-54	Blade Adjustable		1
55	TS-1523011	Socket Set Screw	M6x6	2

Parts List for the MBS910CS

Index No.	Part No.	Description	Size	Qty.
56	TS-1504071	Socket Head Cap Screw	M8x35	2
57	TS-1550051	Flat Washer	M8	2
58	MBS910CS-58	Blade Cover		1
60	MBS910CS-60	Round Head Screw	M5x10	2
63	TS-1505061	Socket Head Cap Screw	M10x40	2
64	TS-1505031	Socket Head Cap Screw	M10x25	2
65	MBS910CS-65	Frame Pivot Shaft		1
66	MBS910CS-66	Anti-Chip Cover		2
67	BB-32006	Tapered Roller Bearing	32006	1
71	MBS910CS-71AE	Motor	1.5HP/400V/3PH	1
72	TS-1503061	Socket Head Cap Screw	M6x25	4
73	TS-2361061	Lock Washer	M6	4
74GA	MBS910CS-74GA	Gear Box Assembly (08040509 and higher)		1
75	TS-2361101	Lock Washer	M10	4
76	TS-1490041	Hex Cap Screw (08040509 and higher)	M8x25	4
77	MBS910CS-77	Reducer Cover		1
78	MBS708CS-78	Hose Fitting	ø 8x1/4"PT	1
79	TS-1503041	Socket Head Cap Screw	M6x16	2
80	MBS708CS-80	3 Way Valve		1
81	MBS708CS-81	PU Tube	ø 6x240L	1
82	MBS708CS-82	Valve	1/8"	2
83	MBS708CS-83	Hose Fitting	ø 6x1/8"PT	4
84	MBS910CS-84	PU Tube	ø 6x800L	1
85	TS-1505041	Socket Head Cap Screw	M10x30	1
86	MBS708CS-86	Private Shaft Washer		1
87	MBS708CS-87	Round Head Key	8x7x50	1
88	MBS910CS-88N	Output Shaft (08040509 and higher)		1
89	MBS910CS-89	Round Head Key	8x7x25	1
90	MBS910CS-90	Ball Bearing	6208-2RS	1
91	MBS910CS-91	Spring Bracket (07100404 and higher)		1
92	MBS910CS-92	Spring		1
92A	MBS910CS-92A	Bushing		1
93-1	MBS910CS-92-1	Down Bracket (07100404 and higher)		1
93-2	TS-1502041	Socket Head Cap Screw	M5x16	2
93-3	TS-2361051	Lock Washer	M5	2
93-4	TS-1540071	Nut	M10	1
93-5	MBS910CS-93-5	Bushing		1
94	MBS910CS-094	Socket Head Cap Screw	M10x110	1
95	MBS910CS-95	Hydraulic Cylinder Assembly		1
96	MBS910CS-96	Idler Wheel		1
99	MBS910CS-99	Nut	AN06	1
100	MBS910CS-100	Blade	0.9x27x2450x5/8T	1
101	MBS910CS-101	Drive Wheel		1
102	MBS708CS-102	Drive Shaft Washer		1
103	TS-1492021	Hex. Cap Screw	M12x30	1
104	MBS910CS-104G	Blade Back Cover		1
105	TS-1503041	Socket Head Cap Screw	M6x16	4
106	TS-1550041	Flat Washer	M6	4
107	MBS910CS-107	Cross Round Head Screw	M5x20	3
108	MBS910CS-108	Hose Clip	ø 8	3
109	TS-1504031	Socket Head Cap Screw	M8x15	2

Parts List for the MBS910CS

Index No.	Part No.	Description	Size	Qty.
110	TS-2361081	Lock Washer	M8	2
111	MBS910CS-111	Label For Dimension of Section Cut		1
116	MBS910CS-116	Cover		1
117	MBS910CS-117	Round Head Screw	M5x15	2
165S	MBS910CS-165S	Distance Set Rod Assembly		1
165-1	MBS708CS-165-1	Distance Set Bracket		1
165-2	TS-1550051	Flat Washer	M8	2
165-3	MBS708CS-165-3	Knob		2
165-4	MBS708CS-165-4	Stock Stop Rod		1
165-5	MBS910CS-165-5	Distance Set Rod		1
165-6	TS-154009	Hex. Nut	M14	1
165-7	MBS708CS-165-7	Scale		1
165-8	MBS708CS-165-8	Rivet	ø 2	4
170	MBS910CS-170	Wheel		1
171	MBS708CS-171	Pin	ø 5x35	1
172	MBS910CS-172	Bearing Cover		1
173	MBS708CS-173	Thrust Bearing	ø 30x ø 47x3.5	1
174	MBS708CS-174	Vises Handle		1
175	MBS708CS-175	Spring		1
176	MBS910CS-176	Bushing		1
178	MBS708CS-178	Washer	ø 6.5x ø 18	1
179	TS-1503041	Socket Head Cap Screw	M6x16	1
180	MBS910CS-180G	Vise Jaw Bracket		1
181	MBS910CS-181	Vise		1
182	MBS708CS-182	Hex. Socket Flat Head Screw	M6x12	2
183	TS-1505041	Socket Head Cap Screw	M10x30	2
184	TS-2361101	Lock Washer	M10	2
185	MBS910CS-185G	Vise		1
186	MBS910CS-186G	Vise Jaw Bracket		1
187	TS-1524021	Socket Set Screw	M8x10	1
188	MBS910CS-188	Vise		1
189	TS-1503041	Socket Head Cap Screw	M6x16	2
190	MBS910CS-190	Lead screw Assembly		1
191	TS-1524051	Socket Set Screw	M8x20	1
193	MBS910CS-193	Socket Head Cap Screw	M6x110	2
194	MBS910CS-194G	Swivel Arm		1
195	TS-1540071	Hex. Nut	M10	2
196	MBS910CS-196	Vise Jaw Adjustable Rod		1
197	MBS708CS-197	O-Retainer Ring	ø 9.8x ø 2.4	1
198	TS-2210451	Hex. Cap Screw	M10x45	2
199	BB-32007	Tapered Roller Bearing	32007	1
200	MBS910CS-200	Bushing		1
201	MBS910CS-201	Nut	AN-07	1
202	MBS708CS-202	Bolt		1
207	TS-1522051	Socket Set Screw	M5x16	2
209	MBS910CS-209G	Control Box Base		1
209-1	MBS910CS-209-1	On/Off Value Knob		1
209-2	MBS910CS-209-2	Throttle Valve Knob		1
210-1	MBS910VS-210-1	O-Retainer Ring	P16	1
214	MBS910CS-214	Label for Name Plate (not shown)		1
215	MBS910CS-215	Control Switch Assembly		1
216	MBS708CS-216	Hex Socket Plug	3/8"PT	1

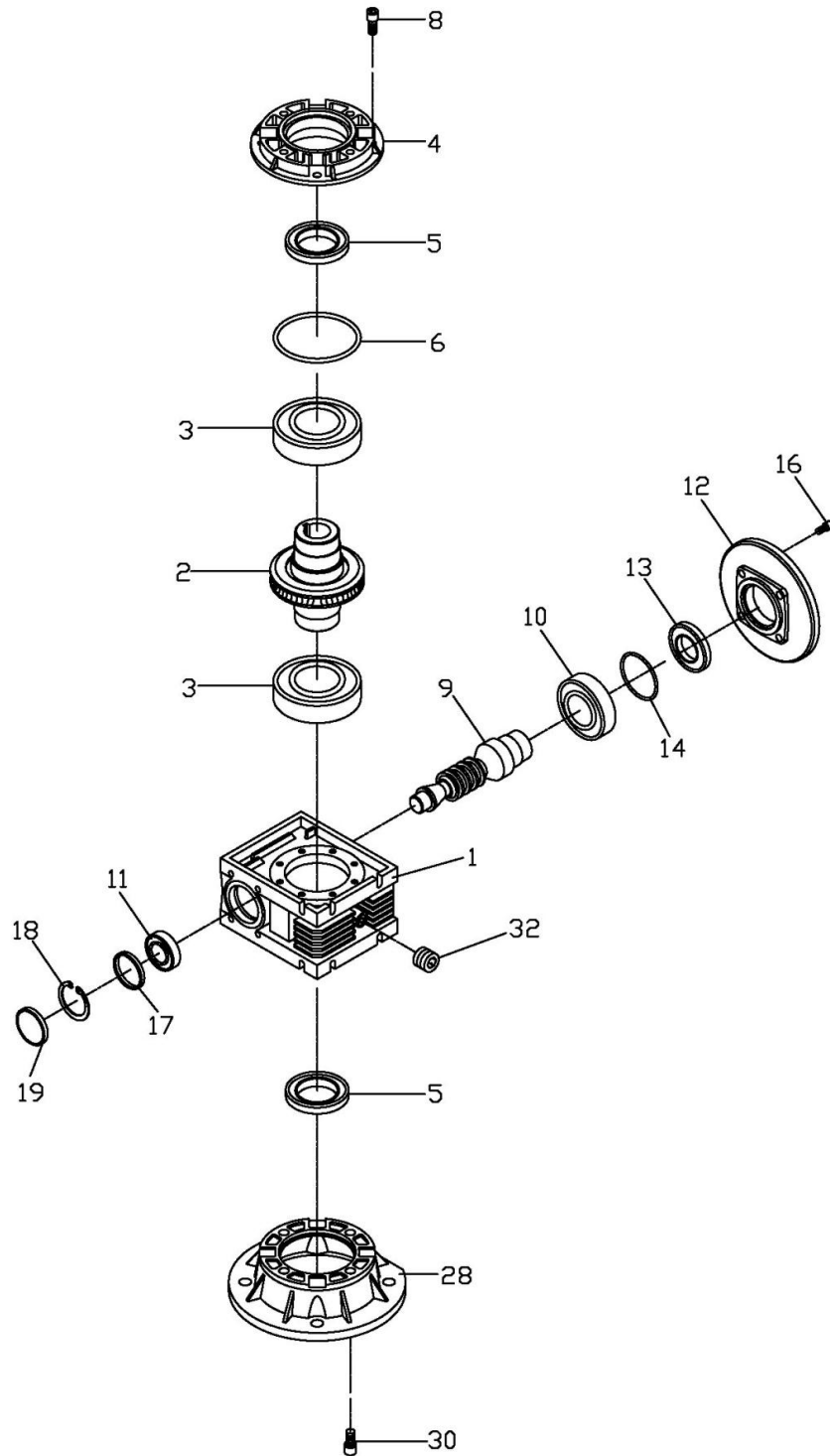
Parts List for the MBS910CS

Index No.	Part No.	Description	Size	Qty.
216-1	MBS708CS-216-1	O-Retainer Ring	P14	1
217	MBS910VS-217	Oil Mirror (oil glass)	3/8"PT	1
218	MBS910CS-218	O-Retainer Ring	ID19.5x5.7	1
219	TS-2361101	Lock Washer	M10	6
220	TS-1505021	Socket Head Cap Screw	M10x 20	6
221	MBS910CS-221B	Coolant Pan		1
221-1	MBS910CS-221-1G	Swivel Arm Base		1
222	MBS708CS-222	Filter		1
223	MBS708CS-223	Cross Round Head Screw	M4x8	2
224	TS-1491081	Hex. Cap Screw	M10x50	1
224-1	TS-1491161	Hex. Cap Screw	M10x100	1
225	TS-1541041	Hex. Nut	M10	2
227	TS-1491031	Hex. Cap Screw	M10x25	2
228	TS-2361101	Lock Washer	M10	2
229	MBS910CS-229	Fixed Plate		1
230	MBS708CS-230	Round Head Screw	M6x10	2
231	TS-1505051	Socket Head Cap Screw	M10x35	1
232	MBS708CS-232	Nut		1
233	MBS910CS-233	Adjustable Handle		1
234	TS-1550051	Flat Washer	M8	4
235	TS-1504051	Socket Head Cap Screw	M8x25	4
240	MBS708CS-240E	Pump	1/8HP/400V	1
241	MBS708CS-241	Pan Head Screw	M6x15	2
242	TS-2361061	Lock Washer	M6	2
243	MBS708CS-243	Micro Control Block	3/8"x3/8"	1
245	MBS708CS-245	PU Tube	ø 8x1300L	1
248	MBS708CS-248G	Fluid Collected Plate		1
249	MBS910CS-249	Feed Support		1
250	MBS910CS-250	Stand Leg Set		1
250-1	MBS910CS-250-1G	Stand Leg		2
250-2	MBS910CS-250-2G	Stand Leg		2
253	TS-1490031	Hex. Cap Screw	M8x20	12
254	TS-1550051	Flat Washer	M8	24
255	TS-1540061	Hex. Nut	M8	12
262	TS-2361061	Lock Washer	M6	4
263	TS-1503041	Socket Head Cap Screw	M6x16	4
282	MBS708CS-282	Knob		1
283	TS-1504031	Socket Head Cap Screw	M8x16	2
294S	MBS910CS-294S	Brush Assembly		1
294-1	MBS910CS-294-1	Brush Support		1
294-2	MBS910CS-294-2	Brush		1
294-3	TS-1482061	Hex. Cap Screw	M6x30	1
294-4	TS-1550041	Flat Washer	M6	2
294-5	TS-1540041	Hex. Nut	M6	1
294-7	TS-2246102	Socket Head Button Screw	M6x10	2
304	TS-1503041	Socket Head Cap Screw	M6x16	2
305	TS-2361061	Lock Washer	M6	2
306	TS-1550041	Flat Washer	M6	2
307	TS-1540041	Hex. Nut	M6	2
308	MBS708CS-308	Blade tension Meter		1
325	MBS910CS-325	Micro Switch Bracket		1

Parts List for the MBS910CS

Index No.	Part No.	Description	Size	Qty.
326	MBS910CS-326	Cross Round Head Screw	M4x28	2
327	TS-1550031	Flat Washer	M5	2
328	TS-1481041	Hex. Cap Screw	M5X16	2

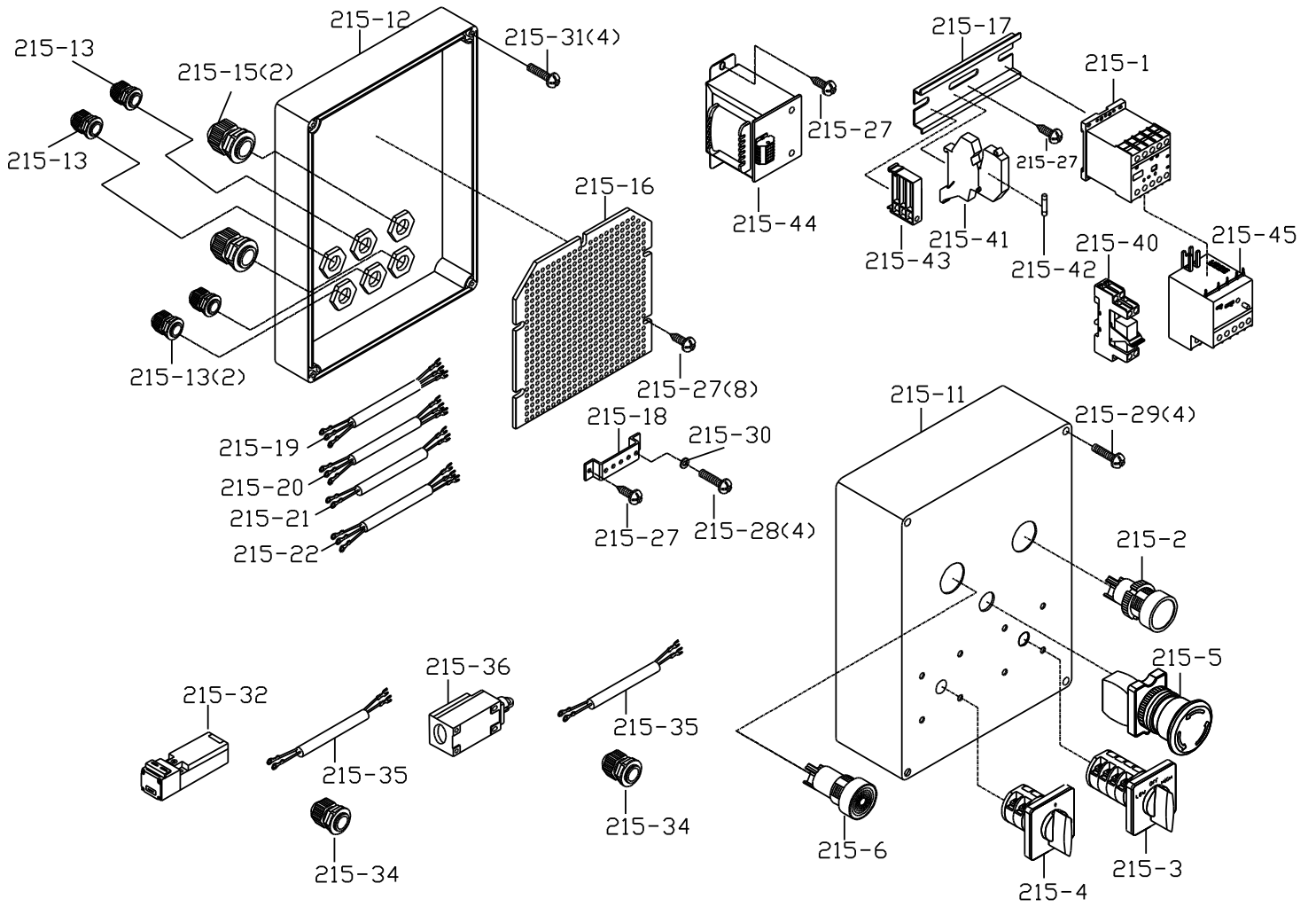
**Parts list for MBS-910CS
Breakdown for Gear Box Assembly**



**Parts List for MBS-910CS
Gear Box Assembly**

Index No.	Part No.	Description	Size	Qty.
1	MBS708CS-74GA-1	Gear Box		1
2	MBS910CS-74GA-2	Worm Gear	E=1/40	1
3	BB-6008ZZ	Ball Bearing	6008ZZ	2
4	MBS708CS-74GA-4	Gear Box Cover		1
5	MBS708CS-74GA-5	Oil Seal	TC40x62x7b	2
6	MBS708CS-74GA-6	Oil Seal		1
8	MBS708CS-74GA-8	Socket Star Head Screw	M6x16	8
9	MBS910CS-74GA-9	Worm Shaft		1
10	BB-6006ZZ	Ball Bearing	6006ZZ	1
11	BB-6204ZZ	Ball Bearing	6204ZZ	1
12	MBS708CS-74GA-12	Motor Flange		1
13	MBS708CS-74GA-13	Oil Seal	TC30x47x7b	1
14	MBS708CS-74GA-14	Oil Seal		1
16	MBS708CS-74GA-8	Socket Star Head Screw	M6x16	6
17	MBS708CS-74GA-17	Washer		1
18	MBS708CS-74GA-18	C-Ring		1
19	MBS708CS-74GA-19	Oil Seal		1
28	MBS708CS-74GA-28	Connect Flange		1
30	TS-1504031	Socket Head Cap Screw	M8x16	4
32	MBS708CS-74GA-32	Oil Plug		2
	MBS910CS-74GA	Gear Box Assembly 1~32 (08040509 and higher)		

Breakdown for the MBS910CS Electrical Box Assembly



**Parts List for the MBS910CS
Electrical Box Assembly**

Index No.	Part No.	Description	Size	Qty.
215	MBS708CS-215	Control Box Assembly		1
215-1	MBS708CS-215-1	Magnetic-Contact	C-06D	1
215-2	MBS708CS-215-2	Push-Button Switch	NPB-F	1
215-3	MBS708CS-215-3	Choice Pole Switch	600V/20A	1
215-4	MBS708CS-215-4	Choice-Switch	600V/20A	1
215-5	MBS708CS-215-5	Emergency-Stop Switch	HY57B	1
215-6	MBS708CS-215-6	Power Light	NLD-22	1
215-11	MBS708CS-215-11	Box Upper Lib		1
215-12	MBS708CS-215-12	Box Seat		1
215-13	MBS708CS-215-13	Cable-Gland	PG-9	4
215-15	MBS708CS-215-15	Cable-Gland	PG-13.5	2
215-16	MBS708CS-215-16	Net-Pin		1
215-17	MBS708CS-215-17	Din-Rails		1
215-18	MBS708CS-215-18	Grand Copper Pin		1
215-19	MBS708CS-215-19	Power Cable	H07RN-Fx1.5mm ²	1
215-20	MBS708CS-215-20	Motor Cable	1.25mm ² x7C	1
215-21	MBS708CS-215-21	Limit Cable	H05VV-Fx0.75mm ²	1
215-22	MBS708CS-215-22	Pump Cable	H05VV-Fx0.75mm ²	1
215-27	MBS708CS-215-27	Self-tapping Screw	M4X8	10
215-28	MBS708CS-215-28	Cross Round Head Screw crew	M4X6	4
215-29	MBS708CS-215-29	Cross Round Head Screw	M4x12	4
215-30	MBS708CS-215-30	Star Washer	M4	6
215-32	MBS708CS-215-32	Limit Switch for Blade Guard	AZD-S11	1
215-34	MBS708CS-215-34	Cable-Gland	PG-11	2
215-35	MBS708CS-215-35	Limit Cable	H05VV-Fx0.75mm ²	1
215-36	MBS708CS-215-36	Limit Switch for Bow Down	AZD-112	1
215-40	MBS708CS-215-40	Relay	24V	1
215-41	MBS708CS-215-41	Fuse Seat		1
215-42	MBS708CS-215-42	Fuse	2A	1
215-43	MBS708CS-215-43	Fix Block		1
215-44	MBS708CS-215-44	Transformer	400/24V	1
215-45	MBS910CS-215-45	Overload protector	2.4A-3.6A	1

MBS-910CS-T

3~400V, 50Hz

	colour of strands	Litzenfarben	couleur des cordons
BK	black	schwarz	noir
WH	white	weiß	blanc
BU	blue	blau	bleu
RD	red	rot	rouge
BN	brown	braun	brun
GNYE	green-yellow	grün-gelb	vert-jaune
GN	green	grün	vert

	meaning of symbol	Bedeutung der Zeichen	interprétation								
KM	Magnetic contactor	Hauptschütz	contacteur								
FU	fuse	Sicherung	fusible								
L	lamp	Anzeigenlampe	lampe d'indication								
SE	emergency stop switch	Not-Aus Schalter	arrêt d'urgence								
SB1	start button	Ein-Schalter	bouton marche								
SC1	choice speed switch	Aus-Schalter	bouton arrêt								
SC2	pump switch	Kühlmittel-Schalter	bouton pompe								
SQ1	downer limit switch	Positionsendschalter	micro								
M	main motor	Hauptmotor	moteur principal								
P	pump	Kühlmittelmotor	moteur pompe	SQA	saw lid limit switch	Positionsendschalter	micro	SQB	tension limit switch	Positionsendschalter	micro
SQA	saw lid limit switch	Positionsendschalter	micro								
SQB	tension limit switch	Positionsendschalter	micro								

