



**JBOS-5**

**Benchtop Oscillation  
Spindle Sander**

**JBOS-5-M...708404M.....1~230V, 50Hz**

## **PARTS LIST**

**TOOL FRANCE SARL**

9 Rue des Pyrénées, 91090 LISSES, France

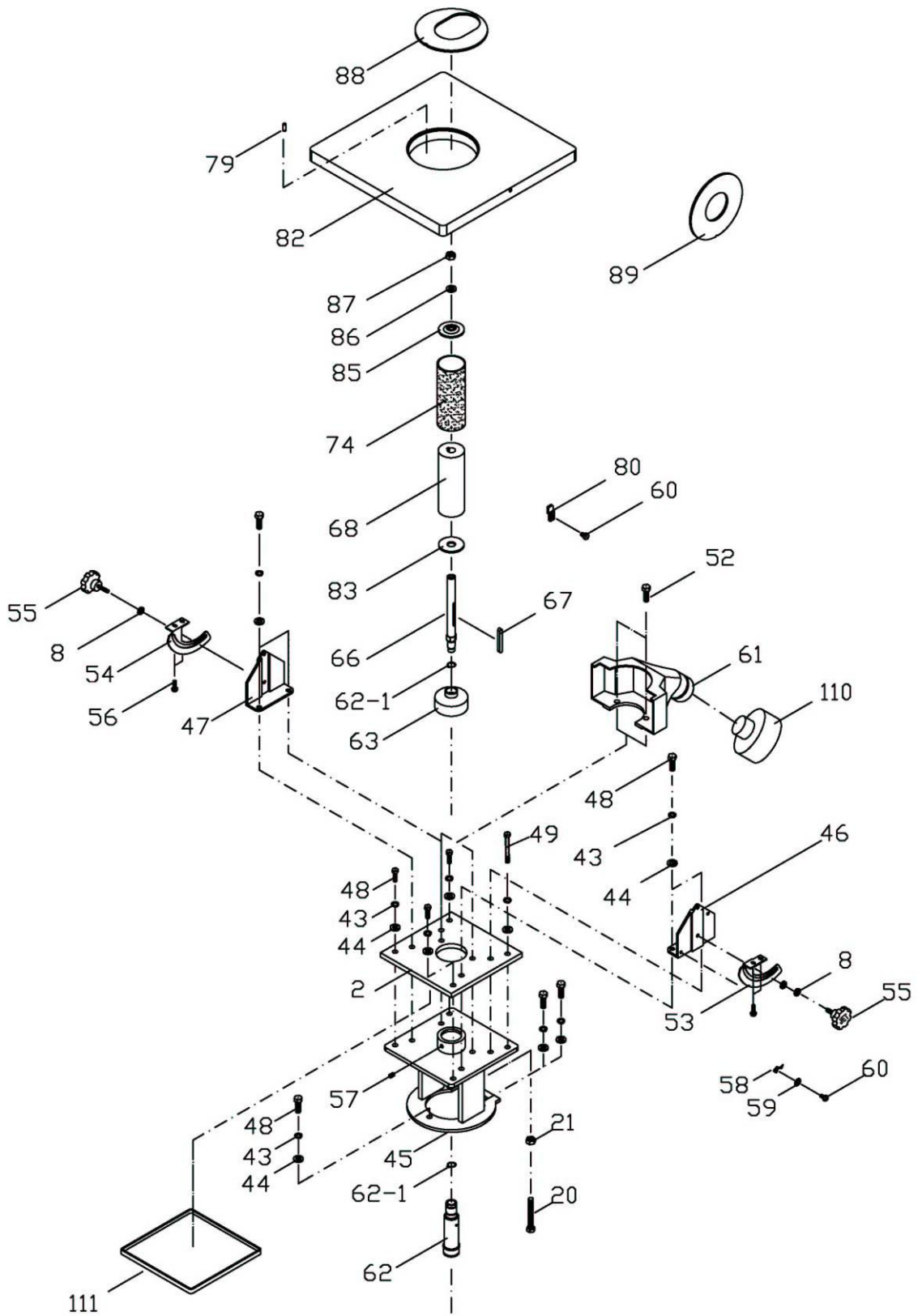
[www.jettools.com](http://www.jettools.com)



P-708404M

2018-11

# Table Assembly for the JBOS-5





## Parts List for the JBOS-5

Index No.	Part No.	Description	Size	Qty.
1	6286914E	Base		1
2	6286891	Top Plate		1
3	JBOS5-03E	On/Off Switch		1
4	JBOS5-04E	Strain Relief Bushing		1
5	6286916E	Power Cord	H05RN-Fx0.75mm	1
6	6286485	Phillips Pan Head Screw	M6x22mm	4
7	6286918	Rubber Feet		4
8	6286919	Washer	1/4"	2
9	6286486	Hex Nut	M6	4
11	6286922	Phillips Pan Head Screw	3/16"-24x5/8"	3
12	6286923	Gear Washer	3/16"	4
13	6286924	Hex Nut	3/16"-24	2
14	JBOS5-14E	Switch Box		1
15	6286912E	Motor	1/2 HP	1
	6286912-SC	Starting Capacitor (not shown)	200MFD/125VAC	1
16	6286926	Key	6x6x50	1
17	6286927	Flat Head Screw	M4x10	1
18	6286928	Worm Shaft		1
19	6286487	Set Screw	M6x10	2
20	6286930	Transmission Rod		1
21	6286931	Hex Nut	M8	1
22	6286932	Connecting Rod		2
23	6286933	Washer	1/4"	4
24	6286488	Nylon Nut	M5	2
25	BB-6804	Ball Bearing	6804-2RS	1
26	6286470	Transmission		1
27	BB-6006ZZ	Ball Bearing	6006ZZ	1
28	6286938	C-Snap Ring	R60	1
29	6286939	Bushing		4
30	6286481	Set Screw	M5X6	2
31	6286482	E-Ring	ETW-4	2
32	6286471	Connecting Shaft		1
33	6286472	Bracket		1
34	6286473	Worm		1
35	6286490	Hex Socket Cap Screw	M6x15	4
36	6286476	Shaft		2
37	6286480	Crank Shaft		2
38	6286474	Spring Washer	1/4"	4
39	6286475	Key	4x4x15	1
40	BB-6001ZZ	Ball Bearing	6001ZZ	2
41	6286478	C-Snap Ring	S12	2
42	6286479	C-Snap Ring	R28	2
43	6286483	Spring Washer	5/16"	11
44	6286484	Flat Washer	5/16"	11
45	6286948	Housing		1
46	6286949	L-Type Bracket-Right		1
47	6286950	L-Type Bracket-Left		1
48	6286951	Screw	M8x25	11
49	JBOS5-49	Hex Cap Screw	M8x110	1
52	6286951	Screw	M8x16	2
53	JBOS5-53	Support Trunnion-Right		1
54	JBOS5-54	Support Trunnion-Left		1
55	JBOS5-55	JET Lock Knob	M6x15	2
56	JBOS5-56	Hex Socket Cap Screw	M5x15	6
57	6286492	Set Screw	M6x5	1
58	6286961	Pointer		1

## Parts List for the JBOS-5

Index No.	Part No.	Description	Size	Qty.
59	6286493	Gear Washer	1/4"	1
60	6286963	Round Cross Head Screw	M5x10	4
61	6286964	Dust Cover		1
62	6286894N	Main Spindle		1
62-1	S0520020	C-Ring	S20	2
63	6286967	Cover		1
65	JBOS5-65	C-Snap Ring	S28	1
66	JBOS5-66	5/8" Sanding Spindle		3
	JBOS5-71	1/2" Sanding Spindle (not shown)		1
	JBOS5-72	1/4" Sanding Spindle (not shown)		1
67	JBOS5-67	Key	6x6x50	2
68	6286904	2" P.V.C Bushing		1
	6286903	1-1/2" P.V.C Bushing (not shown)		1
79	6286495	Spring Pin	3x12	1
80	6286796	5/8" Clamp		1
	6286795	1/2" Clamp (not shown)		1
	6286794	1/4" Clamp (not shown)		1
82	6286973W	Table		1
83	6286798	2" Lower Follower Plate		2
85	6286799	2" Upper Follower Plate		1
	6286976	1-1/2" Upper Follower Plate (not shown)		1
86	6286977	Washer	5/16"	3
87	6286978	Hex Nut	5/16"	3
88	6286979	2" Oblong Table Insert		1
89	6286980	2" Table Insert		1
	6286981	3/4" Oblong Table Insert (not shown)		1
	6286982	3/4" Table Insert (not shown)		1
92	JBOS5-92	Oil Cap		1
93	JET-113	JET Logo w/ 3M adhesive		1
94	JBOS5-94E	Warning Label (not shown)	80x60mm	1
95	JBOS5-95E	I.D Label		1
96	JBOS5-96	Stripe		1
97	JBOS5-97	Storage Plate for Drums		1
98	JBOS5-98	Storage Plate for Table Inserts		1
99	TS-1514011	Hex Socket Cap Screw	M6x12	6
100	JBOS5-100	Oil Cover		1
101	JBOS5-101	Pan Hand Screw	3/16"x1/4"	2
110	JBOS5-110E	Dust Collect		1
111	JBOS5-111	Safety strip		1
112	JBOS5-112	Hex Cap Bolt	3/16"-36x3/8"	2
113	JBOS5-113	Sheet Copper		1
114	JBOS5-114	Pan Head Screw	3/16"-24x1/4"	2
115	JBOS5-115E	Clamp	PG11	3
117	JBOS5-117E	Motor Label		1
118	JBOS5-118E	Direction Label		1
	JBOS5-105	Special Wrench (not shown)	14-17mm	2
	JBOS5-106	Open End Wrench (not shown)	10-12mm	1
	709530	Hardware Kit (not shown)		1

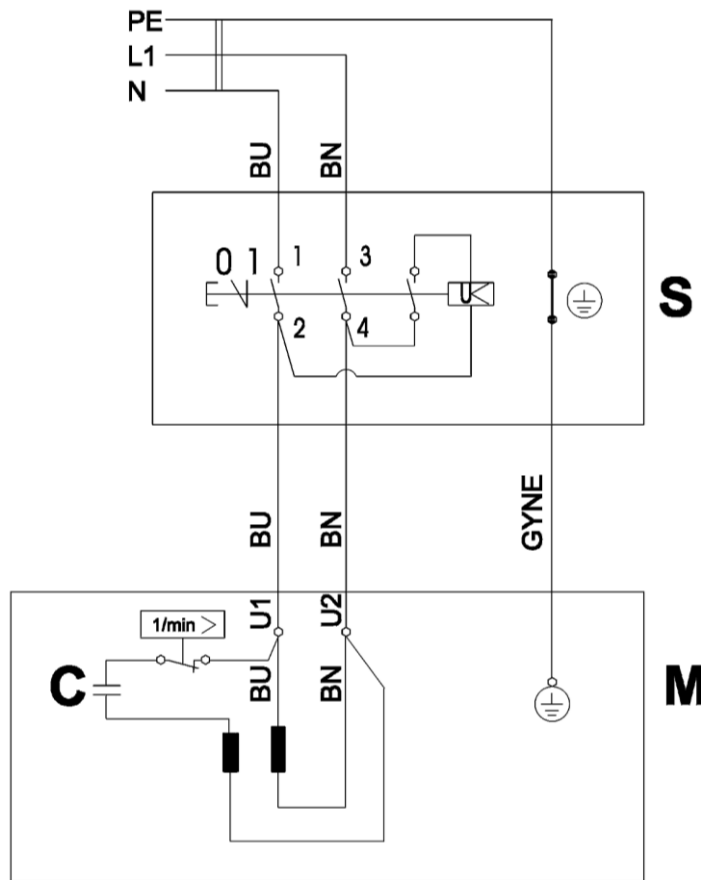
**Individual Replacement Sanding Sleeves for JBOS-5**

575800.....	1/4"	100 Grit
575801.....	1/4"	120 Grit
575806.....	1/2"	60 Grit
575807.....	1/2"	80 Grit
575808.....	1/2"	100 Grit
575809.....	1/2"	120 Grit
575810.....	5/8"	60 Grit
575811.....	5/8"	80 Grit
575812.....	5/8"	100 Grit
575813.....	5/8"	120 Grit
575838.....	1-1/2"	60 Grit
575839.....	1-1/2"	80 Grit
575840.....	1-1/2"	100 Grit
575841.....	1-1/2"	150 Grit
575842.....	2"	60 Grit
575843.....	2"	80 Grit
575844.....	2"	100 Grit
575845.....	2"	150 Grit

**3" Optional Accessories**

575846.....	3"	60 Grit
575847.....	3"	80 Grit
575848.....	3"	100 Grit
575849.....	3"	150 Grit
709539.....	3"	Table Insert
709534.....	3"	Spindle Assembly
709538.....	3"	Rubber Drum and Sleeve

# JBOS-5-M.....708404M.....1~230V, 50Hz



## Electric Components:

Symbol	Description	Type No. (Brand)	Specification
<b>M</b>	Main Motor		1~230V, 50Hz, 1400 RPM, P2=370W S1
<b>S</b>	magnetic switch	KJD12 (KEDU)	230V, 10A, 50Hz
<b>C</b>	starting capacitor		200MFD / 125VAC
	power cable with molded plug	AL-301	H05RN-F 3Gx0.75mm <sup>2</sup> VDE Plug 16A/250V
	motor cable		H05VV-F 3Gx0.75mm <sup>2</sup>

Symbol	colour of strands	Litzenfarben	couleur des cordons
<b>BU</b>	blue	blau	bleu
<b>BN</b>	brown	braun	brun
<b>GYNE</b>	green-yellow	grün-gelb	vert-jaune

