



JSS-16A

Scroll Saw

10000808MA

~230V, 50Hz

PARTS LIST

TOOL FRANCE SARL

9 Rue des Pyrénées, 91090 LISSES, France
www.jettools.com

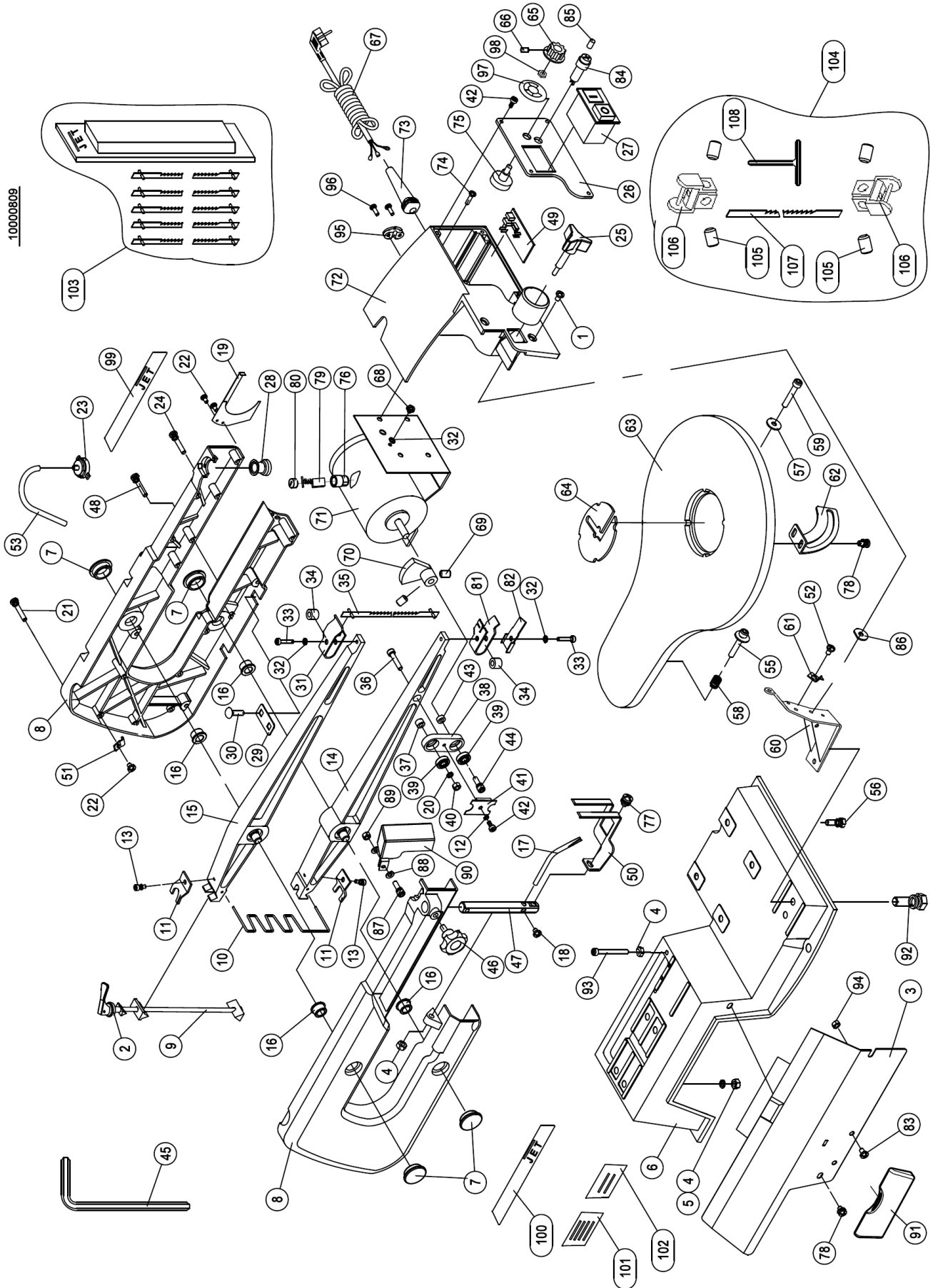


P-10000808MA

2019-03

Parts Breakdown for JSS-16A Scroll Saw

10000809



Parts List for JSS-16A Scroll Saw

Index No.	Part No.	Description	Size	Qty.
1	JSS16A-001	Philips Screw	M5x8	2
2	JSS16A-002	Foam Ring		1
3	JSS16A-003	Plate Cover		1
4	JSS16A-004	Hex Nut	M6	5
5	JSS16A-005	Spring Washer	6	4
6	JSS16A-006	Base		1
7	JSS16A-007	Bearing Flange Oil Cap		4
8	JSS16A-008	Housing Set		1
9	JSS16A-009	Tension Bolt Assy		1
	JSS16A-290	Tension Bolt Assy (#2 & #9)		1
10	JSS16A-010	Extension Spring		1
11	JSS16A-011	Retainer		1
12	JSS16A-012	Spring Washer	4	1
13	JSS16A-013	Philips Screw	M4x10	2
14	JSS16A-014	Lower Rocker Arm Assy.		1
15	JSS16A-015	Upper Rocker Arm Assy.		1
16	JSS16A-016	Bearing Flange		4
17	JSS16A-017	Blower Tube		1
18	JSS16A-018	Philips Screw	M5x6	1
19	JSS16A-019	Back Plate Cover		1
20	JSS16A-020	Spring Washer	5	1
21	JSS16A-021	Philips Screw	M5x35	5
22	JSS16A-022	Philips Screw	M4x6	2
23	JSS16A-023	Bellows Locks		1
24	JSS16A-024	Philips Screw	M5x28	1
25	JSS16A-025	Knob for Table Lock		4
26	JSS16A-026	Switch fixing board		1
27	JSS16A-027	Switch	230V	1
28	JSS16A-028	Bellows		1
29	JSS16A-029	Set Plate		1
30	JSS16A-030	Carriage Bolt	M6x20	4
31	JSS16A-031	Upper Blade Holder		1
32	JSS16A-032	Tooth Washer	4	4
33	JSS16A-033	Hex Socket Screw	M4x20	2
34	JSS16A-034	Sleeve		2
35	JSS16A-035	Blade (Pin)		1
36	JSS16A-036	Hex Socket Screw	M5x25	1
37	JSS16A-037	Space Bearing		1
38	JSS16A-038	Link Assembly		1
39	JSS16A-039	Bearing	625Z	2
40	JSS16A-040	Hex Nut	M5	1
41	JSS16A-041	Bearing Fence		1
42	JSS16A-042	Pan Head Tapping Screw	ST4.2x9.5	5
43	JSS16A-043	Space Bearing		1
44	JSS16A-044	Hex Socket Screw	M5x16	1
45	JSS16A-045	Aller Wrench	3	1
46	JSS16A-046	Drop Foot Lock Knob		1
47	JSS16A-047	Drop Foot Fixing Pole		1
48	JSS16A-048	Philips Screw	M5x30	2
49	JSS16A-049	Printed Circuit Board (PCB)	230V	1
50	JSS16A-050	Drop Foot		1
51	JSS16A-051	Clamp		5
52	JSS16A-052	Philips Screw	M6x10	1
53	JSS16A-053	PVC pipe		1
54	JSS16A-054			
55	JSS16A-055	Hex Socket Screw	M6x40	1
56	JSS16A-056	Hex socket screw M6X16	M6x16	4
57	JSS16A-057	Flat Washer	6	1

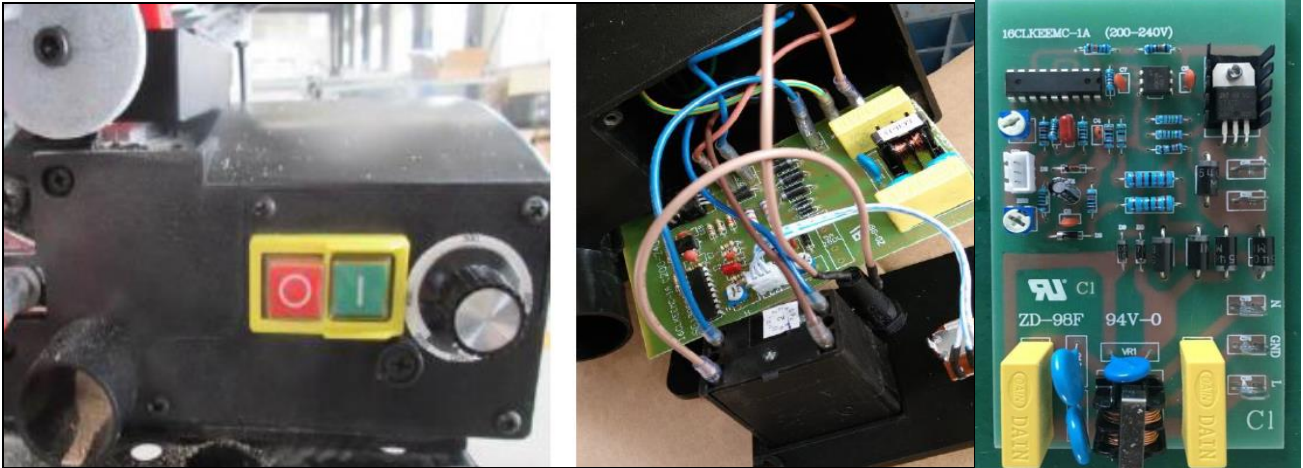
Parts List for JSS-16A Scroll Saw

Index No.	Part No.	Description	Size	Qty.
58	JSS16A-058	Spring		1
59	JSS16A-059	Hex Socket Screw	M6x25	1
60	JSS16A-060	Work table bracket		1
61	JSS16A-061	Pointer		1
62	JSS16A-062	Bevel Scale		1
63	JSS16A-063	Work Table		1
64	JSS16A-064	Work table insert		1
65	JSS16A-065	Speed adjusting knob		1
66	JSS16A-066	Soket head cap screw	M4x6	1
67	JSS16A-067	Power cord		1
68	JSS16A-068	Philips Screw	M4x8	2
69	JSS16A-069	Set Screw	M8x8	2
70	JSS16A-070	Eccentric wheel		1
71	JSS16A-071	DC Motor	Z56(230V)	1
72	JSS16A-072	Switch Box		1
73	JSS16A-073	Cord Clamp		1
74	JSS16A-074	Philips screw	M4x10	4
75	JSS16A-075	Resistor	C104	1
76	JSS16A-076	Brush Holder		2
77	JSS16A-077	Philips Screw	M5x10	1
78	JSS16A-078	Philips Screw	M5x8	2
79	JSS16A-079	Brush		2
80	JSS16A-080	Brush Cap		2
81	JSS16A-081	Lower Blade Holder		1
82	JSS16A-082	Lower Blade Holder Plate		1
83	JSS16A-083	Pan Head Screw	M4x10	1
84	JSS16A-084	Fuse house		2
85	JSS16A-085	Fuse	5A	1
86	JSS16A-086	Washer (Plastic)	6	1
87	JSS16A-087	Philips Screw	M5x25	1
88	JSS16A-088	Washer	5	2
89	JSS16A-089	Lock Nut	M5	1
90	JSS16A-090	Blade Guard		1
91	JSS16A-091	Blade Box		1
92	JSS16A-092	Philips Screw	M8x16	2
93	JSS16A-093	Hex Head Bolt	M6x80	1
94	JSS16A-094	Hex Nut	M4	2
95	JSS16A-095	Cord Clamp		1
96	JSS16A-096	Pan Head Screw	M4x12	2
97	JSS16A-097	Speed Label		1
98	JSS16A-098	Thin Nut	M10x1	1
99	JSS16A-099	JET LOGO -Right		1
100	JSS16A-100	JET LOGO -Left		1
101	JSS16A-101	JET ID Label		1
102	JSS16A-102	JET WARNING LABEL		1
103	10000809	5 Assorted Blades (10/15/18/20/25TPI with pin)		1
104	JSS16A-104	Pin-Less Blade & Bracket (#105, thru.108)		1
105	JSS16A-105	Set Screw	M5x8	4
106	JSS16A-106	Blade Clamp Bracket		2
107	JSS16A-107	Pin-Less Blade		1
108	JSS16A-108	Aller Wrench	2.5mm	1
109	JSS16A-109	Magnet Ring (not shown)	Ø25x13	2
110	JSS16A-110	Ground Wire (Green/Yellow) (not shown)	0.75mm ² x0.18m	1
111	JSS16A-111	PCBA Wire A (Blue) (not shown)	0.75mm ² x0.18m	1
112	JSS16A-112	PCBA Wire B (Brown) (not shown)	0.75mm ² x0.18m	1
113	JSS16A-113	PCBA Wire C (Brown) (not shown)	0.75mm ² x0.18m	1

Parts List for JSS-16A Scroll Saw

Index No.	Part No.	Description	Size	Qty.
114	JSS16A-114	PCBA & Switch Assembly (#1,#26,#27, #42, #49, #65, #66,#72,#74,#75,#84,#85,#97,#98, #109 thru.#113)		1

JSS16A-114 PCBA & Switch Assembly



Wiring Diagram for JSS-16A Scroll Saw

10000808MA..... ~ 230V, 50Hz

