

JET

JTS-600X

TABLE SAW

JTS-600X...10000070XM....230/50/1

JTS-600X....10000070XT....400/50/3

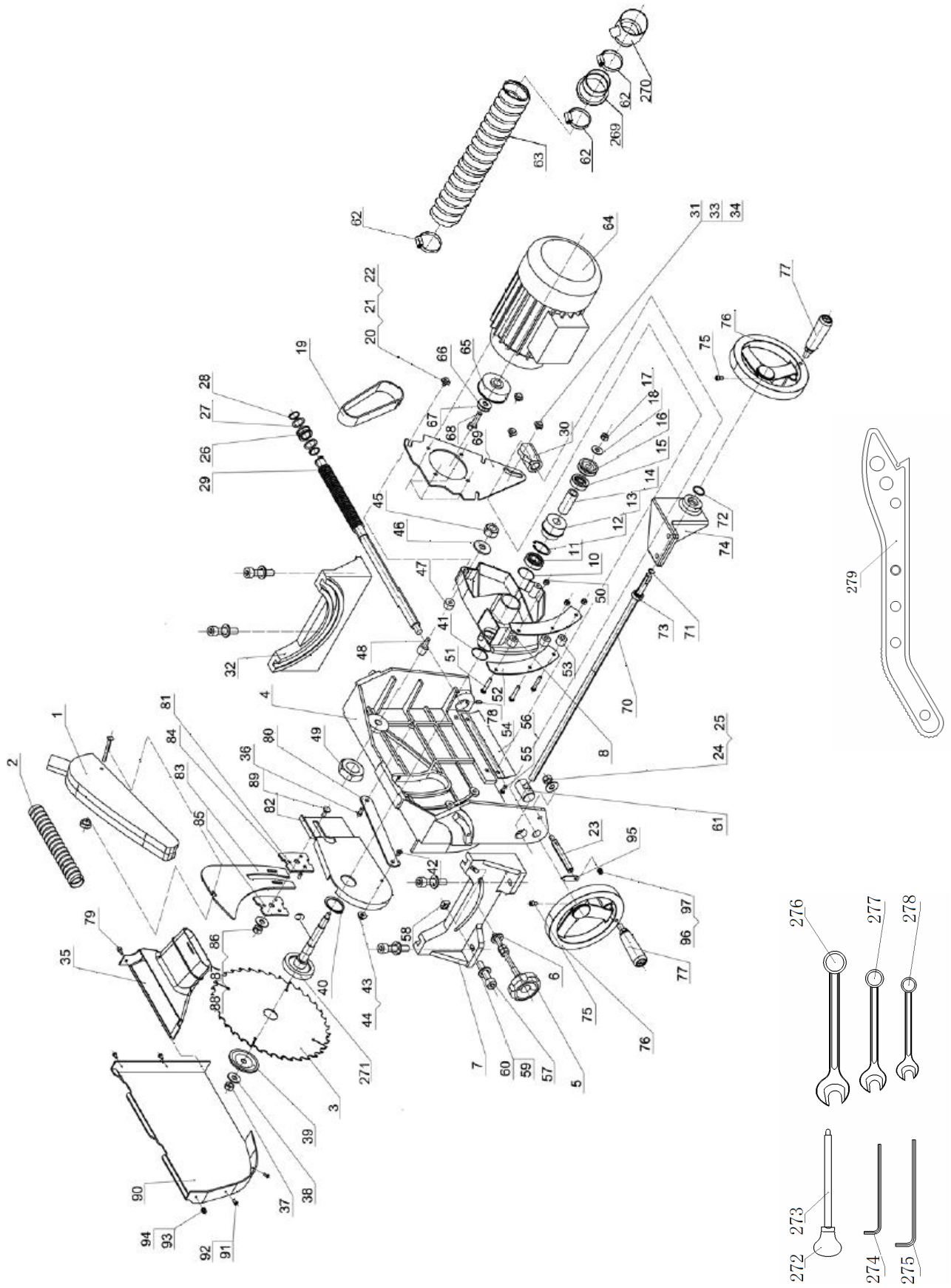
PARTS LIST ERSATZTEILLISTE LISTE DE PIECES

JPW (Tool) AG
Tämperlistrasse 5
CH-8117 Fällanden
Switzerland
Phone +41 44 806 47 48
Fax +41 44 806 47 58
www.jettools.com



P-10000070XM/XT 2017-11

Trunnion Assembly for JTS-600X



Trunnion Assembly for JTS-600X

Index	Part No.	Description	Size	Qty.
1	JTS600-001	Blade guard assy		1
2	JTS600-002	Dust collection tube(small)		1
3	JTS600-003	Blade	Ø250x3x Ø 30-36T	1
4	JTS600-004	Mount adjusting base		1
5	JTS600-005	Locking handle assy		1
6	JTS600-006	Washer	8	1
7	JTS600-007	Rotating support base A		1
8	JTS600-008	Mount base		1
9	JTS600-009	Main shaft		1
10	JTS600-010	Adjusting washer		4
11	JTS600-011	Bearing	6003-RZ	1
12	JTS600-012	Retaining ring		1
13	JTS600-013	Shaft pulley		1
14	JTS600-014	Tube		1
15	JTS600-015	Bearing	6301-RZ	1
16	JTS600-016	Adjusting wheel		1
17	JTS600-017	Nut	M8	1
18	JTS600-018	Washer	8	1
19	JTS600-019	Poly-belt	PJ150	1
20	JTS600-020	Hex screw	M6X30	3
21	JTS600-021	Washer	6	3
22	JTS600-022	Washer	6	3
23	JTS600-023	Indicator rod		1
24	JTS600-024	Nut	M8	1
25	JTS600-025	Washer	8	1
26	JTS600-026	Tube		1
27	JTS600-027	Washer		2
28	JTS600-028	Retaining ring		2
29	JTS600-029	Thread rod		1
30	JTS600-030	Thread tube		1
31	JTS600-031	Tube		1
32	JTS600-032	Rotating support base B		1
33	JTS600-033	Position screw		1
34	JTS600-034	Washer	8	1
35	JTS600-035	Dust funnel		1
	JTS600-035A	Funnel&hose clamp assly.(35, 62)		1
36	JTS600-036	Scew		1
37	JTS600-037	Lock Nut	M10X1.5 -Left	1
38	JTS600-038	Washer	10	1
39	JTS600-039	Blade flange		1
40	JTS600-040	Retaining ring		1
41	JTS600-041	Washer		2
42	JTS600-042	Screw	M6X20	1
43	JTS600-043	Nut	M6	1
44	JTS600-044	Washer	6	2
45	JTS600-045	Nut	M8	1
46	JTS600-046	Washer	8	1
47	JTS600-047	Tube II		1
48	JTS600-048	Position screw		1
49	JTS600-049	Nut	M6	1
50	JTS600-050	Nut	M6	3
51	JTS600-051	Screw	M6X35	3
52	JTS600-052	Clamping plate		2
53	JTS600-053	Tube I		3
54	JTS600-054	Guard for thread rod		1
55	JTS600-055	Washer	6	2

Trunnion Assembly for JTS-600X

Index	Part No.	Description	Size	Qty.
56	JTS600-056	Pan head screw	M6X8	2
57	JTS600-057	Nut	M8X20	2
58	JTS600-058	Square Nut		2
59	JTS600-059	Washer	8	2
60	JTS600-060	Internal washer	8	2
61	JTS600-061	45degree tilting rod		1
62	JTS600-062	Hose clamp		3
63	JTS600-063	Dust collection hose(big)		1
64	JTS600-064E	Motor 230V/50Hz/1		1
	JTS600-064AE	Motor 400V/50Hz/3		1
	JTS600-064RCE	Running Capacitor (not shown)	(20uF/450VAC)	1
	JTS600-064-B	Motor Break replacement parts assembly (not shown)		1
65	JTS600-065	Motor pulley		1
66	JTS600-066	Anti back washer		1
67	JTS600-067	Washer	8	1
68	JTS600-068	Screw		1
69	JTS600-069	Motor mounting bracket		1
70	JTS600-070	Tilting thread rod		1
71	JTS600-071	Clamping ring	12	1
72	JTS600-072	Clamping ring	22	1
73	JTS600-073	Joint bearing		1
74	JTS600-074	Bracket for joint bearing		1
75	JTS600-075	Screw	M6X16	2
76	JTS600-076	Big handle wheel		2
77	JTS600-077	Handle		2
78	JTS600-078	Scew	M6X10	1
79	JTS600-079	Knob		1
80	JTS600-080	Connecting plate		1
81	JTS600-081	Hex socket screw	M6x10	3
82	JTS600-082	Bracket for riving knife		1
83	JTS600-083	Riving knife		1
84	JTS600-084	Guide plate		1
85	JTS600-085	Press plate		1
86	JTS600-086	Washer	10	1
87	JTS600-087	Nut	M10	1
88	JTS600-088	Spring washer	10	1
89	JTS600-089	Screw	M10X25	1
90	JTS600-090	Inside blade guard		1
91	JTS600-091	Screw	M4X10	3
92	JTS600-092	Washer	5	5
93	JTS600-093	Screw	M4X20	2
94	JTS600-094	Self lock nut	M4	2
95	JTS600-095	Angle indicator		1
96	JTS600-096	Washer	4	1
97	JTS600-097	Screw	M4X8	1
269	JTS600-269	Cabinet adapter		1
270	JTS600-270	Hose adapter (Y-piece)		1
271	JTS600-271	Blade flange		1
272	JTS600-272	Ball handle		1
273	JTS600-273	Handlebar		1
274	JTS600-274	Allen key	6mm	1
275	JTS600-275	Allen key	5mm	1
276	JTS600-276	Socket wrench	16mm	1
277	JTS600-277	Socket wrench	13mm	1
278	JTS600-278	Socket wrench	10mm	1
279	JTS600-279	Pushing handle		1

Table and Frame Assembly for JTS-600X

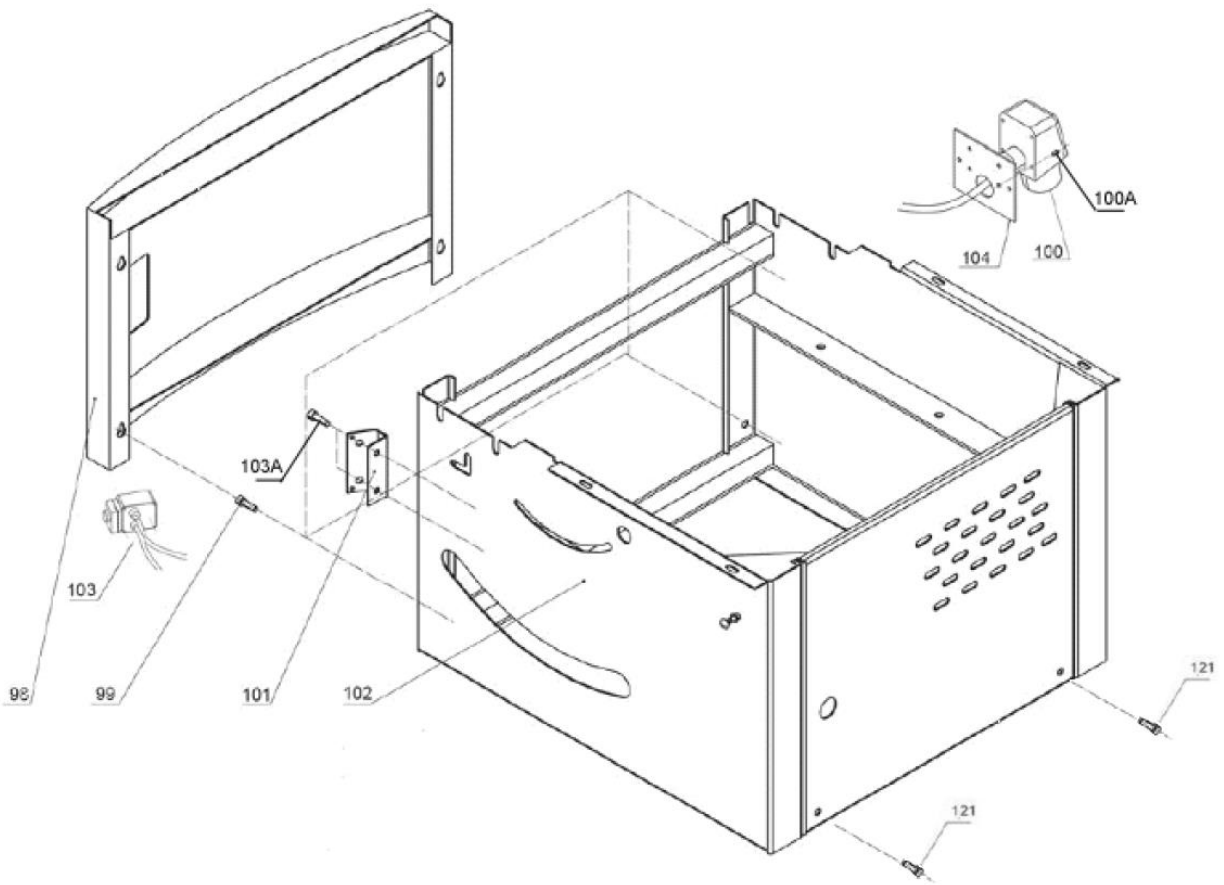
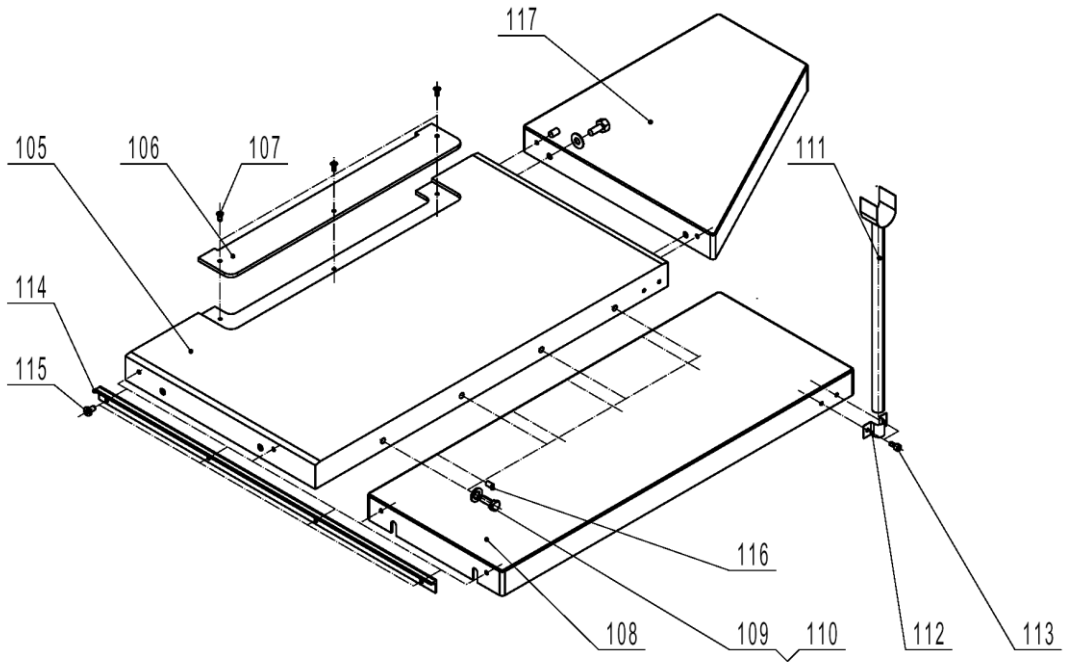
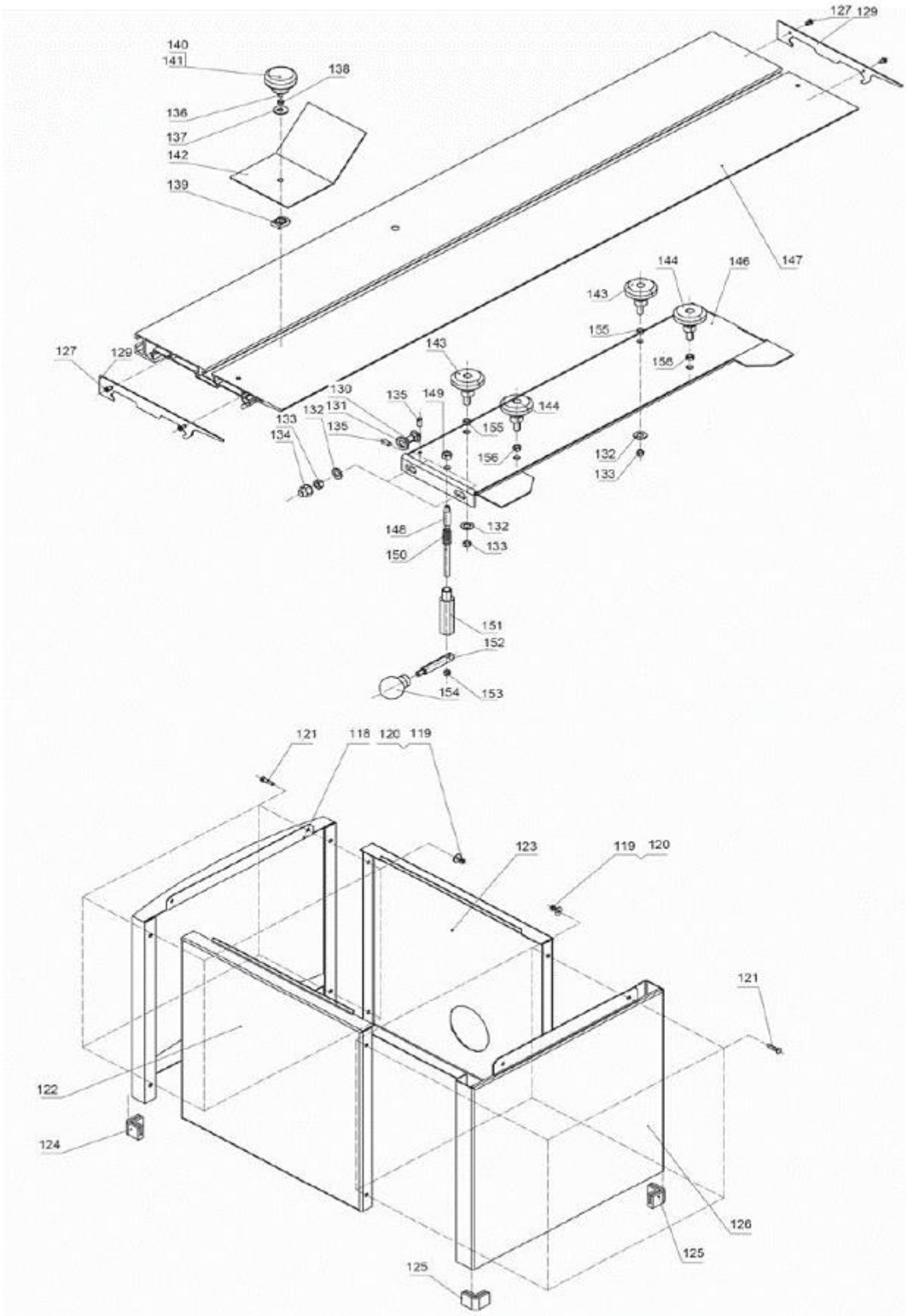


Table and Frame Assembly for JTS-600X

Index	Part No.	Description	Size	Qty.
98	JTS600-098	Upper acr panel		1
99	JTS600-099	Screw	M6X16	4
100	JTS600-100E	Plug 230V/50Hz/1		1
	JTS600-100AE	Plug 400V/50Hz/3		1
100A	JTS600-100A	Screw	M4X15	4
101	JTS600-101	Switch mounting plate		1
102	JTS600-102	Upper frame assembly		1
103	JTS600-103E	Switch Assembly 230V/50Hz/1		1
	JTS600-103AE	Switch Assembly 400V/50Hz/3		1
103A	JTS600-103A	Screw	M4X60	2
104	JTS600-104	Plug mounting plate		1
105	JTS600X-105	Main table		1
106	JTS600-106	Table insert		1
107	JTS600-107	Screw	M5x8	3
108	JTS600X-108	Right Extension Table		1
109	JTS600-109	Hex bolt	M8X12	6
110	JTS600-110	Washer	8	6
111	JTS600-111	Support bracket		1
112	JTS600-112	Semicircular bracket		1
113	JTS600-113	Hex socket screw	M6X16	2
114	JTS600-114	Front rail		1
114S	JTS600-114S	Scale		1
115	JTS600-115	Pan head screw	M6X16	4
116	JTS600X-116	Hex socket set screw	M6X12	6
117	JTS600X-117	Rear extension table		1

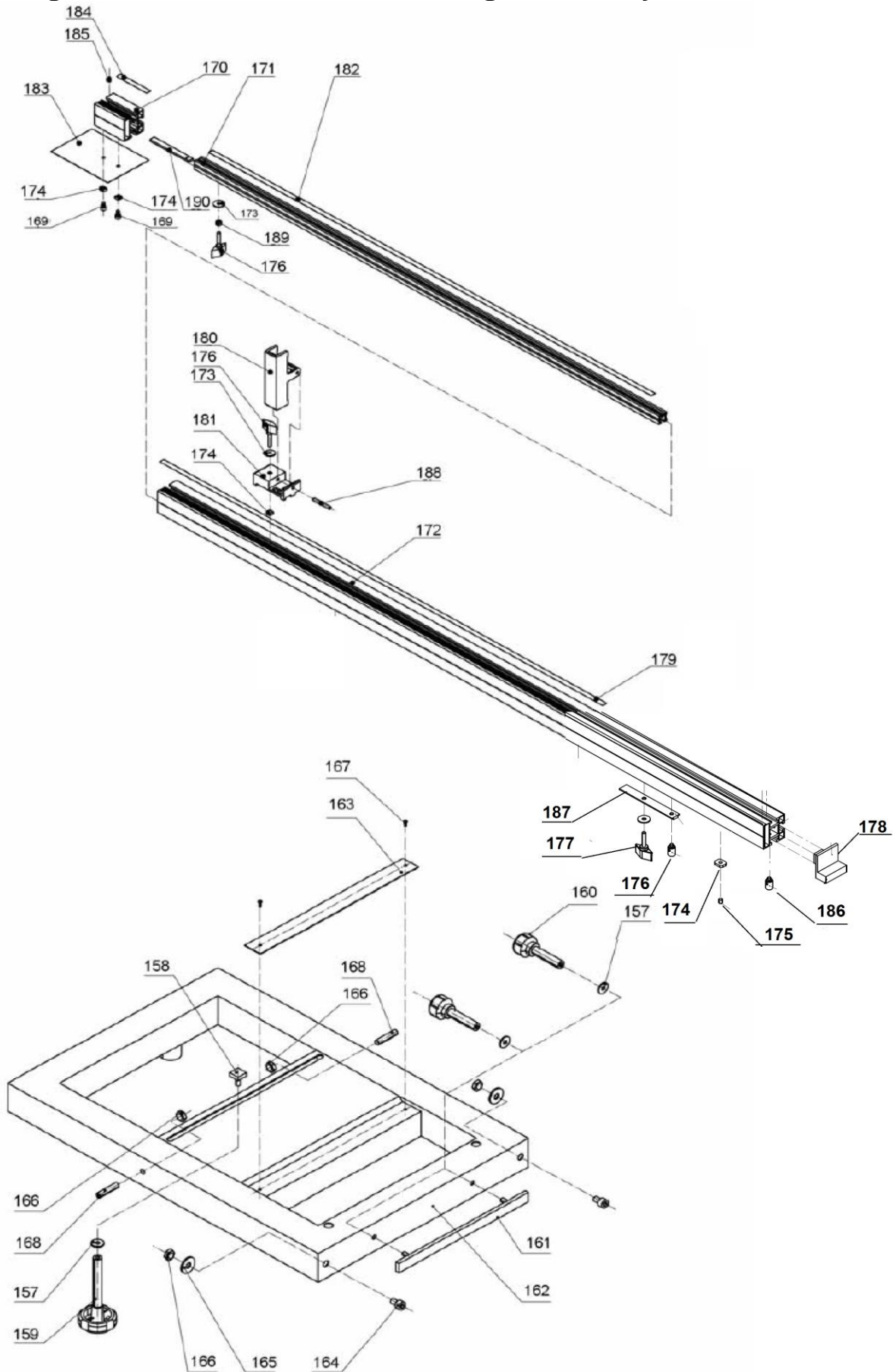
Sliding Table and Cabinet Assembly for JTS-600X



Sliding Table and Cabinet Assembly for JTS-600X

Index	Part No.	Description	Size	Qty.
118	JTS600-118	Lower arc panel		1
119	JTS600-119	Nut	M6	8
120	JTS600-120	Washer	6	8
121	JTS600-121	Hex screw	M6X15	8
122	JTS600-122	Base front panel		1
123	JTS600-123	Base rear panel		1
124	JTS600-124	Foot for arc panel		2
125	JTS600-125	Foot for side panel		2
126	JTS600-126	Base side panel		1
127	JTS600-127	Screw	M5X20	4
129	JTS600-129	Cover for sliding table		2
130	JTS600-130	Carriage bolt	M8X25	4
131	JTS600-131	Washer	8	4
132	JTS600-132	Washer	10	6
133	JTS600-133	Flange nut	M8	6
134	JTS600-134	Cap nut	M8	4
135	JTS600-135	Hex socket screw	M6X25	4
136	JTS600-136	Hex screw	M6X20	1
137	JTS600-137	Washer	6	1
138	JTS600-138	Nut	M6	1
139	JTS600-139	Square nut		1
140	JTS600-140	Knob cover		1
141	JTS600-141	Knob body		1
142	JTS600-142	Push plate		1
143	JTS600-143	Bearing tube with eccentric support		2
144	JTS600-144	Bearing tube with centric support		2
146	JTS600-146	Base support for table		1
147	JTS600-147	Sliding table		1
148	JTS600-148	Position pin		1
149	JTS600-149	Hex thin nut	M12X1.5	1
150	JTS600-150	Spring		1
151	JTS600-151	Position tube		1
152	JTS600-152	Handle rod		1
153	JTS600-153	Nut	M6	1
154	JTS600-154	Handle star knob		1
155	JTS600-155	Thin self locking nut	M8	2
156	JTS600-156	Thin nut	M8	2

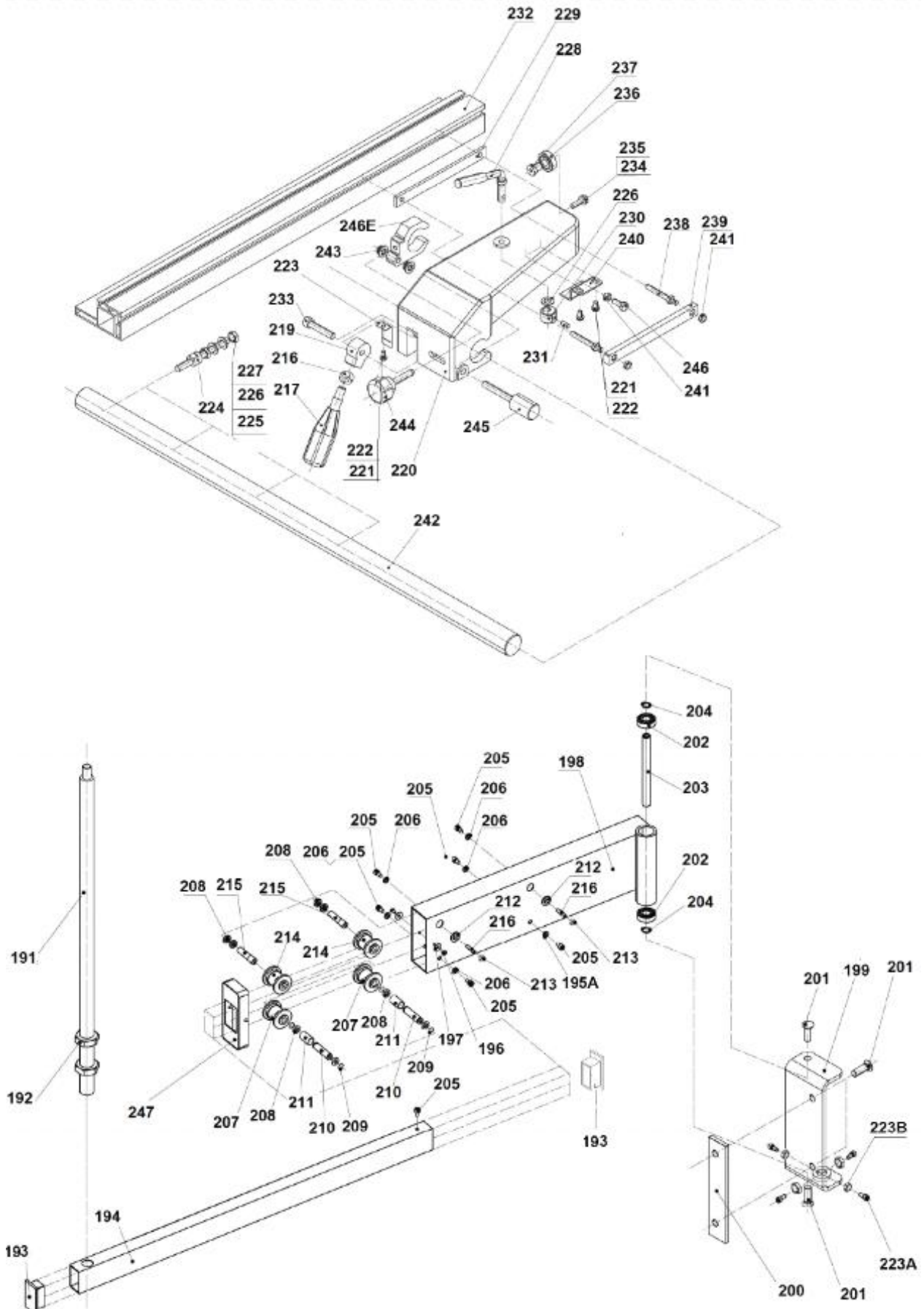
Outrigger Table and Pull-out Miter Gauge Assembly for JTS-600X



Outrigger Table and Pull-out Miter Gauge Assembly for JTS-600X

Index	Part No.	Description	Size	Qty.
157	JTS600-157	Washer	6	7
158	JTS600-158	Locking block		1
159	JTS600-159	Locking handle		1
160	JTS600-160	Locking handle		2
161	JTS600-161	Clamping plate		1
162	JTS600-162	Ext. sliding frame		1
163	JTS600-163	Angle ruler		1
164	JTS600-164	Location screw		2
165	JTS600-165	Washer	8	2
166	JTS600-166	Hex nut	M8	4
167	JTS600-167	Revit		2
168	JTS600-168	Hex socket nut	M8X40	2
169	JTS600-169	Hex socket screw	M6X12	2
170	JTS600-170	Ext. bracket for lengthened		1
171	JTS600-171	Main bracket for lengthened ruler		1
172	JTS600-172	Fence		1
173	JTS600-173	Washer	6	2
174	JTS600-174	Square nut		4
175	JTS600-175	Hex socket screw	M6X10	1
176	JTS600-176	Knob		3
177	JTS600-177	Pivot		1
178	JTS600-178	Fence cover		1
179	JTS600-179	Ruler I		1
180	JTS600-180	Location block		1
181	JTS600-181	Sliding block		1
182	JTS600-182	Ruller III		1
183	JTS600-183	Location plate		1
184	JTS600-184	Ruler II		1
185	JTS600-185	Hex socket screw	M5X6	1
186	JTS600-186	Pan head screw	ST4X6	1
187	JTS600-187	Long plate		1
188	JTS600-188	Pin	6x45	1
189	JTS600-189	Tube		1
190	JTS600-190	Fixing plate		1

Swing Arm and Rip Fence Assembly for JTS-600X



Swing Arm Assembly for JTS-600X

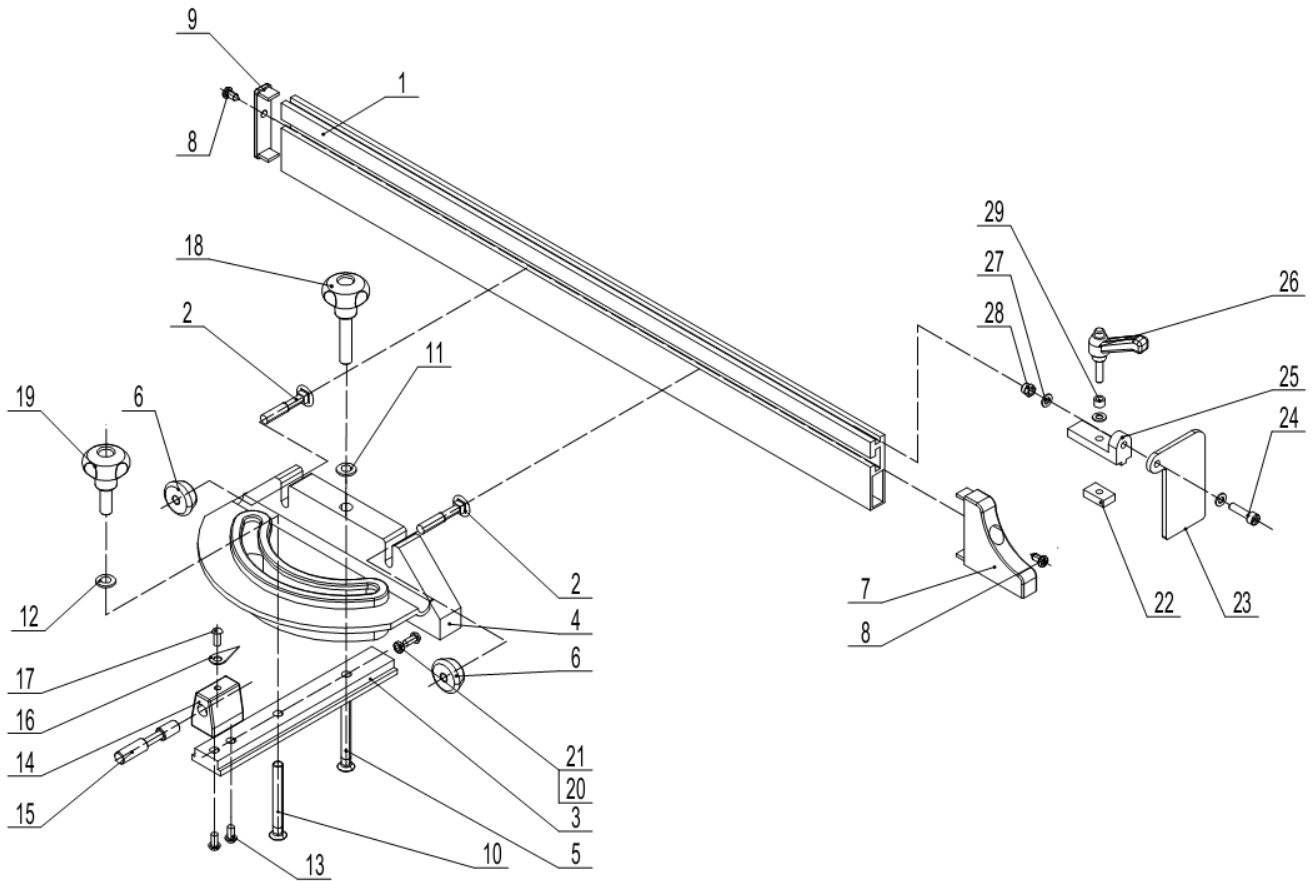
Index	Part No.	Description	Size	Qty.
191	JTS600-191	Support rod		1
192	JTS600-192	Nut	M20	2
193	JTS600-193	Tube cap		2
194	JTS600-194	Telescopic tube		1
195A	JTS600-195A	Magnetic steel		1
196	JTS600-196	Screw	M4X8	2
197	JTS600-197	Washer	5	2
198	JTS600-198	Support for telescopic tube		1
199	JTS600-199	Fixing bracket		1
200	JTS600-200	Connection plate		1
201	JTS600-201	Hex socket screw	M10X25	4
202	JTS600-202	Bearing	6202-RZ	2
203	JTS600-203	Shaft		1
204	JTS600-204	Clip ring	15	2
205	JTS600-205	Screw	M6X10	7
206	JTS600-206	Washer	M6	5
207	JTS600-207	Lower wheel		2
208	JTS600-208	Bearing	61801-RZ	8
209	JTS600-209	Clip ring	12	4
210	JTS600-210	Shaft		2
211	JTS600-211	Tube		2
212	JTS600-212	Outside baffle		2
213	JTS600-213	Nut	M6	2
214	JTS600-214	Upper wheel		2
215	JTS600-215	Eccentric shaft		2
216	JTS600-216	Hex socket screw	M6X25	2
217	JTS600-217	Locking handle		1
218	JTS600-218	Nut	M10	1
219	JTS600-219	Cam		1
219A	JTS600-219A	Cam & handle assembly(#217, Thu 219)		1
223A	JTS600-223A	Screw	M6X30	4
223B	JTS600-223B	Nut	M6	4

Rip Fence Assembly for JTS-600X

Index	Part No.	Description	Size	Qty.
	JTS600-216-246E	Rip fence Assembly(#220 thru #247)		1
220	JTS600-220	Rip fence bracket		1
221	JTS600-221	Screw	M5X8	3
222	JTS600-222	Washer	5	3
223	JTS600-223	Clip spring		1
224	JTS600-224	Stud		4
225	JTS600-225	Nut	M8	4
226	JTS600-226	Washer	8	9
227	JTS600-227	Nut	M8	4
228	JTS600-228	Handle		1
229	JTS600-229	Locking plate I		1
230	JTS600-230	Locking cam wheel		1
231	JTS600-231	Hex socket srcew	M8X18	1
232	JTS600-232	L-shape rip fence		1
233	JTS600-233	Hex socket srcew	M8X40	1
234	JTS600-234	Hex screw	M6X20	1
235	JTS600-235	Washer	6	1
236	JTS600-236	Bearing	6000-RZ	1
237	JTS600-237	Bearing bracket		1
238	JTS600-238	Locking screw		2
239	JTS600-239	Locking plate II		1
240	JTS600-240	Support plate		1
241	JTS600-241	Hex nut	M6	5
242	JTS600-242	Fence bracket rail		1
243	JTS600-243	Self locking nut	M8	2
244	JTS600-244	Star locking handle		1
245	JTS600-245	Micro adjust handle		1
246	JTS600-246	Hex screw	M6X16	1
246E	JTS600-246E	Clamping bracket		1
247	JTS600-247	Insert, Swing Arm		1

Mitre Gauge Assembly for JTS-600X-----Optional Accessory

Stock Number: 1000073



Mitre Gauge Assembly for JTS-600X-----Optional Accessory

Stock Number: 10000073

Index	Part No.	Description	Size	Qty.
1	JTS600XL-MG1	Mitre fence profil		1
2	JTS600XL-MG2	Carriage bolt	M6X30	2
3	JTS600XL-MG3	T-Bar		1
4	JTS600XL-MG4	Mitre Gauge		1
5	JTS600XL-MG5	Pan Head Srcew	M6x70	1
6	JTS600XL-MG6	Knurled Nut		2
7	JTS600XL-MG7	Right Cover for fip fence		1
8	JTS600XL-MG8	Self Tapping Screw		2
9	JTS600XL-MG9	Left Cover for fip Fence		1
10	JTS600XL-MG10	Pan Head Screw	M6X50	1
11	JTS600XL-MG11	Washer	6	1
12	JTS600XL-MG12	Washer	6	2
13	JTS600XL-MG13	Srcew	M4x12	2
14	JTS600XL-MG14	Indicator Bracket		1
15	JTS600XL-MG15	Location Pin		1
16	JTS600XL-MG16	Indicator		1
17	JTS600XL-MG17	Screw	M4x8	1
18	JTS600XL-MG18	Handle		1
19	JTS600XL-MG19	Handle		1
20	JTS600XL-MG20	Nut	M4	3
21	JTS600XL-MG21	Screw	M4x16	3
22	JTS600XL-MG22	Square Nut		1
23	JTS600XL-MG23	Stoper		1
24	JTS600XL-MG24	Set Screw	M5x20	1
25	JTS600XL-MG25	Stoper Breaket		1
26	JTS600XL-MG26	Locking Handle		1
27	JTS600XL-MG27	Washer	5	3
28	JTS600XL-MG28	Nylon Nut	M5	1
29	JTS600XL-MG29	Sleeve		1

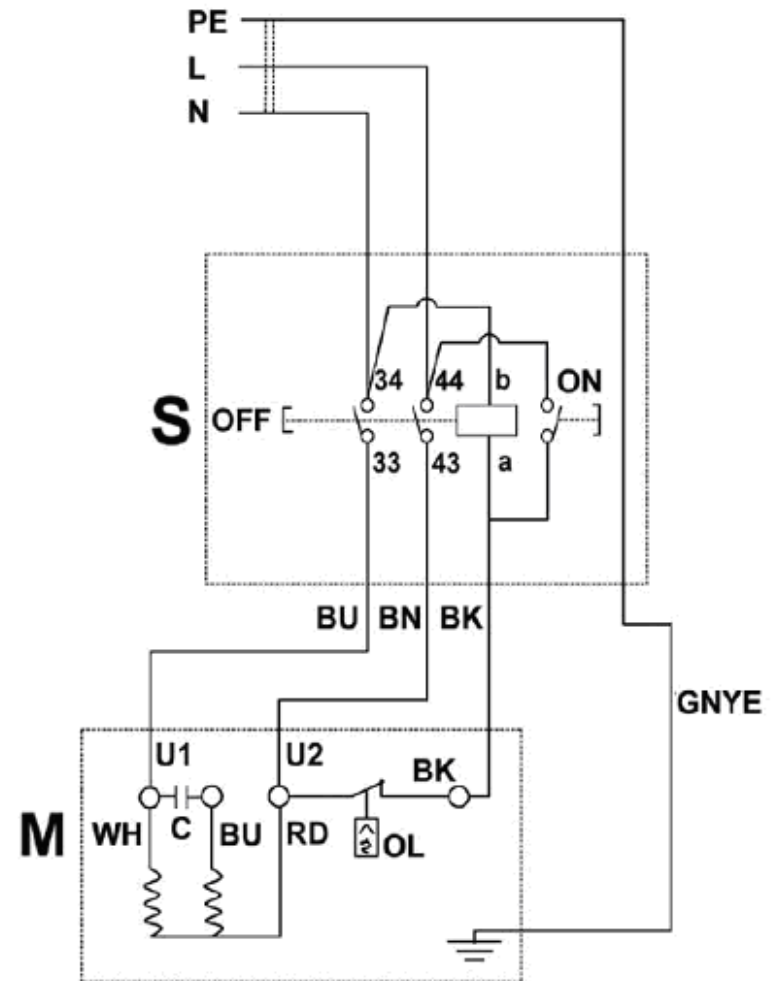
JTS-600X

1000060XM

230/50/1

	colour of strands	Litzenfarben	couleur des cordons
BK	black	schwarz	noir
WH	white	weiß	blanc
BU	blue	blau	bleu
YE	yellow	gelb	jaune
RD	red	rot	rouge
BN	brown	braun	brun
GY	grey	grau	gris
GNYE	green-yellow	grün-gelb	vert-jaune
OG	orange	orange	orange
VT	violet	violett	violet

	meaning of symbol	Bedeutung der Zeichen	interprétation
M	motor	Motor	moteur
S	switch	Schalter	interrupteur
C	condenser	Kondensator	condensateur
OL	overload cut-off	Überlastschutzschalter	déclencheur surcharge



JTS-600X

10000060XT

400/50/3

	colour of strands	Litzenfarben	couleur des cordons
BK	black	schwarz	noir
WH	white	weiß	blanc
BU	blue	blau	bleu
YE	yellow	gelb	jaune
RD	red	rot	rouge
BN	brown	braun	brun
GY	grey	grau	gris
GNYE	green-yellow	grün-gelb	vert-jaune
OG	orange	orange	orange
VT	violet	violett	violet

	meaning of symbol	Bedeutung der Zeichen	interprétation
M	motor	Motor	moteur
S	switch	Schalter	interrupteur
C	condenser	Kondensator	condensateur
OL	overload cut-off	Überlastschuttschalter	déclencheur surcharge

