



JRT-2

Router Table

10000791M ~230V 50/60Hz

PARTS LIST

For machines with serial no. 2019010001 and higher

TOOL FRANCE SARL

9 Rue des Pyrénées , 91090 LISSES, France

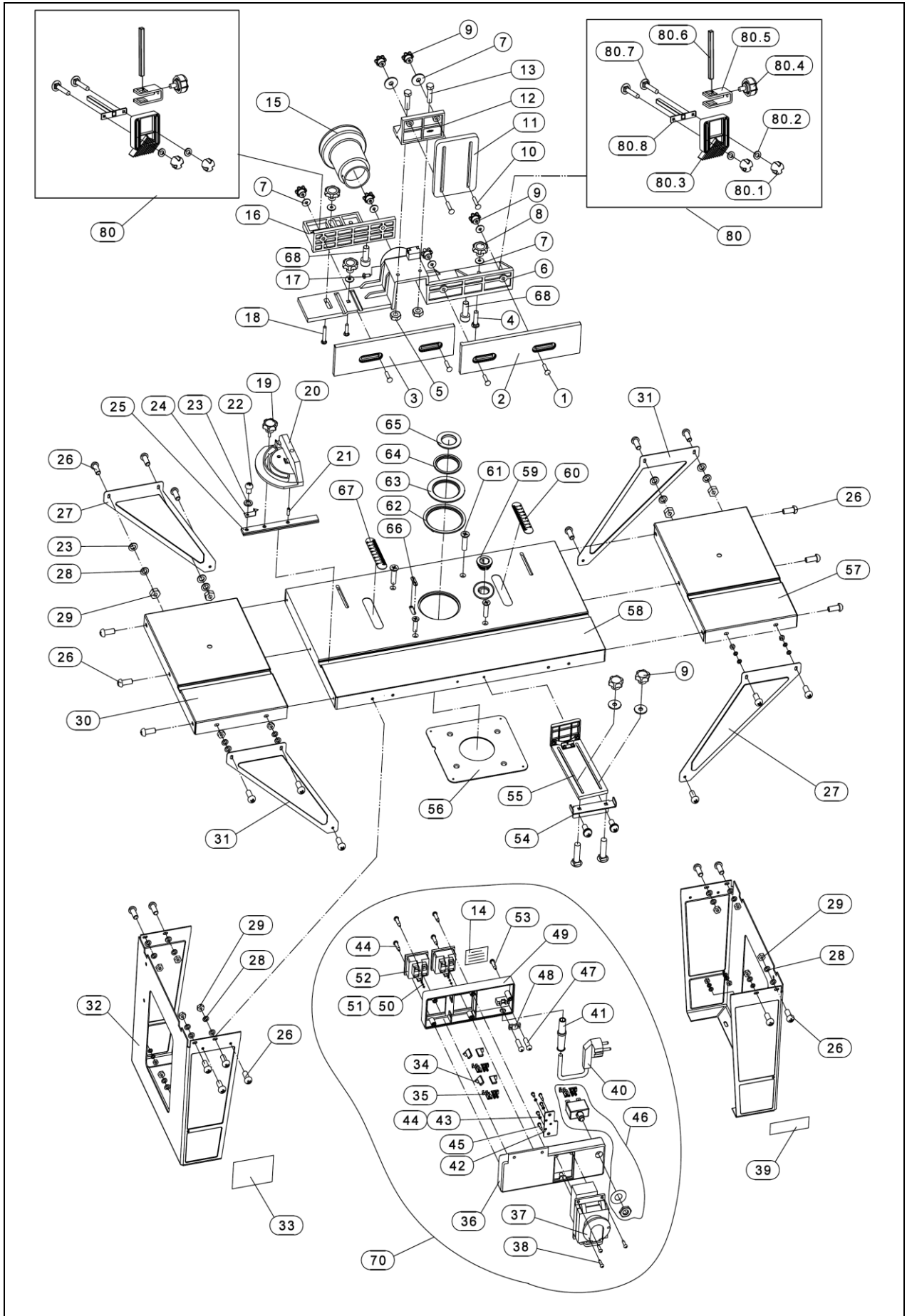
www.jettools.com

P-10000791M

2019-02



Parts Breakdown for JRT-2 Router Table



Parts List for JRT-2 Router Table

Index No.	Part No.	Description	Size	Qty.
1	JRT2-001	Carriage Bolt	M6X25	3
2	JRT2-002	Right Fence		1
3	JRT2-003	Left Fence		1
4	JRT2-004	Carriage Bolt	M6x40	1
5	JRT2-005	Locking Nut	M5	2
6	JRT2-006	Guide Fence A		1
7	JRT2-007	Flat Washer	6	9
8	JRT2-008	Knob A		3
9	JRT2-009	Knob B		8
10	JRT2-010	Carriage Bolt	M6x30	2
11	JRT2-011	Guide Plate		1
12	JRT2-012	Guide Plate Base		1
13	JRT2-013	Hex Cap Screw	M6x30	2
14	JRT2-014	Warning Label		1
15	JRT2-015	Adaptor		1
16	JRT2-016	Guide Fence B		1
17	JRT2-017	Self-Tapping Screw	ST4.2x9.5	1
18	JRT2-018	Carriage Bolt	M6x40	1
19	JRT2-019	Knob		1
20	JRT2-020	Miter gauge		1
21	JRT2-021	Pin		1
22	JRT2-022	Pan Head Screw	M5x8	1
23	JRT2-023	Washer	5	24
24	JRT2-024	Pointer		1
25	JRT2-025	T-Bar		1
26	JRT2-026	Pan Head Screw	M5x16	30
27	JRT2-027	Table Wing Support A		2
28	JRT2-028	Spring Washer	5	30
29	JRT2-029	Nut	M5	22
30	JRT2-030	Table Wing (Left)		1
31	JRT2-031	Table Wing Support B		2
32	JRT2-032	Table Stand		2
33	JRT2-033	ID Label		1
34	JRT2-034	Terminal sheath		6
35	JRT2-035	Terminal		6
36	JRT2-036	Switch Box A		1
37	JRT2-037	Switch	KJD12	2
38	JRT2-038	Self-Tapping Screw	ST3.5x12	3
39	JET-LOGO	JET-92		1
40	JRT2-040	Power Cord		1
41	JRT2-041	Protecting Brush		1
42	JRT2-042	Grounding Plate		1
43	JRT2-043	Pan Head Screw	M4x6	3
44	JRT2-044	Washer		1
45	JRT2-045	Self-Tapping Screw	ST3.9x12	2
46	JRT2-046	Fuse	12A	1
47	JRT2-047	Pan Head Screw	M4x10	2
48	JRT2-048	Circuit Board		1
49	JRT2-049	Switch Box B		1
50	JRT2-050	Spring Washer	4	1
51	JRT2-051	Tooth Washer	4	6
52	JRT2-052	Plug	16A	2
53	JRT2-053	Self-Tapping Screw	ST3.2x16	5
54	JRT2-054	Angle Iron		1
55	JRT2-055A	Clamp A		1
56	JRT2-056	Fix Plate		1

Parts List for JRT-2 Router Table

Index No.	Part No.	Description	Size	Qty.
57	JRT2-057	Table Wing (Right)		1
58	JRT2-058	Table		1
59	JRT2-059	Brush		1
60	JRT2-060	Scale A		1
61	JRT2-061	Socket Head Flat Screw	M5x20	4
62	JRT2-062	Table Inset A		1
63	JRT2-063	Table Inset B	6	9
64	JRT2-064	Table Inset C		3
65	JRT2-065	Table Inset D		4
66	JRT2-066	Rotate Label		1
67	JRT2-067	Scale B		1
68	JRT2-068	Socket Head Screw	M6x16	2
70	JRT2-070	Switch & Power Cord Assembly (#14,#34 thru 53)		1
80	JRT1-038	Feather Board Assembly (#80.1 thru 80.8)		2
80.1	JRT1-038.1	Knob	M6	4
80.2	JRT1-038.2	Flat Washer	6mm	4
80.3	JRT1-038.3	Feather Board		2
80.4	JRT1-038.4	Knob		2
80.5	JRT1-038.5	Fixed Mount		2
80.6	JRT1-038.6	Bracket A		2
80.7	JRT1-038.7	Square Screw		4
80.8	JRT1-038.8	Bracket B		2

Wiring Diagram for JRT-2 Router Table

10000791M..... ~ 230V, 50/60Hz

	colour of strands	Litzenfarben	couleur des cordons
BK	black	schwarz	noir
WH	white	weiß	blanc
BU	blue	blau	bleu
YE	yellow	gelb	jaune
RD	red	rot	rouge
BN	brown	braun	brun
GY	grey	grau	gris
GNYE	green-yellow	grün-gelb	vert-jaune
OG	orange	orange	orange
VT	violet	violett	violet

	meaning of symbol	Bedeutung der Zeichen	interprétation
M	motor	Motor	moteur
S	switch	Schalter	interrupteur
C	condenser	Kondensator	condensateur
E	electronic unit	Elektronik Einheit	unité électronique
F	fuse	Sicherung	fusible
RS	reversing switch	Drehrichtungsschalter	commu. droite/gauche
S	centrifugal switch	Fliehkraftschalter	déclencheur centrifuge
OL	overload cut-off	Überlastschutzschalter	déclencheur surcharge
LS	limit switch	Positionsendschalter	micro

